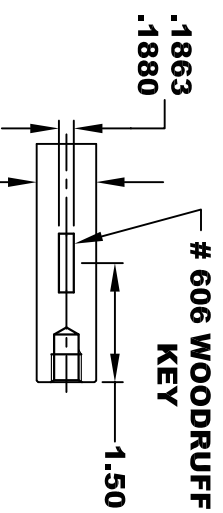
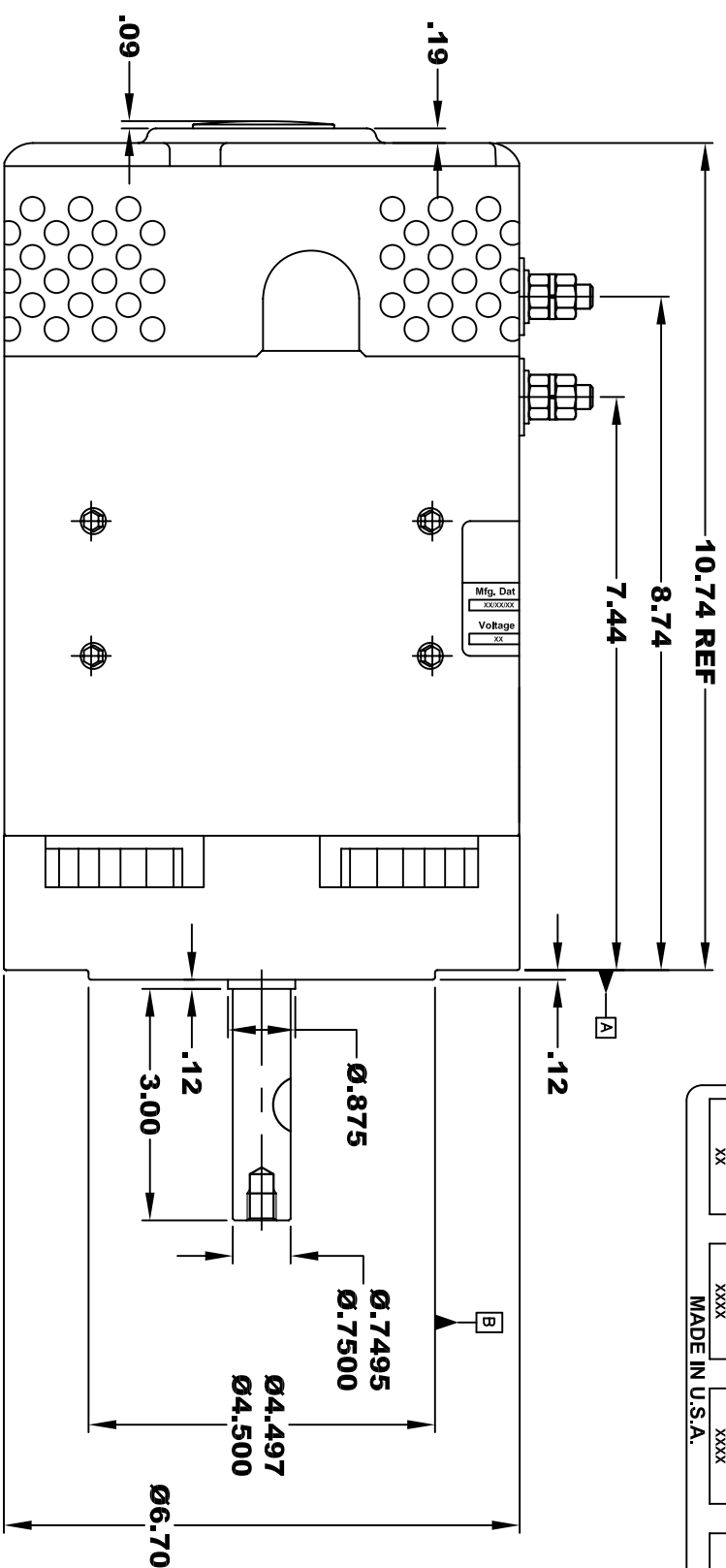


**D&D MOTOR SYSTEMS INC.
SYRACUSE N.Y.**

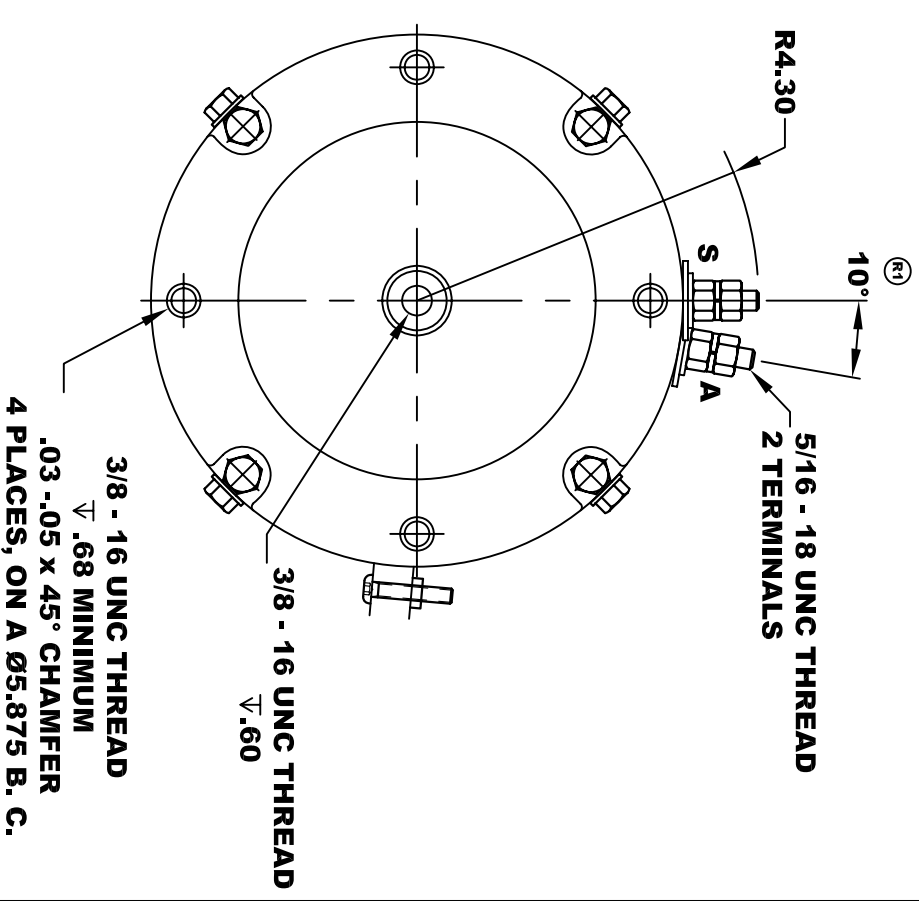
Model # ES-26A

Mfg. Date XX/XX/XX	Serial # XXXX	Rating CLASS-H	Duty S2-XX MIN
Voltage XX	Current XXXX	R.P.M. XXXX	H.P. XX
MADE IN U.S.A.			

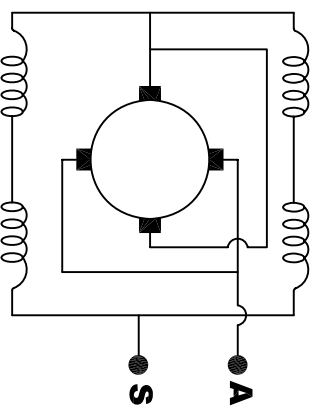
**TORQUE SPECIFICATION FOR
POWER CABLE SECURING TOP NUTS
5/16-18 UNC - 110 IN / LBS MAX**



	Ø .004	A
	.004	B



**MOTOR WEIGHT: 50 LBS
CLASS "H" INSULATION
PERFORMANCE SPEC: 40**



ELECTRICAL WIRING DIAGRAM

MOTOR WIRING CONNECTIONS:

**CGW ROTATION DRIVE END
CONNECT ONE POWER CABLE TO TERMINAL A
CONNECT THE OTHER POWER CABLE TO TERMINAL S**

THIS PRINT IS THE PROPERTY OF D&D MOTOR SYSTEMS INC.
DO NOT SCALE
WORK TO DIMENSIONS
TOLERANCES UNLESS OTHERWISE SPECIFIED ARE AS FOLLOWS

.XX _____ .01
.XXX _____ .005
.XX ROUGH CASTING _____ .03
HOLES _____ -.001 / +.006
ANGLES _____ 0°30"

D & D MOTOR SYSTEMS INC

MOTOR OUTLINE

SIZE	DRAWN DATE	RELEASE DATE	DWG NO. / PART NO.	REV
B	5-6-03		ES-26A	R1
SCALE	STF	DRAWN BY	MJG	REV DATE
				2-3-04