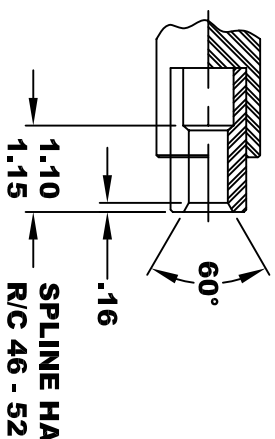
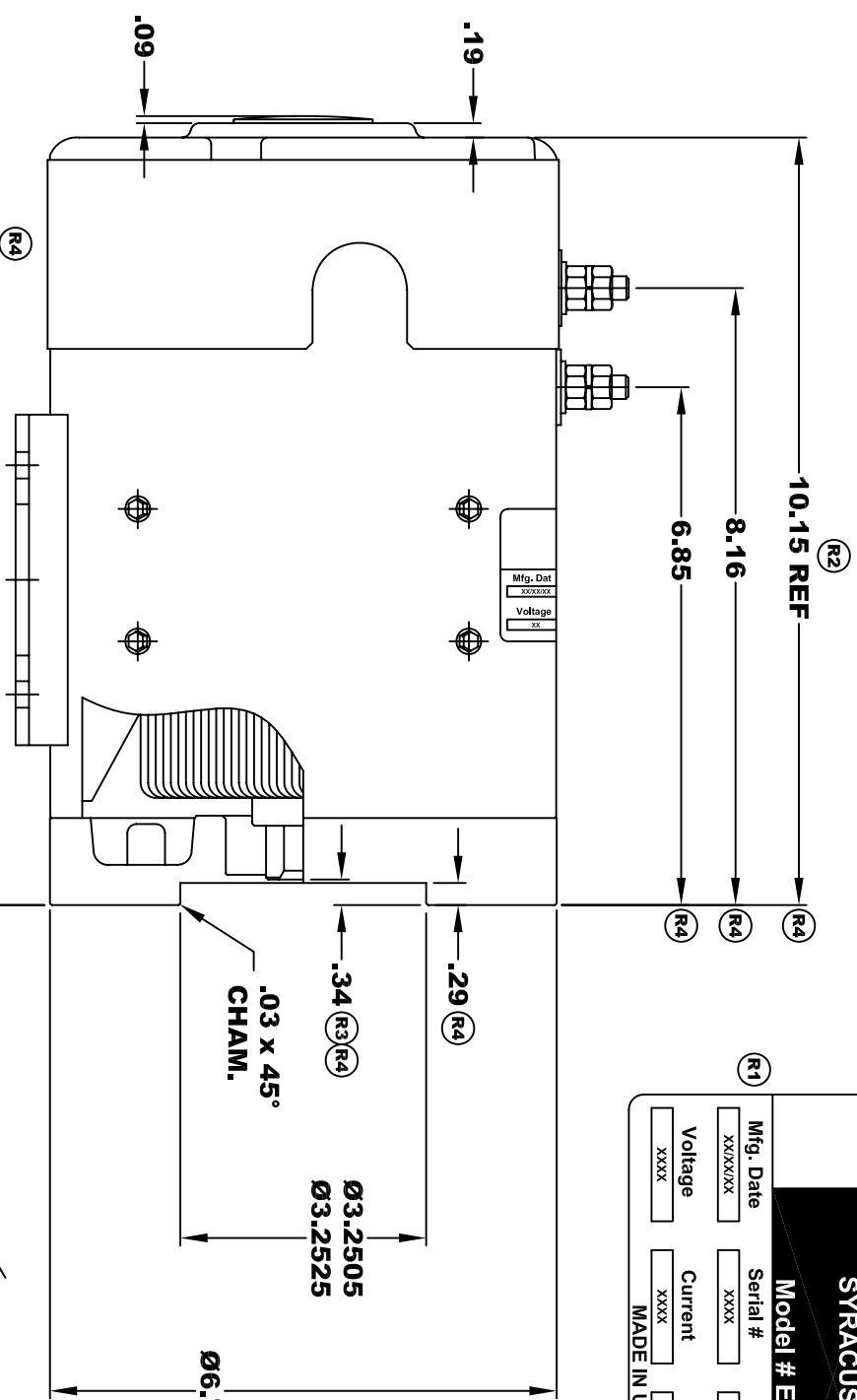


D&D MOTOR SYSTEMS INC.
SYRACUSE N.Y.

Model # ES-27A

Mfg. Date XXXX/XX	Serial # XXXX	Rating Class H	Duty S2-60 MIN
Voltage XXXX	Current XXXX	R.P.M. XXXX	H.P. XXXX
MADE IN U.S.A.			

**TORQUE SPECIFICATION FOR
 POWER CABLE SECURING TOP NUTS
 5/16-18 UNC - 110 IN / LBS MAX**

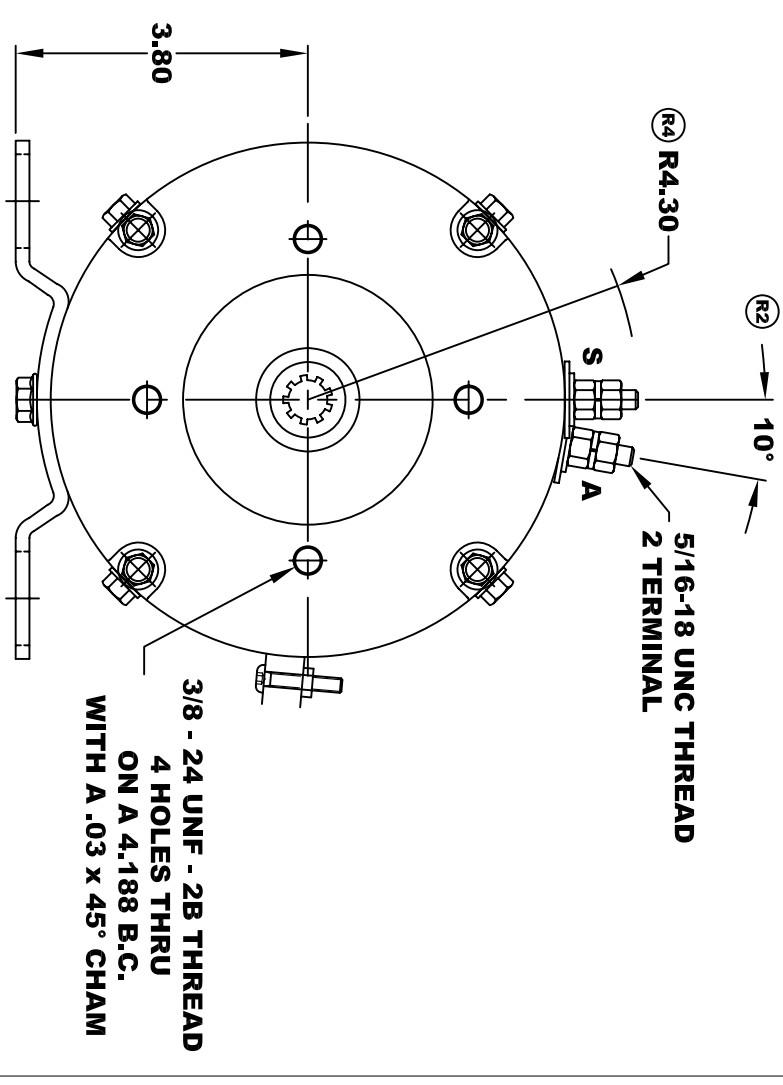


**INTERNAL INVOLUTE SPLINE SPECIFICATION
 FLAT ROOT SIDE FIT (PER A.N.S.I. B92.1 CLASS 5)**

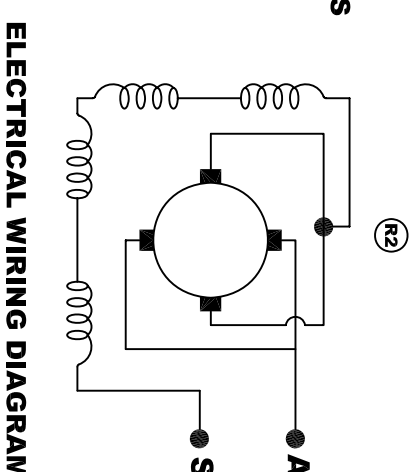
NO. OF TEETH _____ 9
 SPLINE PITCH _____ 16 / 32
 PRESSURE ANGLE _____ 30°
 BASE Ø _____ .4871 REF
 PITCH Ø _____ .5625 REF
 MAJOR Ø _____ .651
 FORM Ø _____ .629
 MINOR Ø _____ .509 - .514

⊙	.010	A
⊙	.010	B

CIRCULAR SPACE WIDTH
 MAX ACTUAL _____ .1008
 MIN EFFECTIVE _____ .0982
 MAX DIMENSION BETWEEN
 TWO PINS _____ .3972
 PIN Ø _____ .1080



**MOTOR WEIGHT: XX LBS
 CLASS "H" INSULATION
 PERFORMANCE SPEC: 3**



ELECTRICAL WIRING DIAGRAM

**MOTOR WIRING CONNECTIONS:
 CCW ROTATION DRIVE END
 CONNECT ONE POWER CABLE TO TERMINAL A
 CONNECT THE OTHER POWER CABLE TO TERMINAL S**

D & D MOTOR SYSTEMS INC

MOTOR OUTLINE

THIS PRINT IS THE PROPERTY OF D&D MOTOR SYSTEMS INC.
 DO NOT SCALE
 WORK TO DIMENSIONS
 TOLERANCES UNLESS OTHERWISE SPECIFIED ARE AS FOLLOWS
 .XX _____ .01
 .XXX _____ .005
 .XX ROUGH CASTING _____ .03
 HOLES _____ -.001 / +.006
 ANGLES _____ 0°30"

SIZE	DRAWN DATE	RELEASE DATE	DWG NO. / PART NO.	REV
B	7-19-02		ES-27A	R4
SCALE	STF	DRAWN BY	MJG	REV DATE
				2-18-16