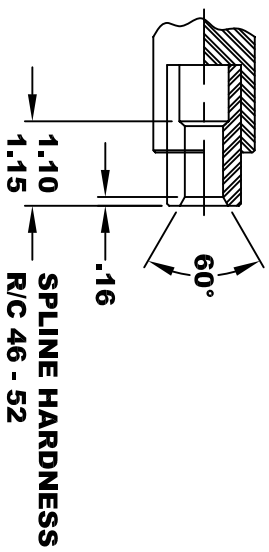
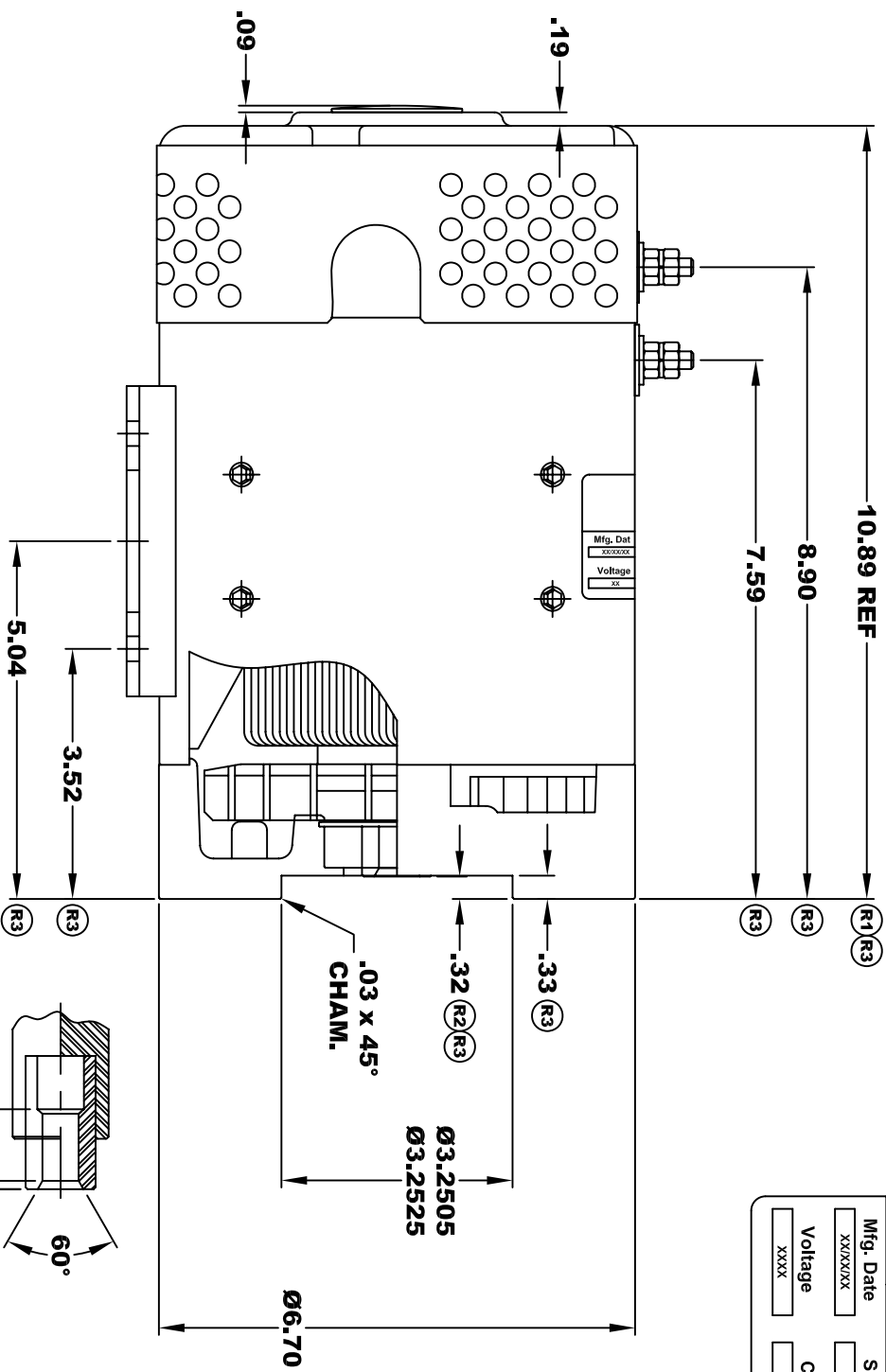


D&D MOTOR SYSTEMS INC. SYRACUSE N.Y.			
Model # ES-27B			
Mfg. Date	Serial #	Rating	Duty
XX/XX/XX	XXXX	Class H	S2-60 MIN
Voltage	Current	R.P.M.	H.P.
XXXX	XXXX	XXXX	XXXX
MADE IN U.S.A.			

**TORQUE SPECIFICATION FOR
POWER CABLE SECURING TOP NUTS**
5/16-18 UNC - 110 IN / LBS MAX

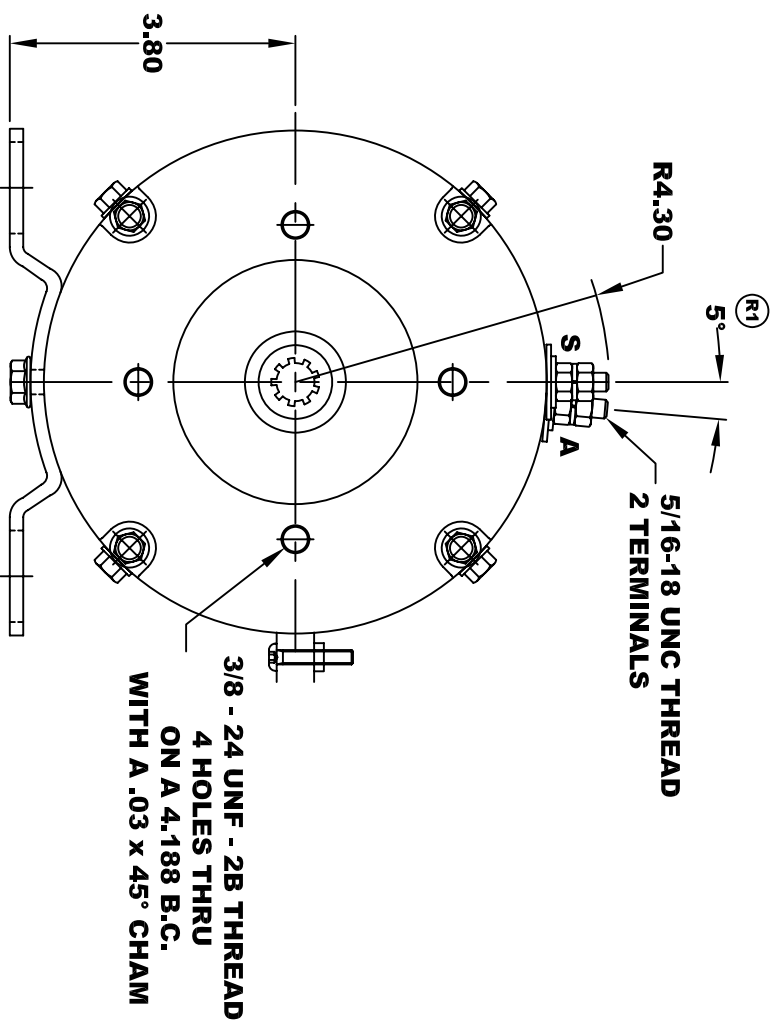


INTERNAL INVOLUTE SPLINE SPECIFICATION
FLAT ROOT SIDE FIT (PER A.N.S.I. B92.1 CLASS 5)

NO. OF TEETH _____ 9
 SPLINE PITCH _____ 16 / 32
 PRESSURE ANGLE _____ 30°
 BASE Ø _____ .4871 REF
 PITCH Ø _____ .5625 REF
 MAJOR Ø _____ .651
 FORM Ø _____ .629
 MINOR Ø _____ .509 - .514

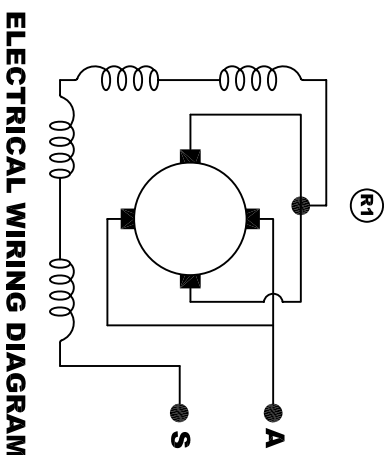
⊙	.010	A
⊙	.010	B

CIRCULAR SPACE WIDTH
 MAX ACTUAL _____ .1008
 MIN EFFECTIVE _____ .0982
 MAX DIMENSION BETWEEN
 TWO PINS _____ .3972
 PIN Ø _____ .1080



MOTOR WEIGHT: 53 LBS
 CLASS "H" INSULATION
 PERFORMANCE SPEC: 3

MOTOR WIRING CONNECTIONS:
 CW ROTATION DRIVE END
 CONNECT ONE POWER CABLE TO TERMINAL A
 CONNECT THE OTHER POWER CABLE TO TERMINAL S



ELECTRICAL WIRING DIAGRAM

THIS PRINT IS THE PROPERTY OF D&D MOTOR SYSTEMS INC.

DO NOT SCALE

WORK TO DIMENSIONS

TOLERANCES UNLESS OTHERWISE SPECIFIED ARE AS FOLLOWS

.XX _____ .01
 .XXX _____ .005
 .XX ROUGH CASTING _____ .03
 HOLES _____ -.001 / +.006
 ANGLES _____ 0°30"

D & D MOTOR SYSTEMS INC

MOTOR OUTLINE

SIZE	DRAWN DATE	RELEASE DATE	DWG NO. / PART NO.	REV
B	12-19-03		ES-27B	R3
SCALE	STF	DRAWN BY	MJG	REV DATE
				2-18-16