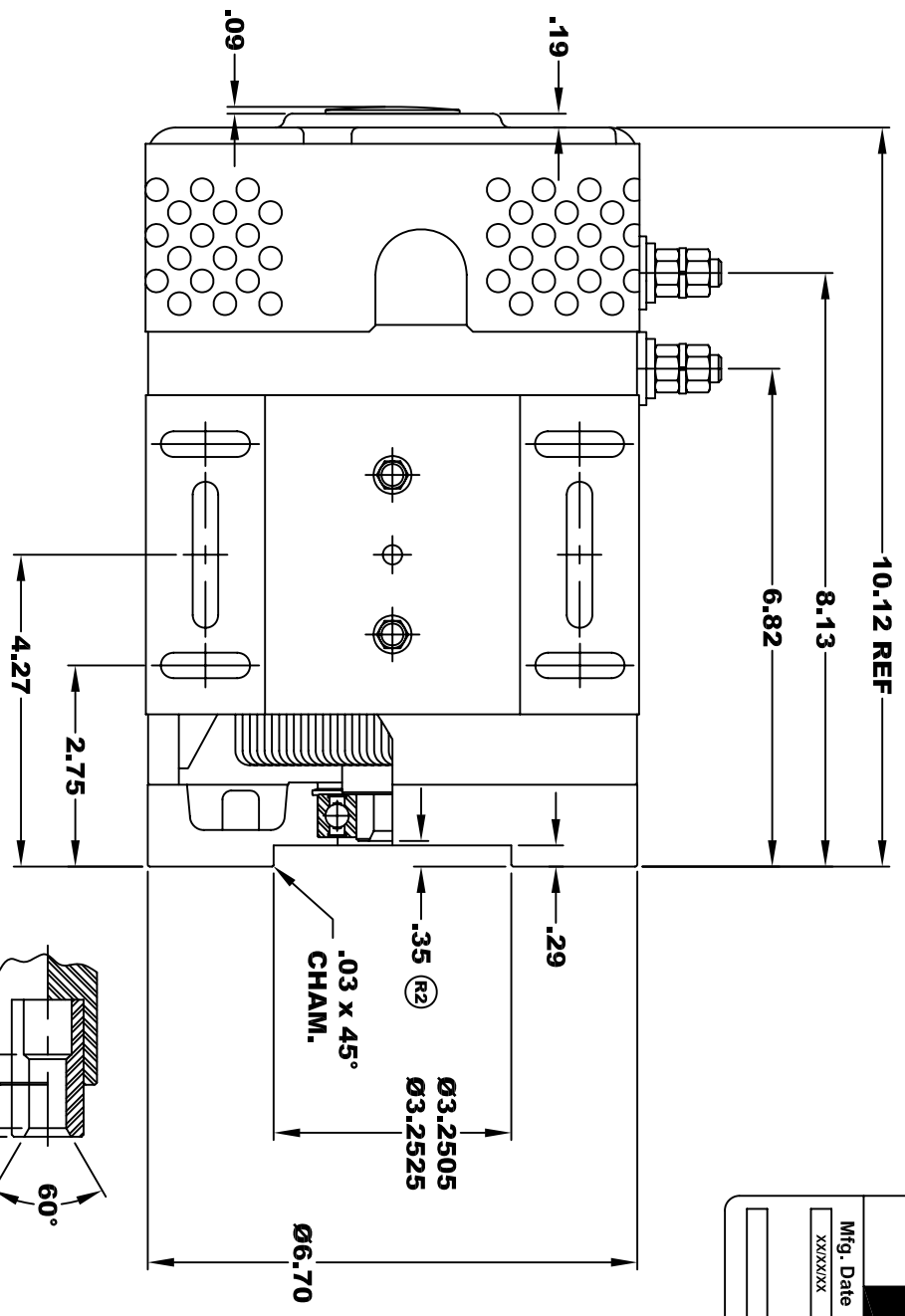
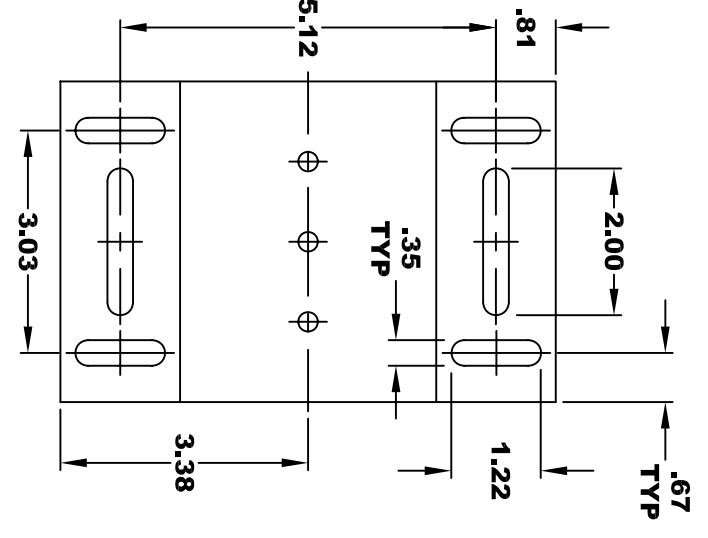


R1 REVISED VIEW



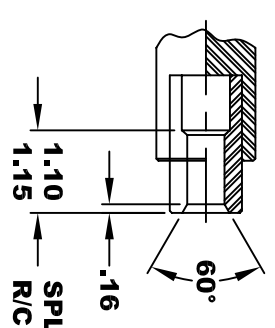
D&D MOTOR SYSTEMS INC.			
SYRACUSE N.Y.			
Model # ES-27C-2			
Mfg. Date XX/XX/XX	Serial # XXXX	Rating CLASS -H	Voltage 24
MADE IN U.S.A.			



**INTERNAL INVOLUTE SPLINE SPECIFICATION
FLAT ROOT SIDE FIT (PER A.N.S.I. B92.1 CLASS 5)**

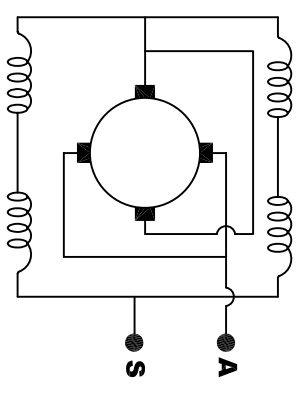
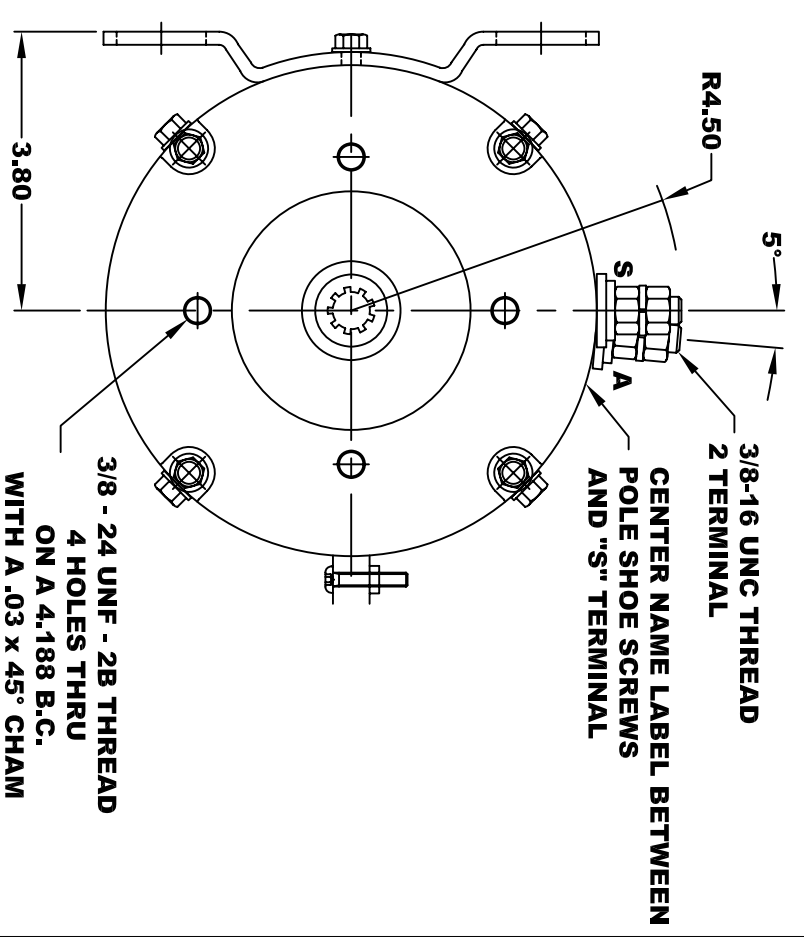
- NO. OF TEETH _____ 9
 - SPLINE PITCH _____ 16 / 32
 - PRESSURE ANGLE _____ 30°
 - BASE Ø _____ .4871 REF
 - PITCH Ø _____ .5625 REF
 - MAJOR Ø _____ .651
 - FORM Ø _____ .629
 - MINOR Ø _____ .509 - .514
- CIRCULAR SPACE WIDTH**
- MAX ACTUAL _____ .1008
 - MIN EFFECTIVE _____ .0982
 - MAX DIMENSION BETWEEN TWO PINS _____ .3972
 - PIN Ø _____ .1080

	.010	A
	.010	B



**SPLINE HARDNESS
R/C 46 - 52**

**TORQUE SPECIFICATION FOR
POWER CABLE SECURING TOP NUTS
3/8-16 UNC - 140 IN / LBS MAX**



ELECTRICAL WIRING DIAGRAM

**MOTOR WIRING CONNECTIONS:
CGW ROTATION DRIVE END
CONNECT ONE POWER CABLE TO TERMINAL A
CONNECT THE OTHER POWER CABLE TO TERMINAL S**

**MOTOR WEIGHT: XX LBS
CLASS "H" INSULATION
PERFORMANCE SPEC: 2**

THIS PRINT IS THE PROPERTY OF D&D MOTOR SYSTEMS INC.
DO NOT SCALE
WORK TO DIMENSIONS
TOLERANCES UNLESS OTHERWISE SPECIFIED ARE AS FOLLOWS

.XX _____ .01
.XXX _____ .005
.XX ROUGH CASTING _____ .03
HOLES _____ -.001 / +.006
ANGLES _____ 0°30"

D & D MOTOR SYSTEMS INC			
MOTOR OUTLINE			
SIZE	DRAWN DATE	RELEASE DATE	DWG NO. / PART NO.
B	10-19-04		ES-27C-2
SCALE	STF	DRAWN BY	MJG
			REV DATE
			10-22-13
			REV
			R2