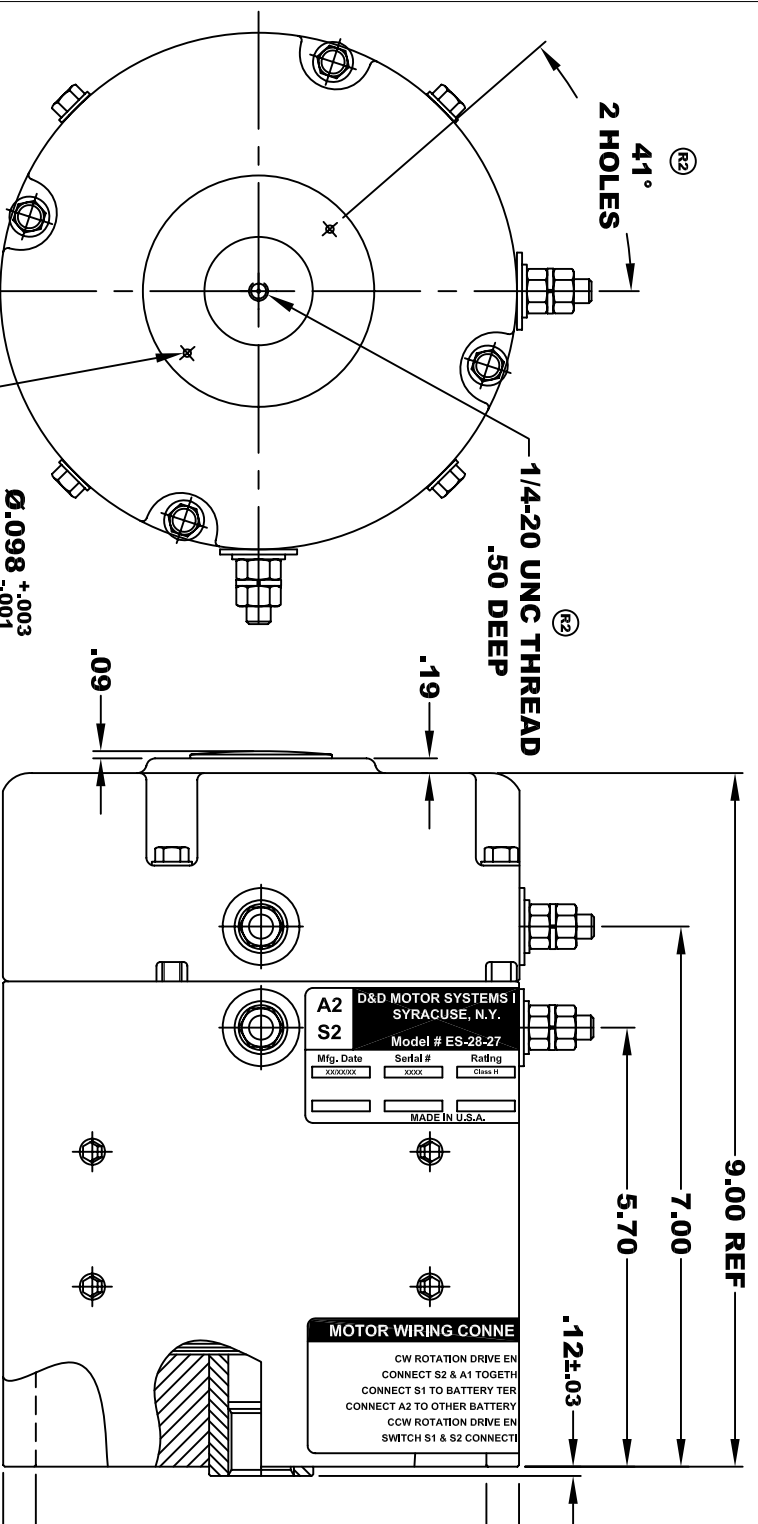
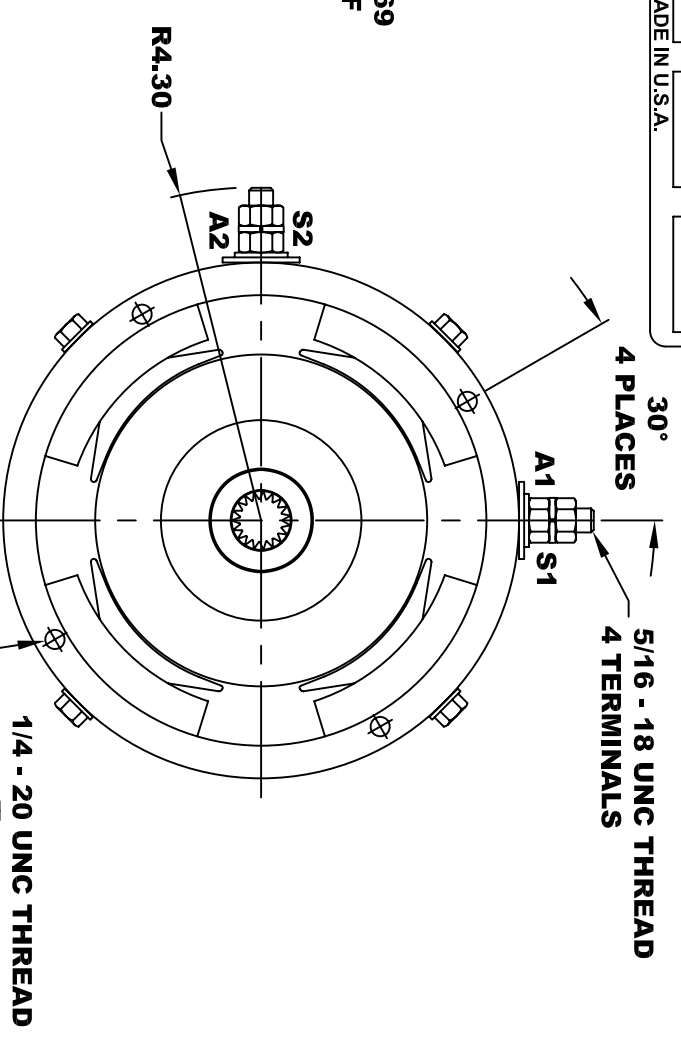


**R1 REVISED VIEW**



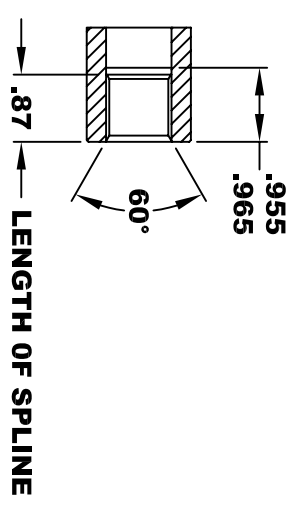
<b>A2</b>	<b>D&amp;D MOTOR SYSTEMS INC.</b>			<b>A1</b>
<b>S2</b>	<b>SYRACUSE N.Y.</b>			<b>S1</b>
<b>Model # ES-28-27</b>				
Mfg. Date	Serial #	Rating	Voltage	
XXXXXX	XXXX	CLASS H	36 / 48	
MADE IN U.S.A.				

**TORQUE SPECIFICATION FOR POWER CABLE SECURING TOP NUTS 5/16-18 UNC - 110 IN / LBS MAX**

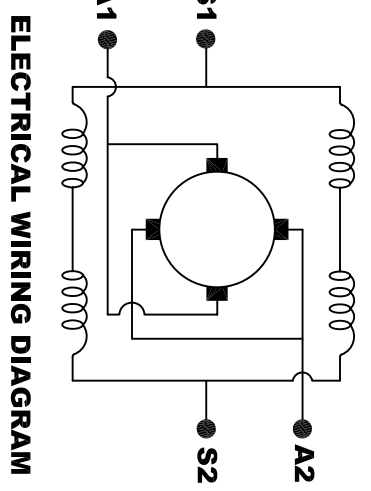


**INTERNAL INVOLUTE SPLINE SPECIFICATION CLASS 5 FILLET ROOT SIDE FIT (PER A.N.S.I. B92.1)**

- NO. OF TEETH \_\_\_\_\_ 19
- SPLINE PITCH \_\_\_\_\_ 24 / 48
- PRESSURE ANGLE \_\_\_\_\_ 45°
- BASE Ø \_\_\_\_\_ .5597 REF
- PITCH Ø \_\_\_\_\_ .7916 REF
- MAJOR Ø \_\_\_\_\_ .850 - .859
- FORM Ø \_\_\_\_\_ .835
- MINOR Ø \_\_\_\_\_ .767 - .772
- CIRCULAR SPACE WIDTH \_\_\_\_\_ .0764
- EFFECTIVE SPACE WIDTH \_\_\_\_\_ .0738
- MAX. DIMENSION BETWEEN \_\_\_\_\_
- TWO PINS \_\_\_\_\_ .6714
- PIN Ø \_\_\_\_\_ .0800
- SPLINE HARDNESS TO BE R/C 26-34



**MOTOR WEIGHT: 46 LBS**  
**CLASS "H" INSULATION**  
**PERFORMANCE SPEC: 27**



**MOTOR WIRING CONNECTIONS:**  
**CW ROTATION DRIVE END**  
**CONNECT S2 & A1 TOGETHER**  
**CONNECT S1 TO BATTERY TERMINAL**  
**CONNECT A2 TO OTHER BATTERY TERMINAL**  
**CCW ROTATION DRIVE END**  
**SWITCH S1 & S2 CONNECTIONS**

**D & D MOTOR SYSTEMS INC**  
**MOTOR OUTLINE**

THIS PRINT IS THE PROPERTY OF D&D MOTOR SYSTEMS INC.  
 DO NOT SCALE  
 WORK TO DIMENSIONS  
 TOLERANCES UNLESS OTHERWISE SPECIFIED ARE AS FOLLOWS  
 .XX \_\_\_\_\_ .01  
 .XXX \_\_\_\_\_ .005  
 .XX ROUGH CASTING \_\_\_\_\_ .03  
 HOLES \_\_\_\_\_ -.001 / +.006  
 ANGLES \_\_\_\_\_ 0°30"

SIZE	DRAWN DATE	RELEASE DATE	DWG NO. / PART NO.	REV
B	10-6-03		ES-28-27 (R1)	R2
SCALE	STF	DRAWN BY	MJG	REV DATE
				9-3-08