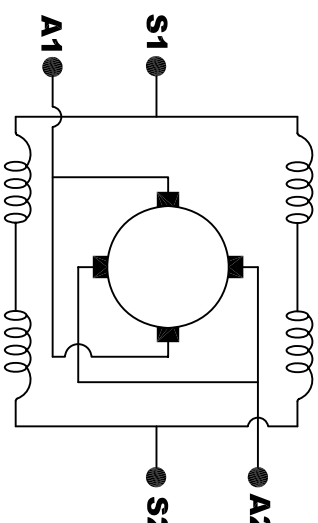
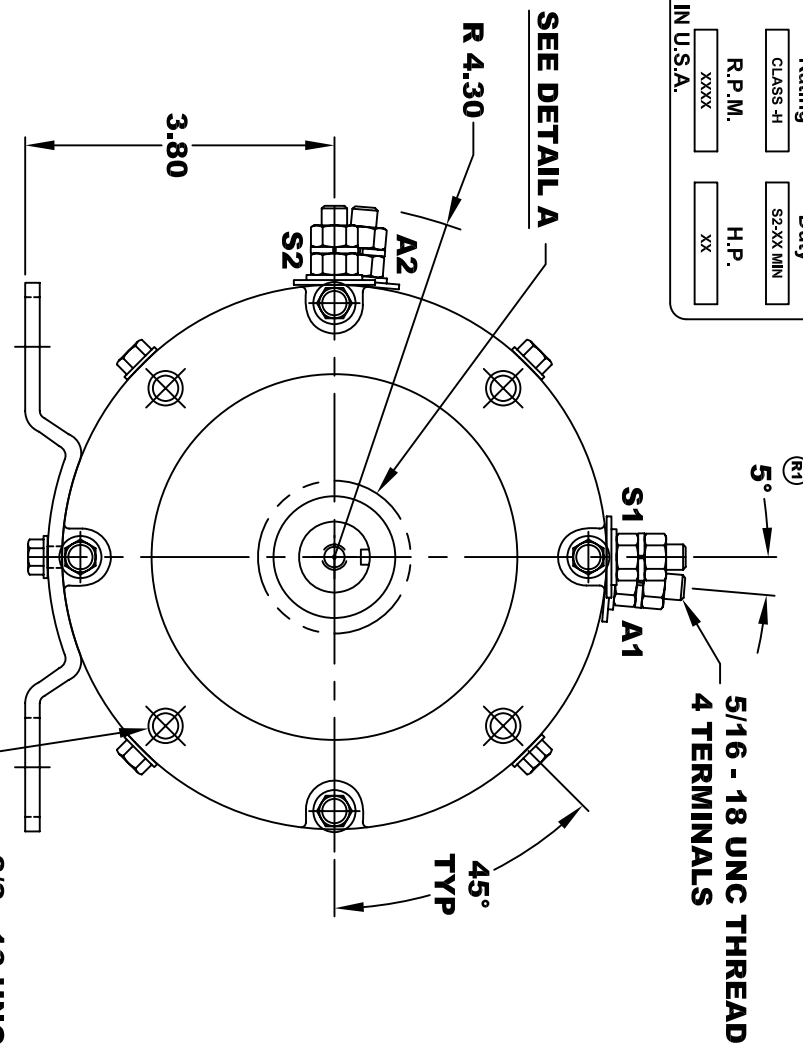
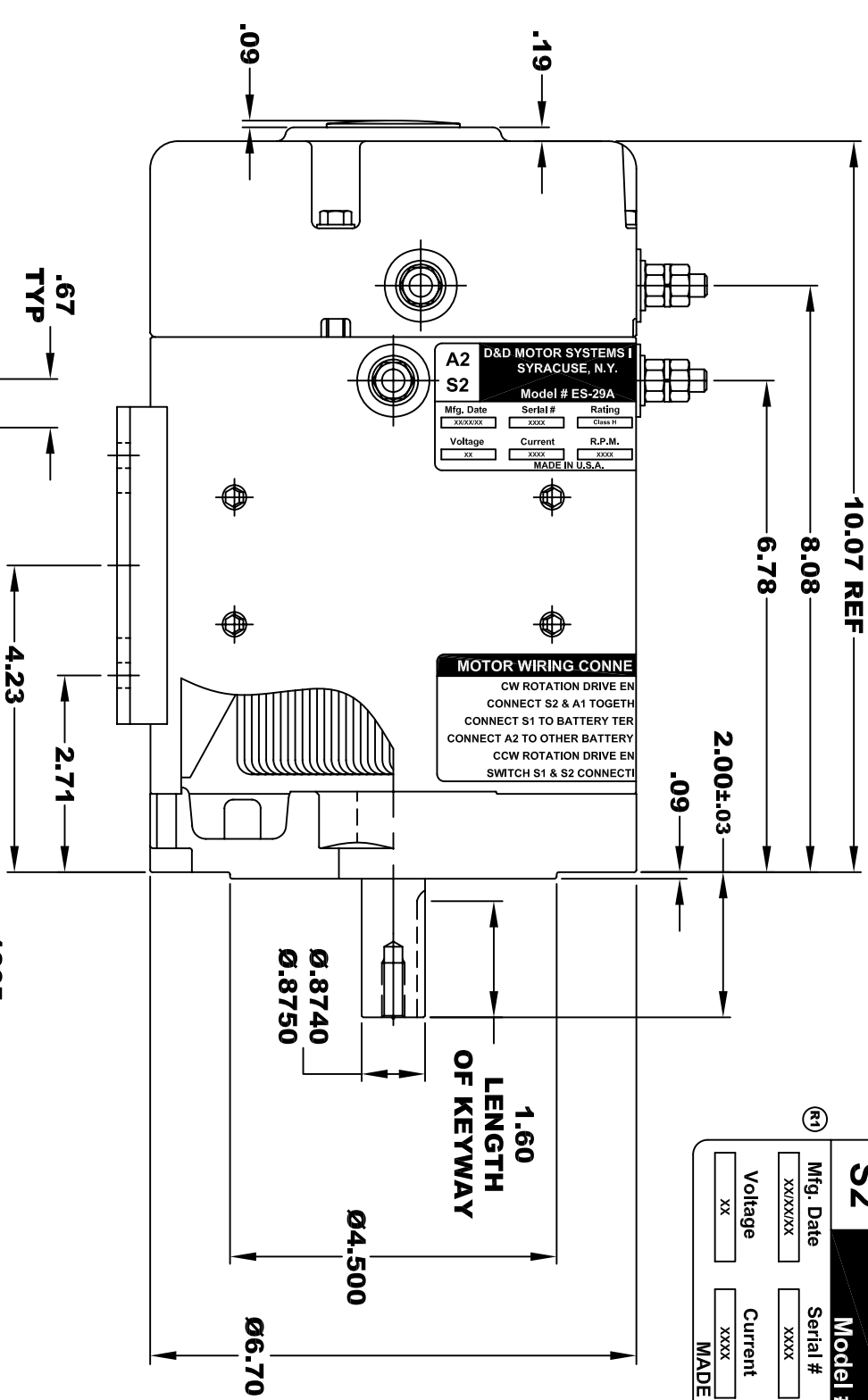


D&D MOTOR SYSTEMS INC.				A1	
SYRACUSE N.Y.				S1	
Model # ES-29A					
A2	S2	Mfg. Date	Serial #	Rating	Duty
		XXXXXX	XXXX	CLASS "H"	S2-XX MIN
		Voltage	Current	R.P.M.	H.P.
		XX	XXXX	XXXX	XX
MADE IN U.S.A.					

**TORQUE SPECIFICATION FOR
POWER CABLE SECURING TOP NUTS
5/16-18 UNC - 110 IN / LBS MAX**



ELECTRICAL WIRING DIAGRAM

MOTOR WIRING CONNECTIONS:
CW ROTATION DRIVE END
CONNECT S2 & A1 TOGETHER
CONNECT S1 TO BATTERY TERMINAL
CONNECT A2 TO OTHER BATTERY TERMINAL
CW ROTATION DRIVE END
SWITCH S1 & S2 CONNECTIONS

D & D MOTOR SYSTEMS INC

MOTOR OUTLINE

THIS PRINT IS THE PROPERTY OF D&D MOTOR SYSTEMS INC.
 DO NOT SCALE
 WORK TO DIMENSIONS
 TOLERANCES UNLESS OTHERWISE SPECIFIED ARE AS FOLLOWS
 .XX _____ .01
 .XXX _____ .005
 .XX ROUGH CASTING _____ .03
 HOLES _____ -.001 / +.006
 ANGLES _____ 0°30"

SIZE	DRAWN DATE	RELEASE DATE	DWG NO. / PART NO.	REV
B	5-30-03		ES-29A	R1
SCALE	STF	DRAWN BY	MJG	REV DATE
				11-3-03

MOTOR WEIGHT: 51 LBS
CLASS "H" INSULATION
PERFORMANCE SPEC: 2