

**D&D MOTOR SYSTEMS INC.**  
**SYRACUSE N.Y.**  
**Model # ES-29C-27**

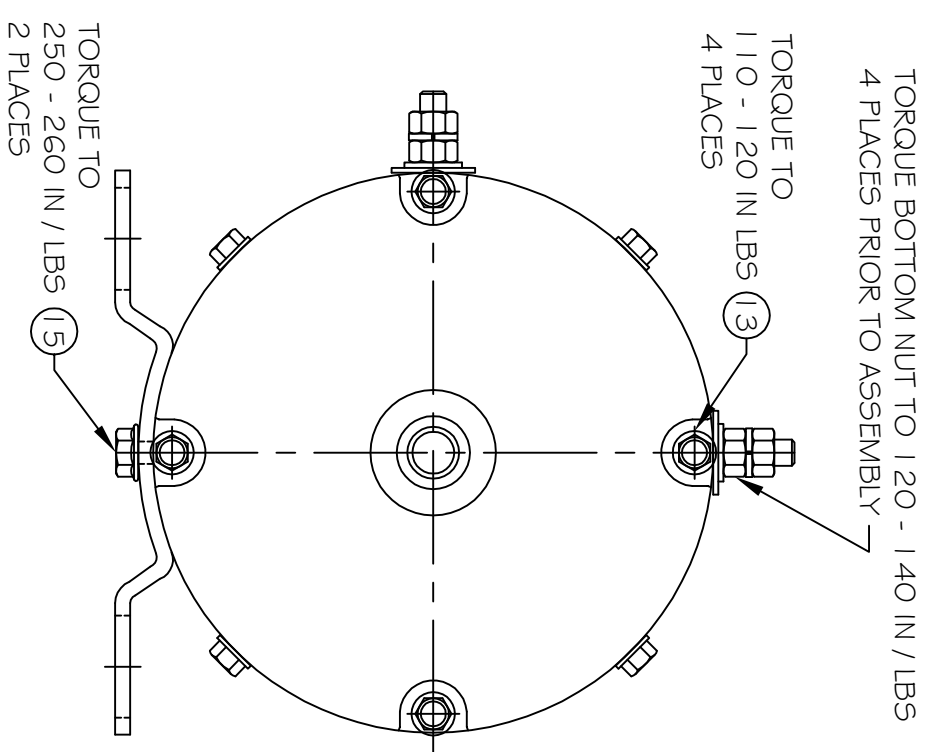
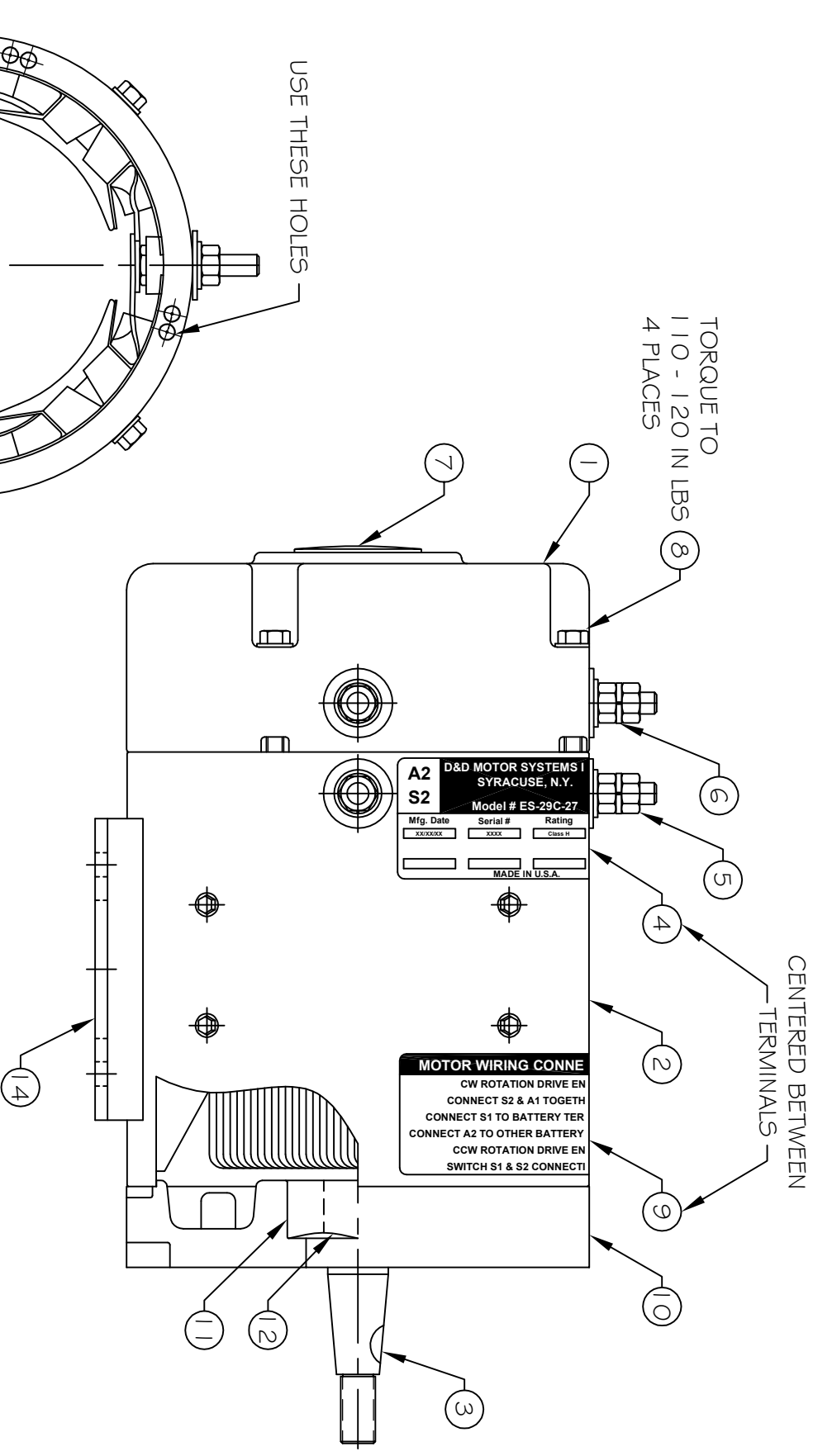
**A2**      **A1**  
**S2**      **S1**

Mfg. Date      Serial #      Rating      Voltage

XXXXXX      XXXX      CLASS-H      XX

MADE IN U.S.A.

ITEM #	PART #	QUANTITY	PART DESCRIPTION
1	CEHA170 - 0001	1	COMMUTATOR END HEAD ASSEMBLY
2	EP-442	1	FRAME & FIELD ASSEMBLY
3	EP-175H	1	ARMATURE ASSEMBLY
4	NMLB - 1004	1	NAME LABEL
5	HNUT - 1001	4	NUT (5/16)
6	HWAS - 2001	4	LOCK WASHER
7	HPLG - 0001	1	HOLE PLUG
8	HFAS - 3001	4	SCREW
9	NMLB - 2000	1	WIRING LABEL
10	EP-173E	1	DRIVE END HEAD
11	BEAR - 0205	1	BEARING
12	WWSH - 0001	1	WAVE WASHER
13	HFAS - 3003	4	SCREW
14	HBRK - 2002	1	BRACKET
15	HFAS - 8000	2	SCREW



THIS PRINT IS THE PROPERTY OF D&D MOTOR SYSTEMS, INC.  
 DO NOT SCALE  
 WORK TO DIMENSIONS  
 TOLERANCES UNLESS OTHERWISE SPECIFIED ARE AS FOLLOWS

XX \_\_\_\_\_ .01  
 .XXX \_\_\_\_\_ .005  
 .XX ROUGH CASTING \_\_\_\_\_ .03  
 HOLES \_\_\_\_\_ -.001 / +.006  
 ANGLES \_\_\_\_\_ 0°30"

**D&D MOTOR SYSTEMS INC.**  
**MOTOR ASSEMBLY**

SIZE	DRAWN DATE	RELEASE DATE	DWG NO. / PART NO.	REV
B	2-10-19		ES-29C-27	
SCALE	STF	DRAWN BY	MJG	REV DATE