

10.20 REF

8.18

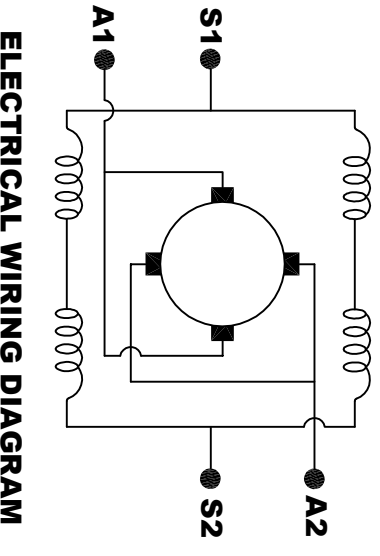
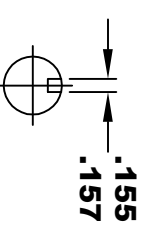
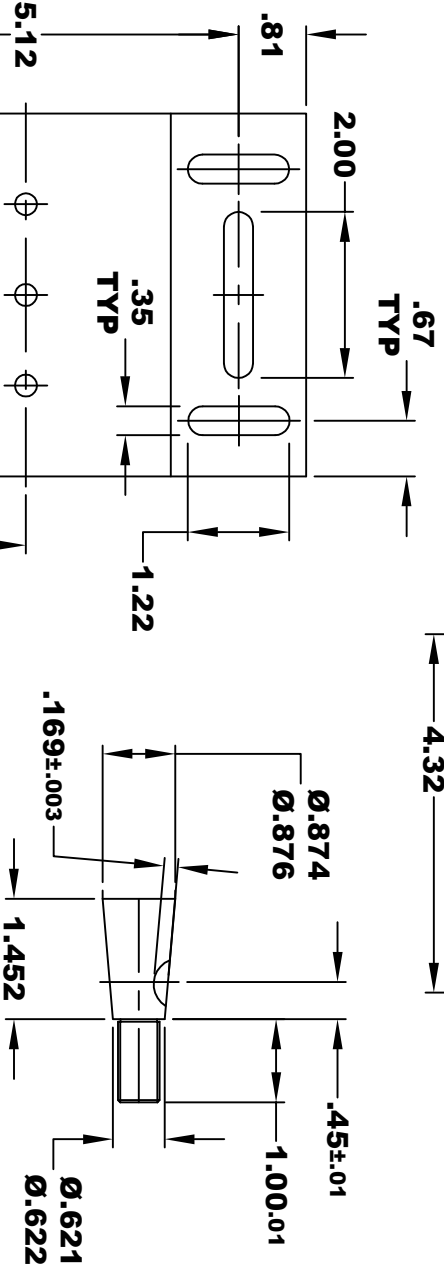
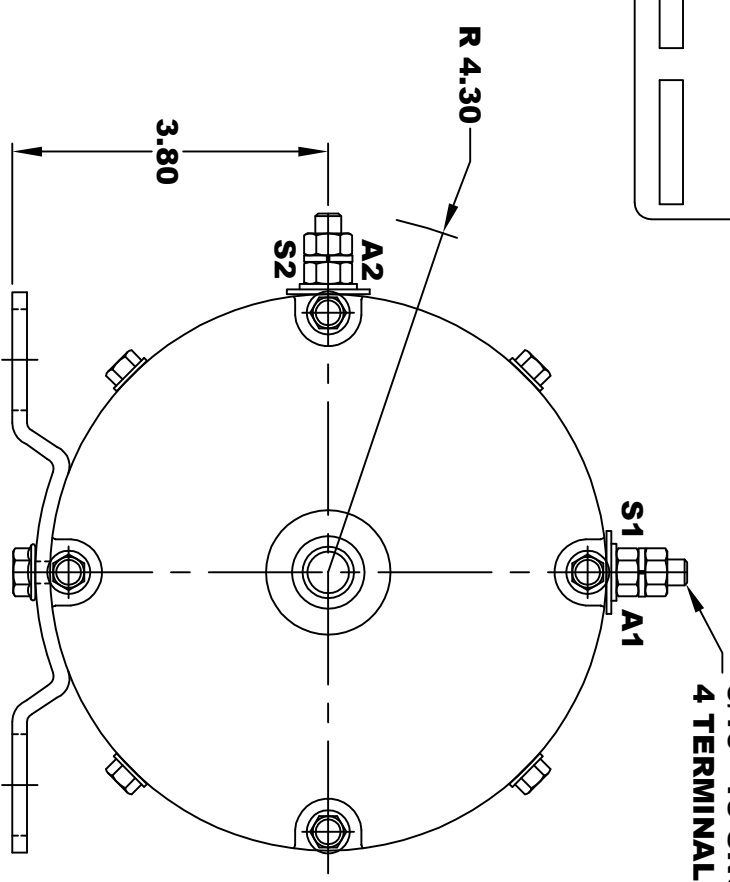
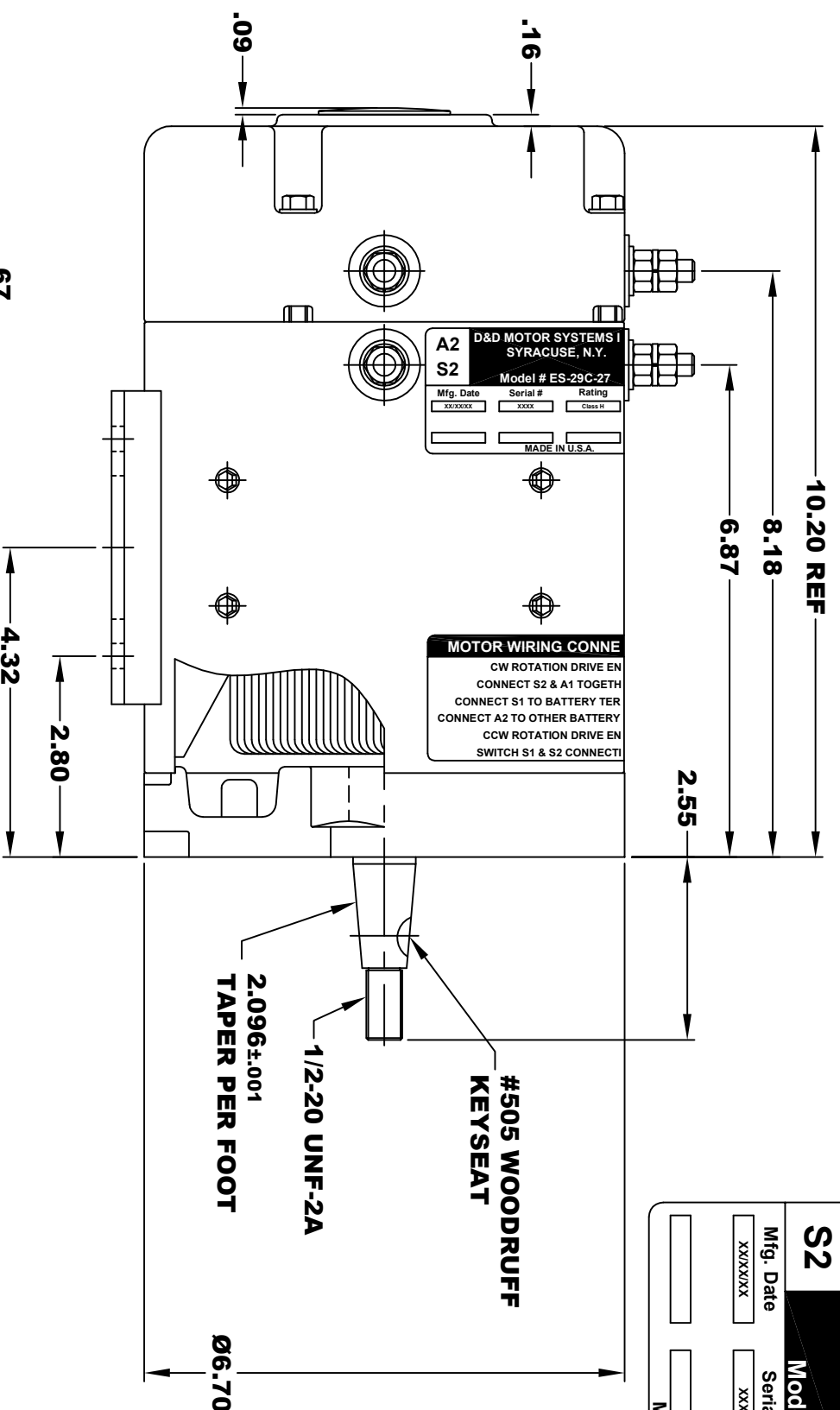
6.87

2.55

D&D MOTOR SYSTEMS INC.			
SYRACUSE N.Y.			
A2	Model # ES-29C-27		A1
S2	Mfg. Date	Serial #	Rating
	XXXXXX	XXXX	CLASS -H
			Voltage
			XX
			MADE IN U.S.A.

TORQUE SPECIFICATION FOR POWER CABLE SECURING TOP NUTS
5/16-18 UNC - 110 IN / LBS MAX

5/16 - 18 UNC THREAD
4 TERMINALS



MOTOR WIRING CONNECTIONS:
CW ROTATION DRIVE END
 CONNECT S2 & A1 TOGETHER
 CONNECT S1 TO BATTERY TERMINAL
 CONNECT A2 TO OTHER BATTERY TERMINAL
CCW ROTATION DRIVE END
 SWITCH S1 & S2 CONNECTIONS

MOTOR WEIGHT: 52 LBS
CLASS "H" INSULATION
PERFORMANCE SPEC: 27

THIS PRINT IS THE PROPERTY OF D&D MOTOR SYSTEMS INC.
 DO NOT SCALE
 WORK TO DIMENSIONS
 TOLERANCES UNLESS OTHERWISE SPECIFIED ARE AS FOLLOWS
 .XX _____ .01
 .XXX _____ .005
 .XX ROUGH CASTING _____ .03
 HOLES _____ .001 / +.006
 ANGLES _____ 0.30"

D & D MOTOR SYSTEMS INC			
MOTOR OUTLINE			
SIZE	DRAWN DATE	RELEASE DATE	DWG NO. / PART NO.
B	12-10-19		ES-29C-27
SCALE	DRAWN BY		REV DATE
STF	MJG		