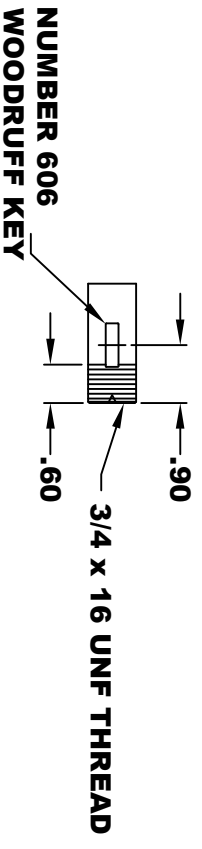
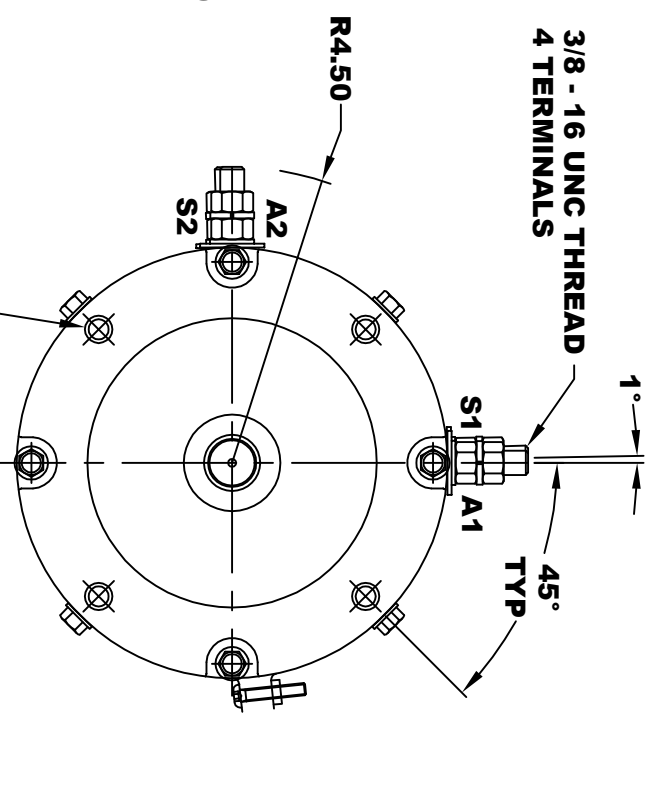
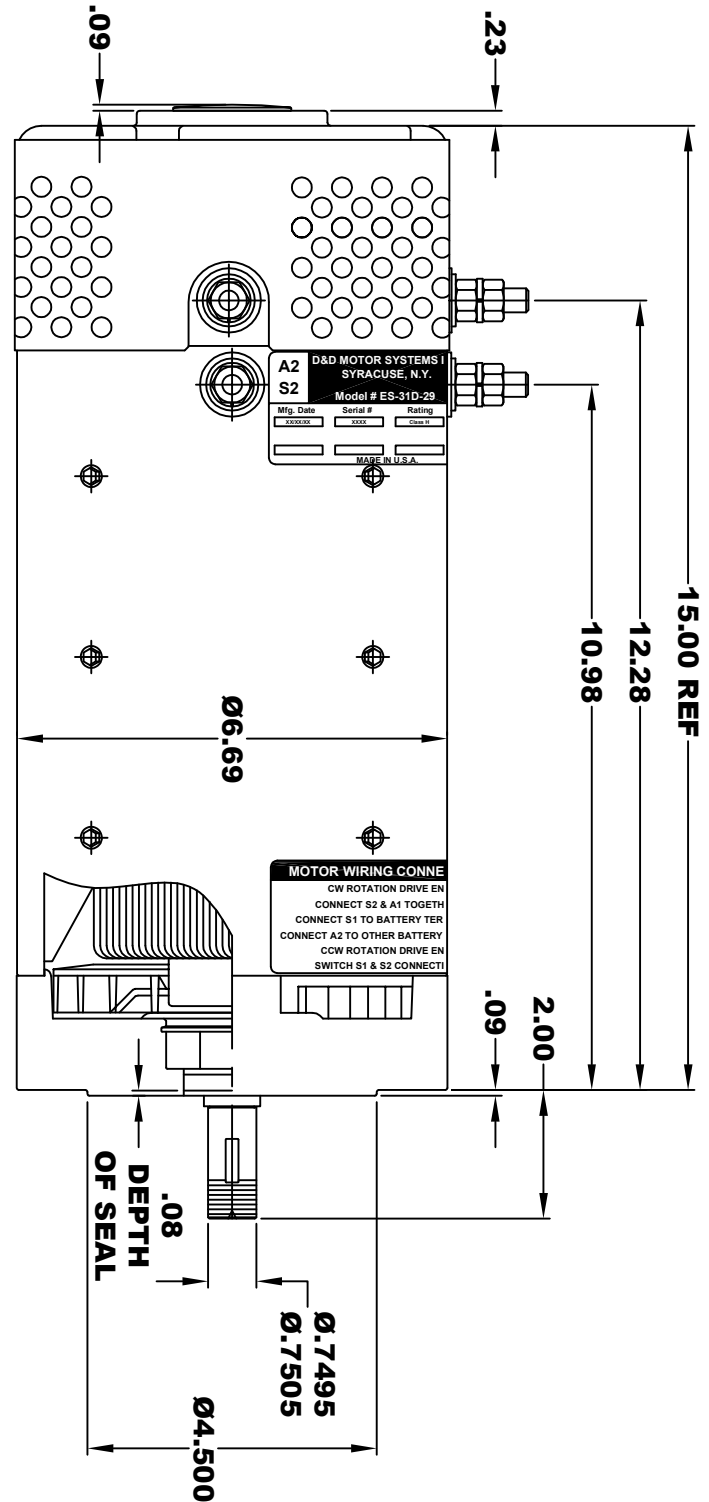
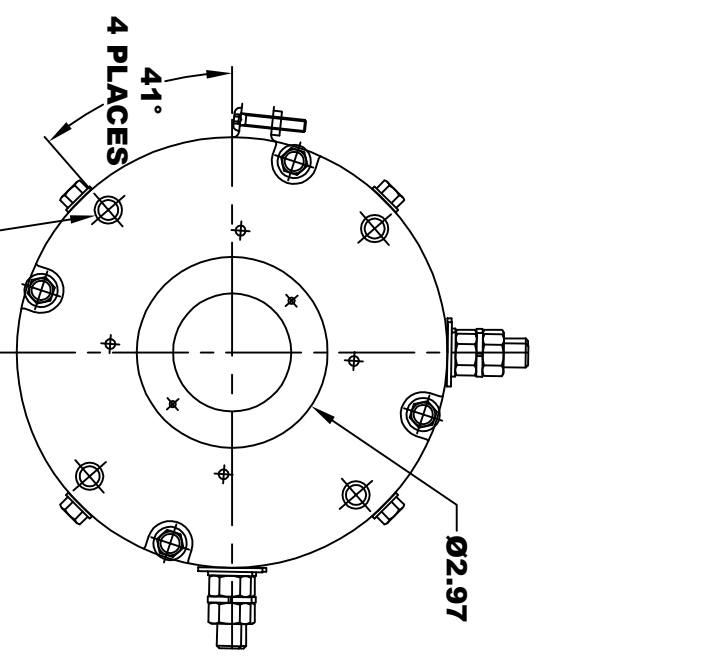
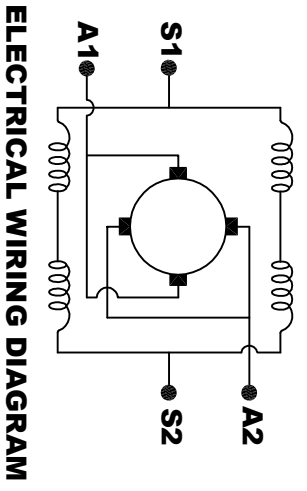


D&D MOTOR SYSTEMS INC.			
A2	SYRACUSE N.Y.		A1
S2	Model # ES-31D-29		S1
Mfg. Date	Serial #	Rating	Voltage
XXXXXX	XXXX	Class H	48 / 72
MADE IN U.S.A.			

**TORQUE SPECIFICATION FOR
POWER CABLE SECURING TOP NUTS
3/8-16 UNC - 140 IN / LBS MAX**



**MOTOR WEIGHT: 83 LBS
CLASS "H" INSULATION
PERFORMANCE SPEC: 29**



MOTOR WIRING CONNECTIONS:
CW ROTATION DRIVE END
CONNECT S2 & A1 TOGETHER
CONNECT S1 TO BATTERY TERMINAL
CONNECT A2 TO OTHER BATTERY TERMINAL
CCW ROTATION DRIVE END
SWITCH S1 & S2 CONNECTIONS

THIS PRINT IS THE PROPERTY OF D&D MOTOR SYSTEMS INC.
DO NOT SCALE
WORK TO DIMENSIONS
TOLERANCES UNLESS OTHERWISE SPECIFIED ARE AS FOLLOWS
.XX .01
.XXX .005
.XX ROUGH CASTING .03
HOLES .001 / +.006
ANGLES 0.30"

D & D MOTOR SYSTEMS INC

MOTOR OUTLINE

SIZE	DRAWN DATE	RELEASE DATE	DWG NO. / PART NO.	REV
B	5-4-17		ES-31D-29	
SCALE	STF	DRAWN BY	MJG	REV DATE