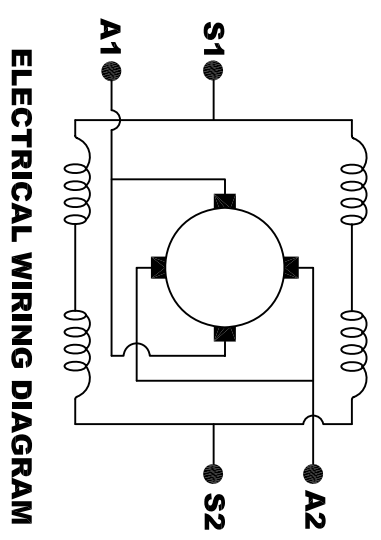
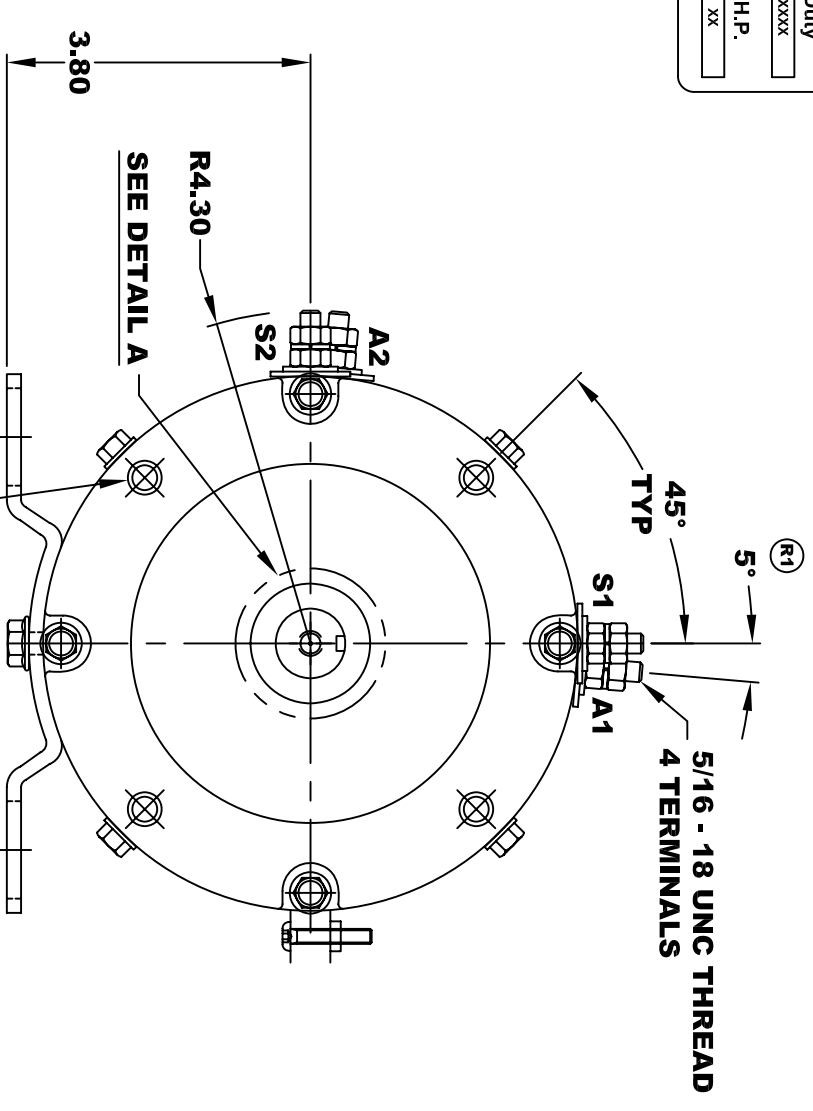
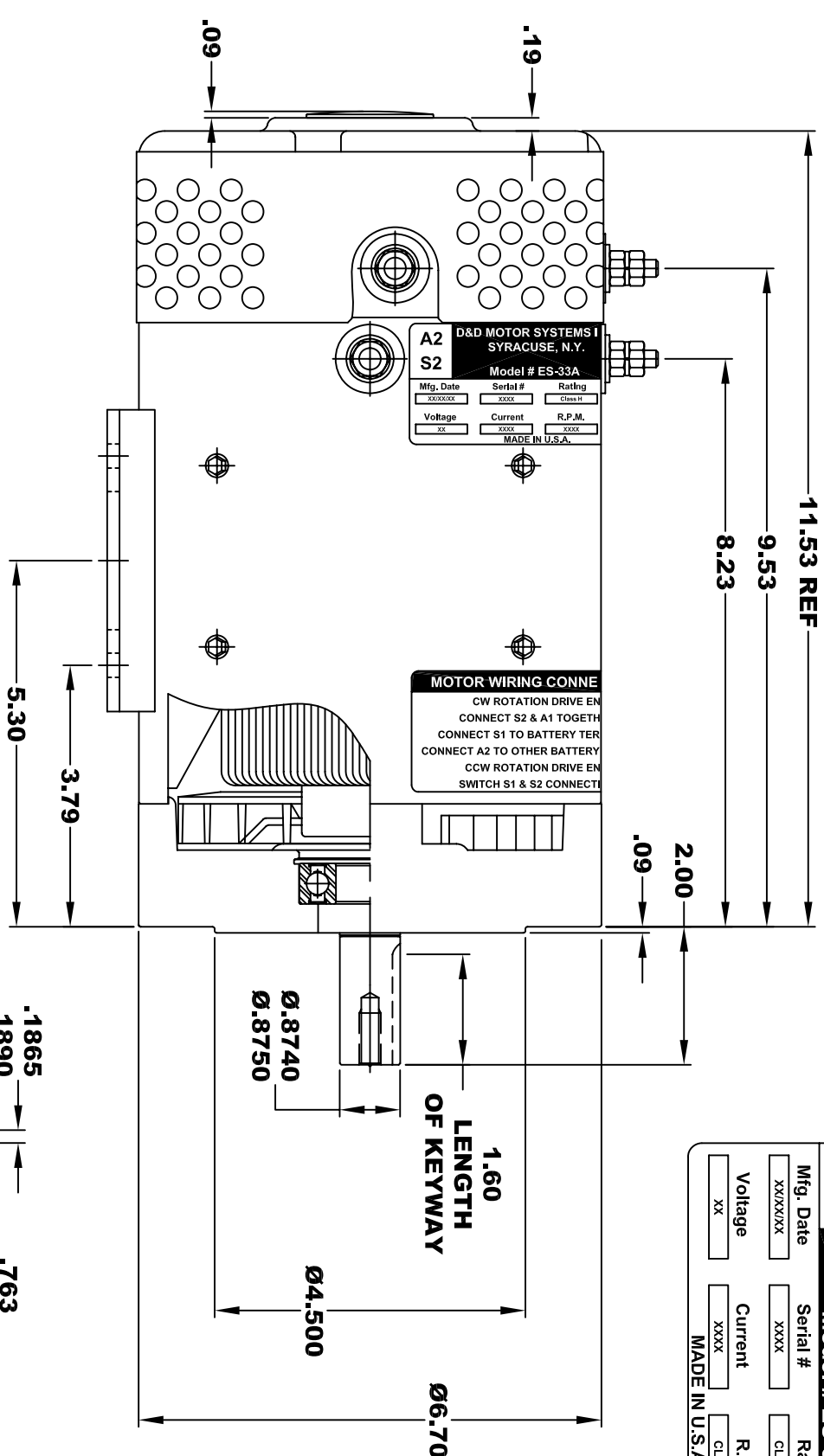


**TORQUE SPECIFICATION FOR
POWER CABLE SECURING TOP NUTS
5/16-18 UNC - 110 IN / LBS MAX**

D&D MOTOR SYSTEMS INC.				A1
SYRACUSE N.Y.				S1
Model # ES-33A				
Mfg. Date	Serial #	Rating	Duty	
XXXXXX	XXXX	CLASS H	XXXX	
Voltage	Current	R.P.M.	H.P.	
XX	XXXX	CLASS H	XX	
MADE IN U.S.A.				



MOTOR WIRING CONNECTIONS:
CW ROTATION DRIVE END
 CONNECT S2 & A1 TOGETHER
 CONNECT S1 TO BATTERY TERMINAL
 CONNECT A2 TO OTHER BATTERY TERMINAL
CCW ROTATION DRIVE END
 SWITCH S1 & S2 CONNECTIONS

MOTOR WEIGHT: 59 LBS
CLASS "H" INSULATION
PERFORMANCE SPEC: 11

THIS PRINT IS THE PROPERTY OF D&D MOTOR SYSTEMS INC.
 DO NOT SCALE
 WORK TO DIMENSIONS
 TOLERANCES UNLESS OTHERWISE SPECIFIED ARE AS FOLLOWS
 .XX _____ .01
 .XXX _____ .005
 .XX ROUGH CASTING _____ .03
 HOLES _____ -.001 / +.006
 ANGLES _____ 0°30"

D & D MOTOR SYSTEMS INC

MOTOR OUTLINE

SIZE	DRAWN DATE	RELEASE DATE	DWG NO. / PART NO.	REV
B	8-8-03		ES-33A	R2
SCALE	STF	DRAWN BY	MJG	REV DATE
				7-1-16