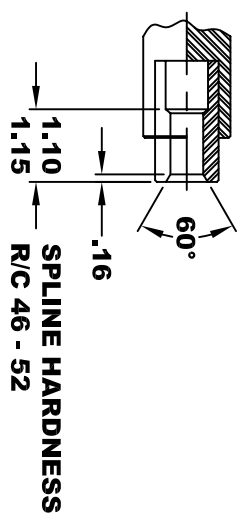
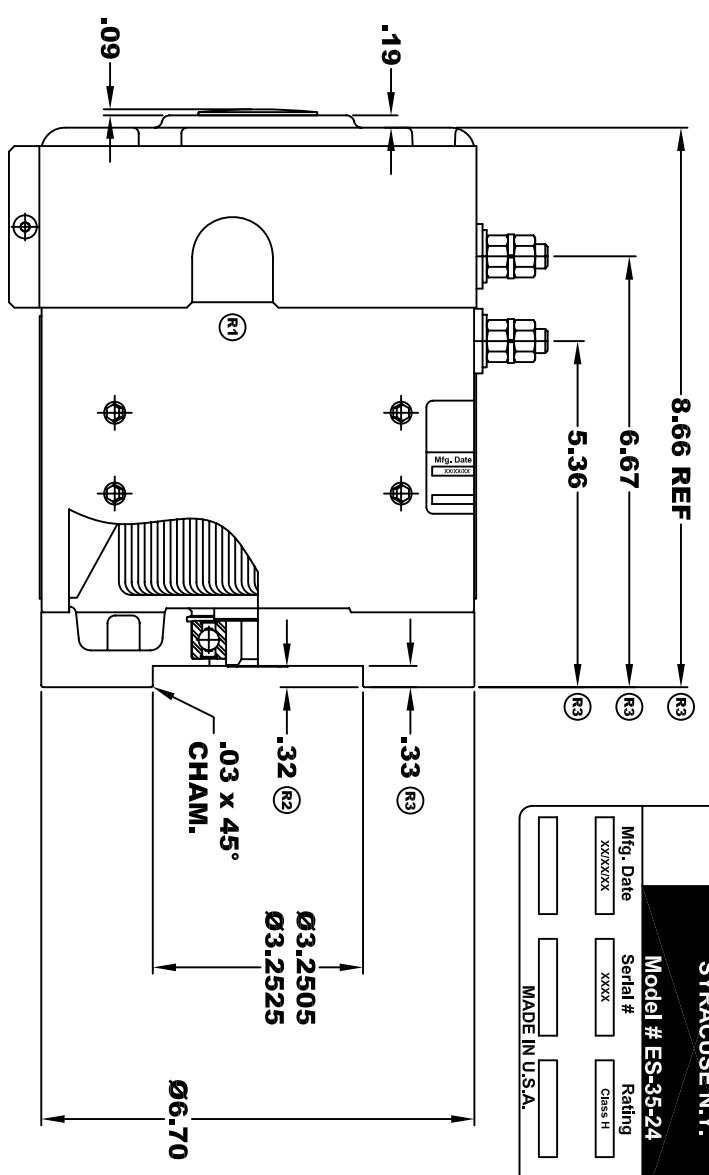
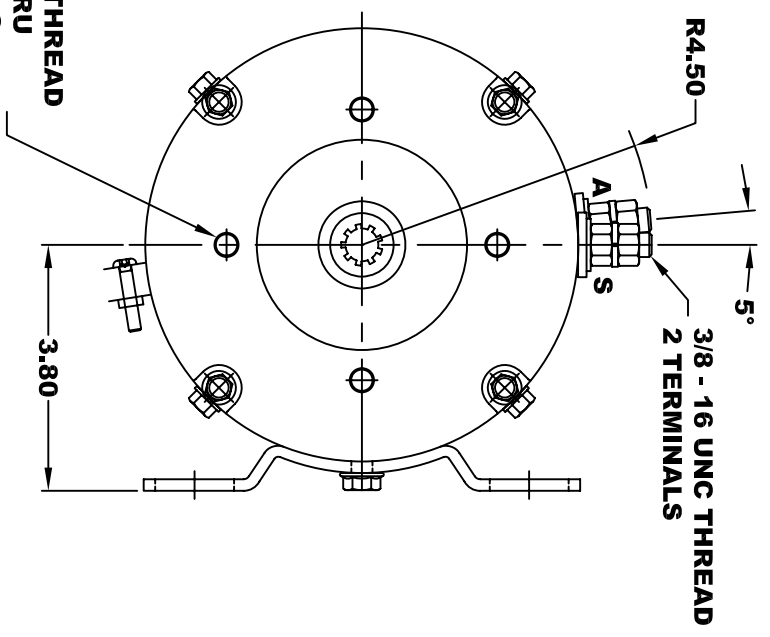


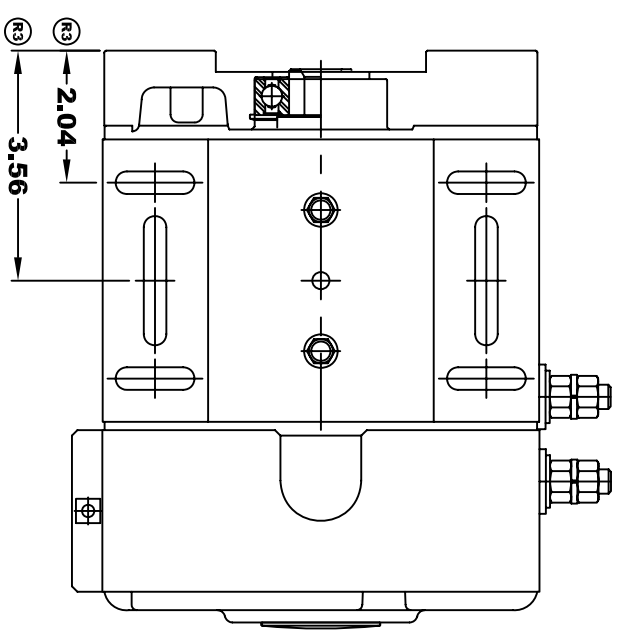
<b>D&amp;D MOTOR SYSTEMS INC.</b>			
SYRACUSE N.Y.			
Model # ES-35-24			
Mfg. Date	Serial #	Rating	Voltage
XXXXXX	XXXX	CLASS H	12/24
MADE IN U.S.A.			



3/8 - 24 UNF - 2B THREAD  
4 HOLES THRU  
ON A 4.188 B.C.  
WITH A .03 x 45° CHAM



**TORQUE SPECIFICATION FOR  
POWER CABLE SECURING TOP NUTS**  
3/8-16 UNC - 140 IN / LBS MAX

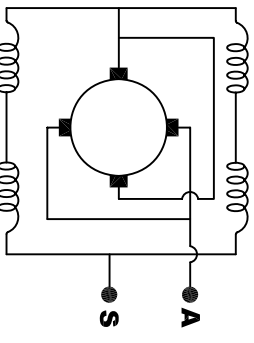


**INTERNAL INVOLUTE SPLINE SPECIFICATION  
FLAT ROOT SIDE FIT (PER A.N.S.I. B92.1 CLASS 5)**

- NO. OF TEETH \_\_\_\_\_ 9
- SPLINE PITCH \_\_\_\_\_ 16 / 32
- PRESSURE ANGLE \_\_\_\_\_ 30°
- BASE Ø \_\_\_\_\_ .4871 REF
- PITCH Ø \_\_\_\_\_ .5625 REF
- MAJOR Ø \_\_\_\_\_ .651
- FORM Ø \_\_\_\_\_ .629
- MINOR Ø \_\_\_\_\_ .509 - .514

⊙	.010	A
⊥	.010	B

- CIRCULAR SPACE WIDTH \_\_\_\_\_ .1008
- MAX EFFECTIVE \_\_\_\_\_ .0982
- MAX DIMENSION BETWEEN TWO PINS \_\_\_\_\_ .3972
- PIN Ø \_\_\_\_\_ .1080



**ELECTRICAL WIRING DIAGRAM**

**MOTOR WIRING CONNECTIONS:**  
CW ROTATION DRIVE END  
CONNECT ONE POWER CABLE TO TERMINAL A  
CONNECT THE OTHER POWER CABLE TO TERMINAL S

**MOTOR WEIGHT: 39 LBS**  
**CLASS "H" INSULATION**  
**PERFORMANCE SPEC: 24**

**D & D MOTOR SYSTEMS INC**  
**MOTOR OUTLINE**

THIS PRINT IS THE PROPERTY OF D&D MOTOR SYSTEMS INC.  
DO NOT SCALE  
WORK TO DIMENSIONS  
TOLERANCES UNLESS OTHERWISE SPECIFIED ARE AS FOLLOWS

.XX	.01
.XXX	.005
.XX ROUGH CASTING	.03
HOLES	-.001 / +.006
ANGLES	0°30"

SIZE	DRAWN DATE	RELEASE DATE	DWG NO. / PART NO.	REV
B	7-13-04		ES-35-24	R3
SCALE	STF	DRAWN BY	MJG	REV DATE
				6-30-14