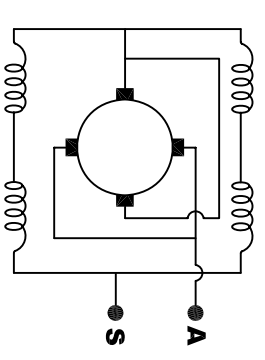
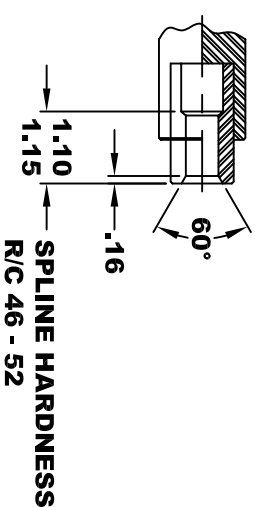
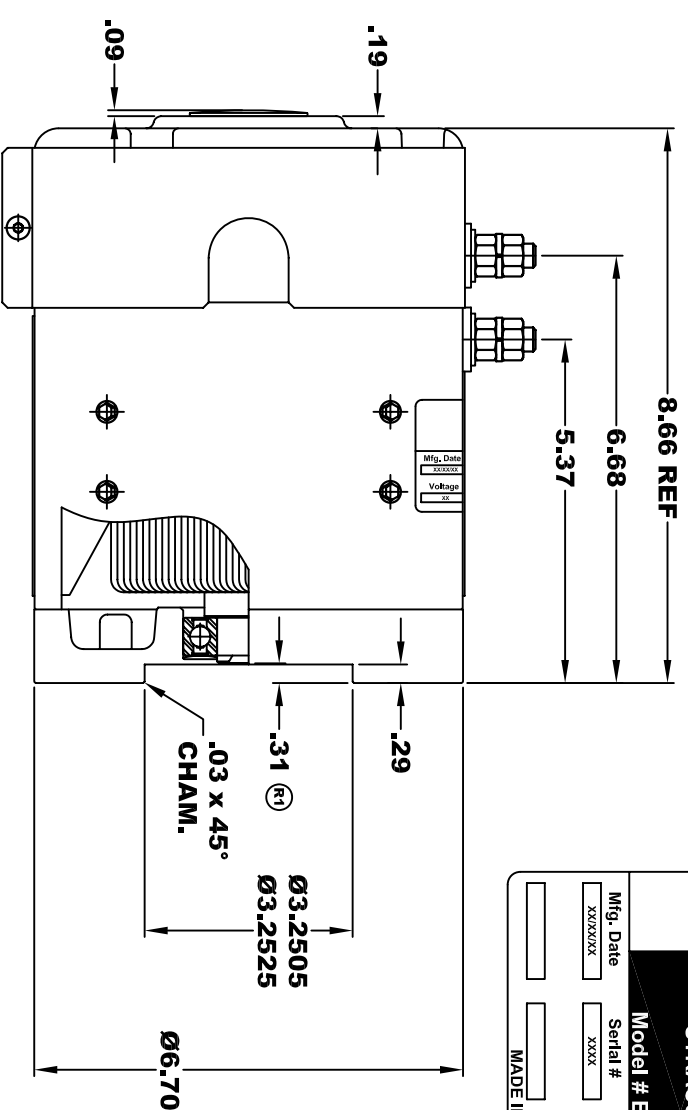


D&D MOTOR SYSTEMS INC. SYRACUSE N.Y.			
Model # ES-35A-24			
Mfg. Date	Serial #	Rating	Voltage
XXXXXX	XXXX	CLASS H	12 / 24
MADE IN U.S.A.			

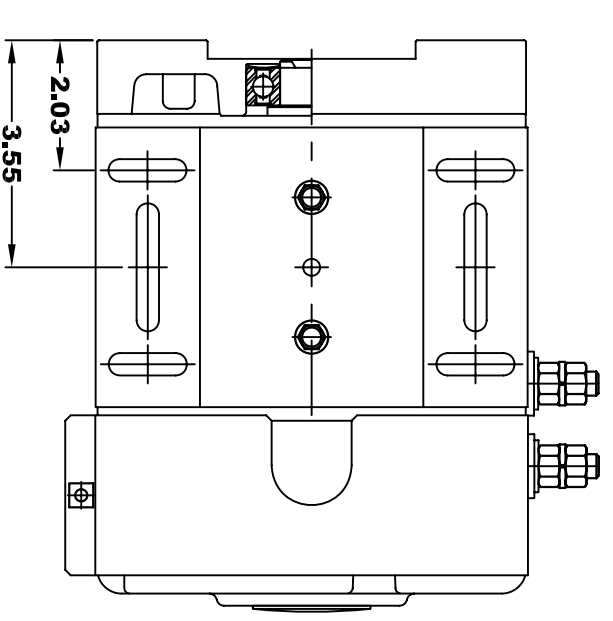
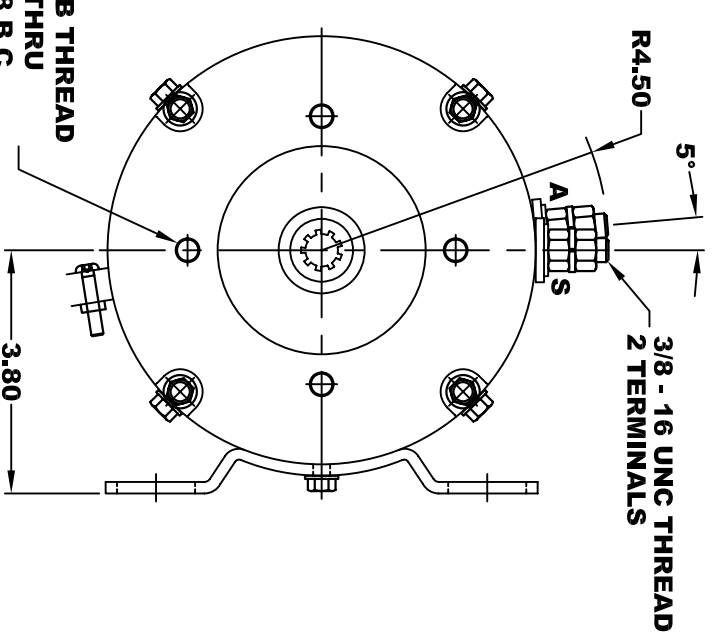


INTERNAL INVOLUTE SPLINE SPECIFICATION
FLAT ROOT SIDE FIT (PER A.N.S.I. B92.1 CLASS 5)

NO. OF TEETH _____ 9
 SPLINE PITCH _____ 16 / 32
 PRESSURE ANGLE _____ 30°
 BASE Ø _____ .4871 REF
 PITCH Ø _____ .5625 REF
 MAJOR Ø _____ .651
 FORM Ø _____ .629
 MINOR Ø _____ .509 - .514

CIRCULAR SPACE WIDTH
 MAX ACTUAL _____ .1008
 MIN EFFECTIVE _____ .0982
 MAX DIMENSION BETWEEN TWO PINS _____ .3972
 PIN Ø _____ .1080

TORQUE SPECIFICATION FOR POWER CABLE SECURING TOP NUTS
 3/8-16 UNC - 140 IN / LBS MAX



MOTOR WIRING CONNECTIONS:
 CW ROTATION DRIVE END
 CONNECT ONE POWER CABLE TO TERMINAL A
 CONNECT THE OTHER POWER CABLE TO TERMINAL S

MOTOR WEIGHT: 39 LBS
CLASS "H" INSULATION
PERFORMANCE SPEC: 24

THIS PRINT IS THE PROPERTY OF D&D MOTOR SYSTEMS INC.
 DO NOT SCALE
 WORK TO DIMENSIONS
 TOLERANCES UNLESS OTHERWISE SPECIFIED ARE AS FOLLOWS

.XXX _____ .005
 .XX _____ .01
 .XX ROUGH CASTING _____ .03
 HOLES _____ -.001 / +.006
 ANGLES _____ 0°30"

D & D MOTOR SYSTEMS INC

MOTOR OUTLINE

SIZE	DRAWN DATE	RELEASE DATE	DWG NO. / PART NO.	REV
B	3-21-13		ES-35A-24	R1
SCALE	STF	DRAWN BY	MJG	REV DATE
				10-22-13