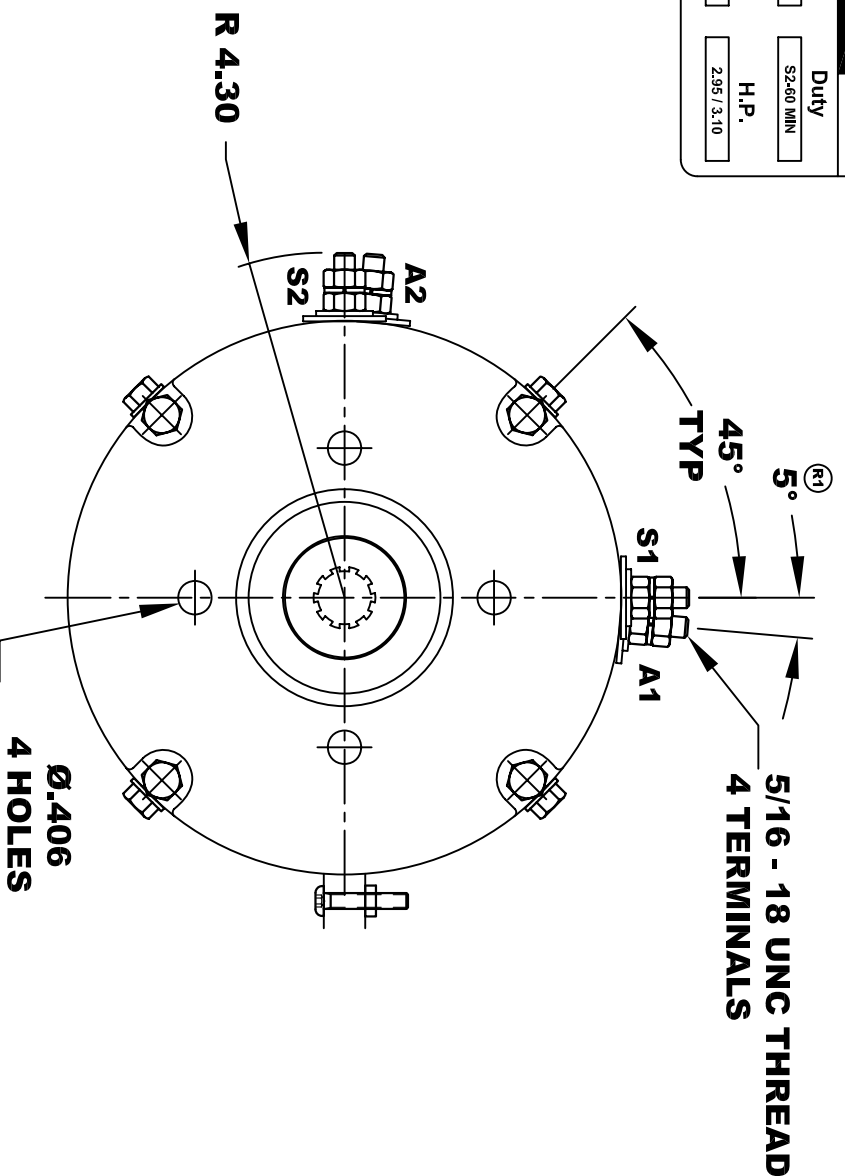


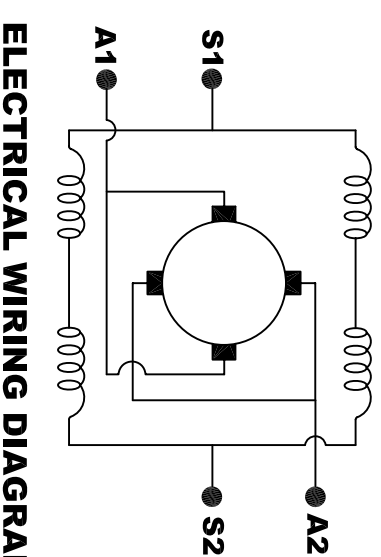
A2		D&D MOTOR SYSTEMS INC.		A1	
S2		SYRACUSE N.Y.		S1	
Model # ES-36A					
Mfg. Date	Serial #	Rating	Duty		
XX/XX/XX	XXXX	Class H	S2-60 MIN		
Voltage	Current	R.P.M.	H.P.		
36 / 48	78 / 60	2820 / 4250	2.95 / 3.10		
MADE IN U.S.A.					

D&D MOTOR SYSTEMS I SYRACUSE, N.Y.		
Model # ES-36A		
Mfg. Date	Serial #	Rating
XX/XX/XX	XXXX	Class H
Voltage	Current	R.P.M.
36 / 48	78 / 60	2820 / 4250
MADE IN U.S.A.		

MOTOR WIRING CONNE
 CW ROTATION DRIVE EN
 CONNECT S2 & A1 TOGETHER
 CONNECT S1 TO BATTERY TER
 CONNECT A2 TO OTHER BATTERY
 CCW ROTATION DRIVE EN
 SWITCH S1 & S2 CONNECTI

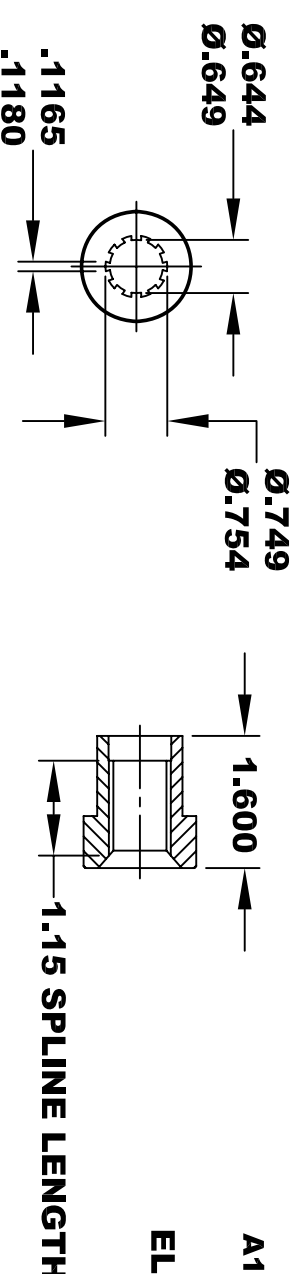


**TORQUE SPECIFICATION FOR
 POWER CABLE SECURING TOP NUTS
 5/16-18 UNC - 110 IN / LBS MAX**



ELECTRICAL WIRING DIAGRAM

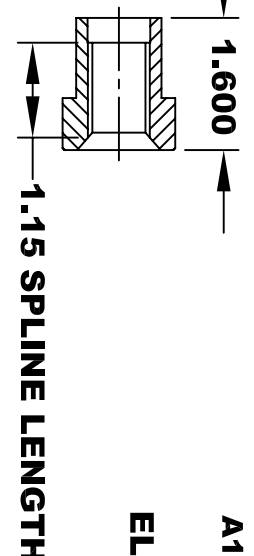
MOTOR WIRING CONNECTIONS:
CW ROTATION DRIVE END
CONNECT S2 & A1 TOGETHER
CONNECT S1 TO BATTERY TERMINAL
CONNECT A2 TO OTHER BATTERY TERMINAL
CCW ROTATION DRIVE END
SWITCH S1 & S2 CONNECTIONS



10 TOOTH

INTERNAL SPLINE

**HARDNESS OF SPLINE
 TO BE R/C 46 - 53 (.02 DEPTH MIN)**



MOTOR WEIGHT: XX LBS
CLASS "H" INSULATION
PERFORMANCE SPEC: 2

THIS PRINT IS THE PROPERTY OF D&D MOTOR SYSTEMS INC.
 DO NOT SCALE
 WORK TO DIMENSIONS
 TOLERANCES UNLESS OTHERWISE SPECIFIED ARE AS FOLLOWS
 .XX _____ .01
 .XXX _____ .005
 .XX ROUGH CASTING _____ .03
 HOLES _____ -.001 / +.006
 ANGLES _____ 0°30"

D & D MOTOR SYSTEMS INC

MOTOR OUTLINE

SIZE	DRAWN DATE	RELEASE DATE	DWG NO. / PART NO.	REV
B	12-11-02		ES-36A	R2
SCALE	STF	DRAWN BY	MJG	REV DATE
				6-9-04