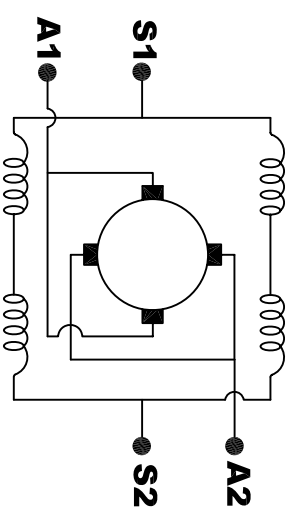
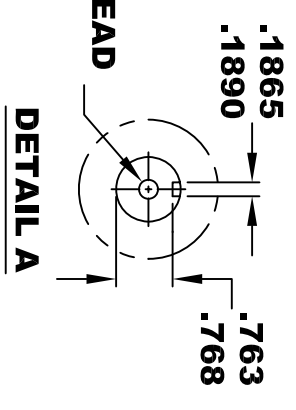
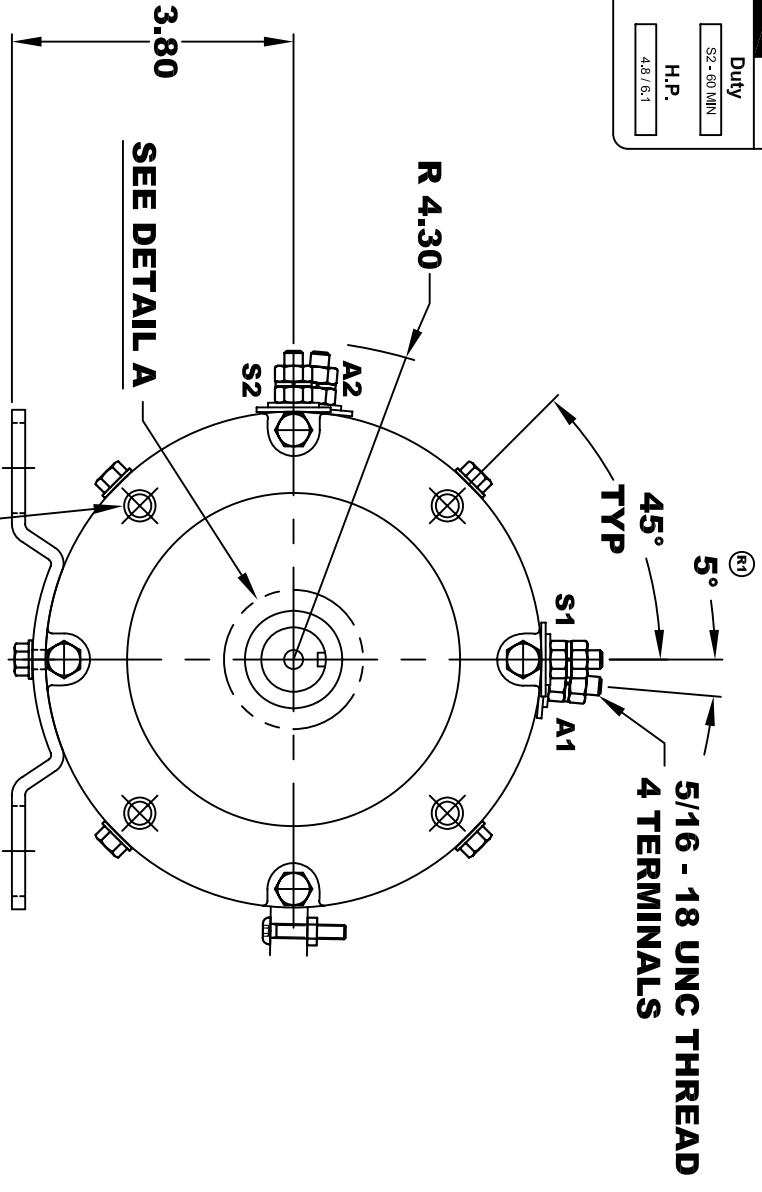


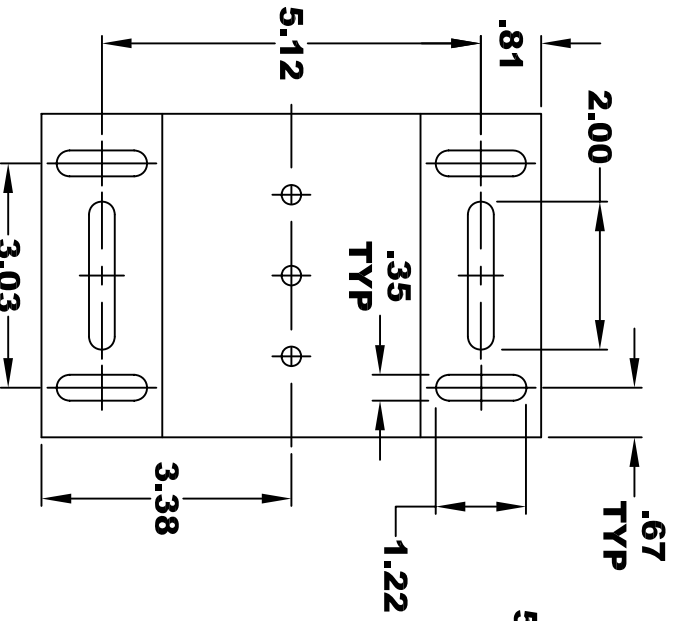
D&D MOTOR SYSTEMS INC.		A1
SYRACUSE, N.Y.		S1
Model # ES-37C		
A2	S2	
Mfg. Date	Serial #	Rating
XXXXXX	XXXX	Class H
Voltage	Current	R.P.M.
36 / 48	131 / 125	2075 / 2925
MADE IN U.S.A.		Duty
		S2 - 60 MIN
		H.P.
		4.8 / 6.1

TORQUE SPECIFICATION FOR POWER CABLE SECURING TOP NUTS
5/16-18 UNC - 110 IN / LBS MAX



ELECTRICAL WIRING DIAGRAM

MOTOR WIRING CONNECTIONS:
CW ROTATION DRIVE END
 CONNECT S2 & A1 TOGETHER
 CONNECT S1 TO BATTERY TERMINAL
 CONNECT A2 TO OTHER BATTERY TERMINAL
CCW ROTATION DRIVE END
 SWITCH S1 & S2 CONNECTIONS



MOTOR WEIGHT: 51 LBS
CLASS "H" INSULATION
PERFORMANCE SPEC: 2

THIS PRINT IS THE PROPERTY OF D&D MOTOR SYSTEMS INC.
 DO NOT SCALE
 WORK TO DIMENSIONS
 TOLERANCES UNLESS OTHERWISE SPECIFIED ARE AS FOLLOWS
 .XX _____ .01
 .XXX _____ .005
 .XX ROUGH CASTING _____ .03
 HOLES _____ -.001 / +.006
 ANGLES _____ 0°30"

D & D MOTOR SYSTEMS INC

MOTOR OUTLINE

SIZE	DRAWN DATE	RELEASE DATE	DWG NO. / PART NO.	REV
B	11-13-02		ES-37C	R1
SCALE	STF	DRAWN BY	MJG	REV DATE
				11-3-03