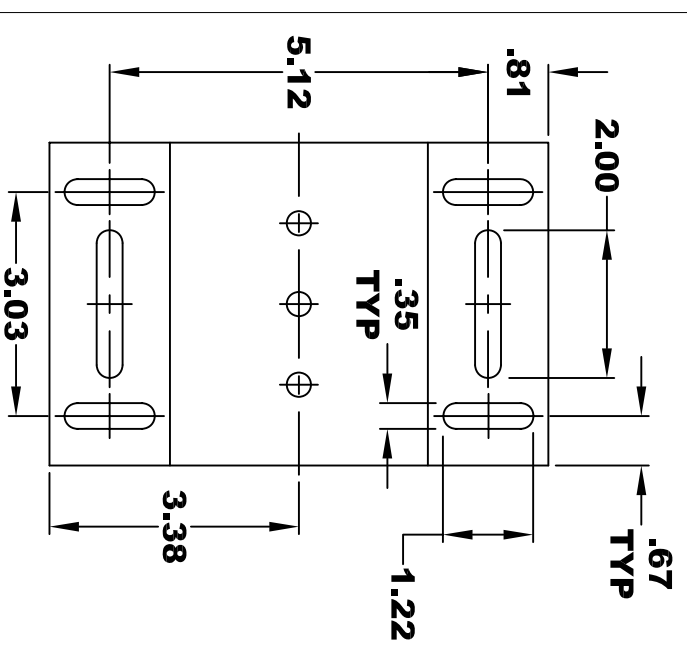
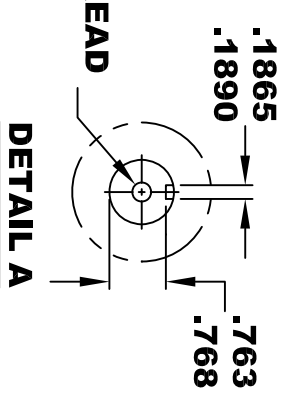
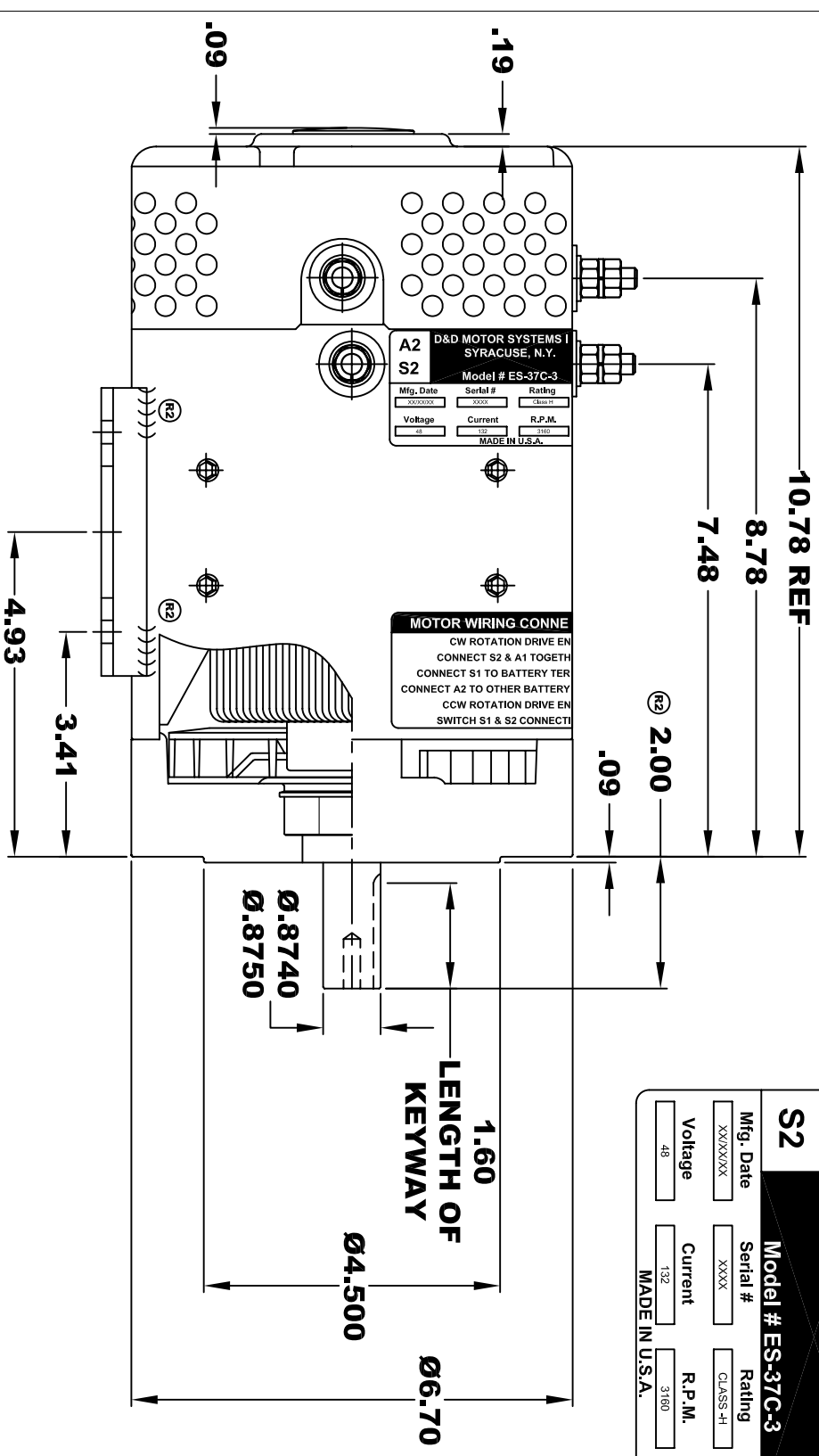
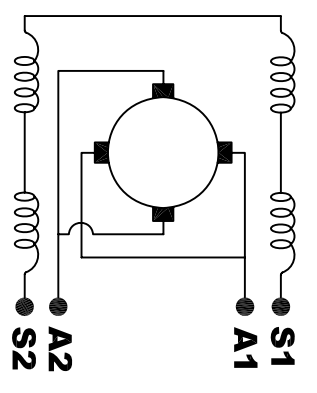
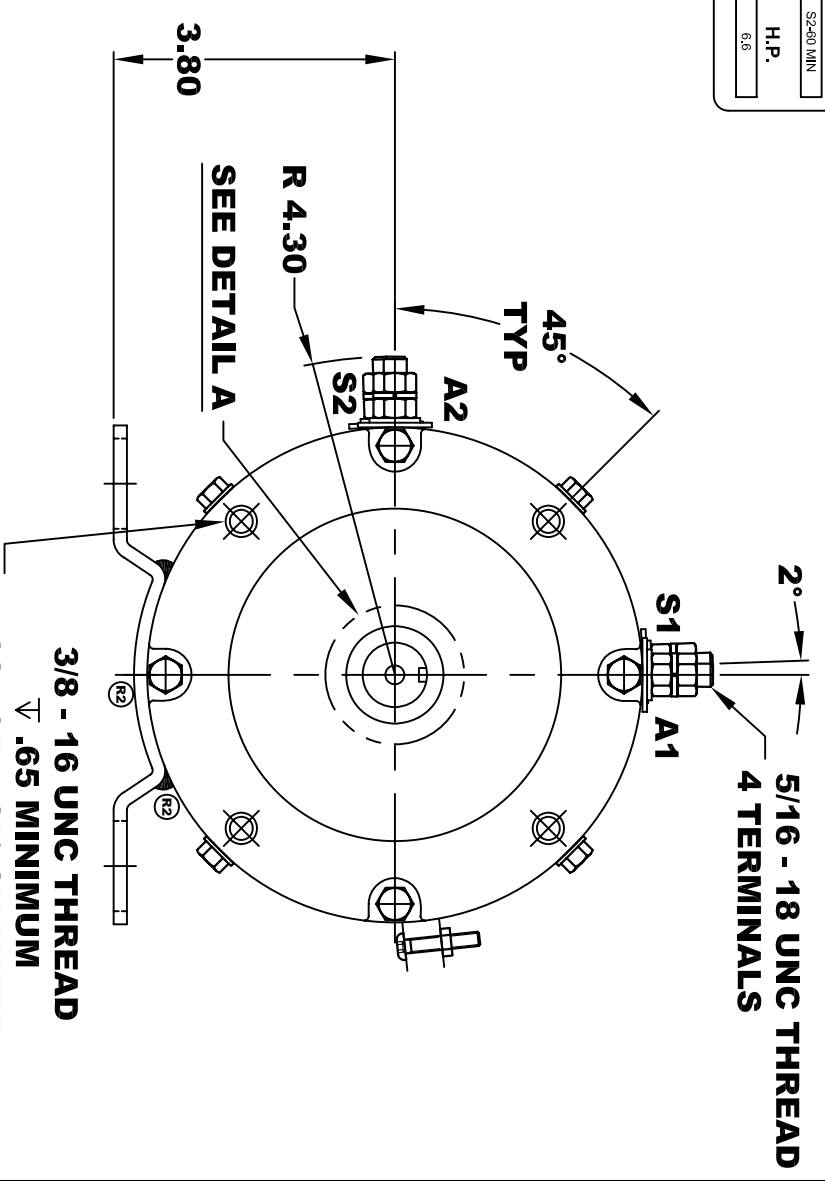


**TORQUE SPECIFICATION FOR
POWER CABLE SECURING TOP NUTS
5/16-18 UNC - 110 IN / LBS MAX**

D&D MOTOR SYSTEMS INC.			
SYRACUSE N.Y.			
A2	Model # ES-37C-3		A1
S2	Mfg. Date	Serial #	Rating
	XXXXXX	XXXX	CLASS -H-
	Voltage	Current	R.P.M.
	48	132	3160
	MADE IN U.S.A.		Duty
			S2-40 MIN
			H.P.
			6.6



**MOTOR WEIGHT: 51 LBS
CLASS "H" INSULATION
PERFORMANCE SPEC: 3**



ELECTRICAL WIRING DIAGRAM

MOTOR WIRING CONNECTIONS:
 Ⓜ MOTOR TO BE OPERATED IN CW/DE ROTATION
 CW ROTATION DRIVE END
 CONNECT S2 & A1 TOGETHER
 CONNECT S1 TO BATTERY TERMINAL
 CONNECT A2 TO OTHER BATTERY TERMINAL
 CCW ROTATION DRIVE END
 SWITCH S1 & S2 CONNECTIONS

THIS PRINT IS THE PROPERTY OF D&D MOTOR SYSTEMS INC.
 DO NOT SCALE
 WORK TO DIMENSIONS
 TOLERANCES UNLESS OTHERWISE SPECIFIED ARE AS FOLLOWS
 .XX _____ .01
 .XXX _____ .005
 .XX ROUGH CASTING _____ .03
 HOLES _____ -.001 / +.006
 ANGLES _____ 0°30"

D & D MOTOR SYSTEMS INC			
MOTOR OUTLINE			
SIZE	DRAWN DATE	RELEASE DATE	DWG NO. / PART NO.
B	9-17-03		ES-37C-3
SCALE	STF	DRAWN BY	REV DATE
		MJG	11-18-04
			REV
			R2