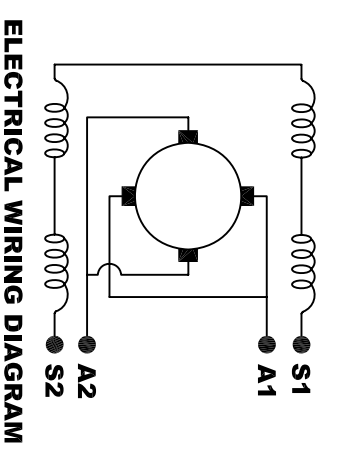
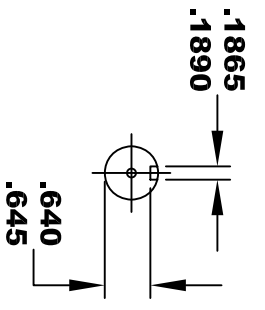
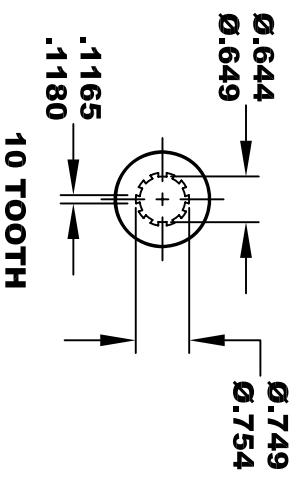
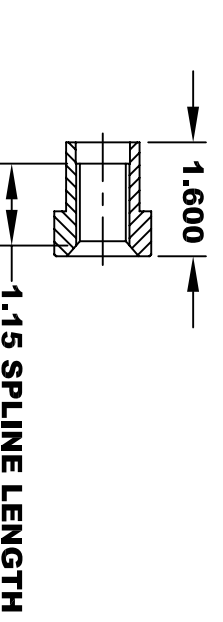
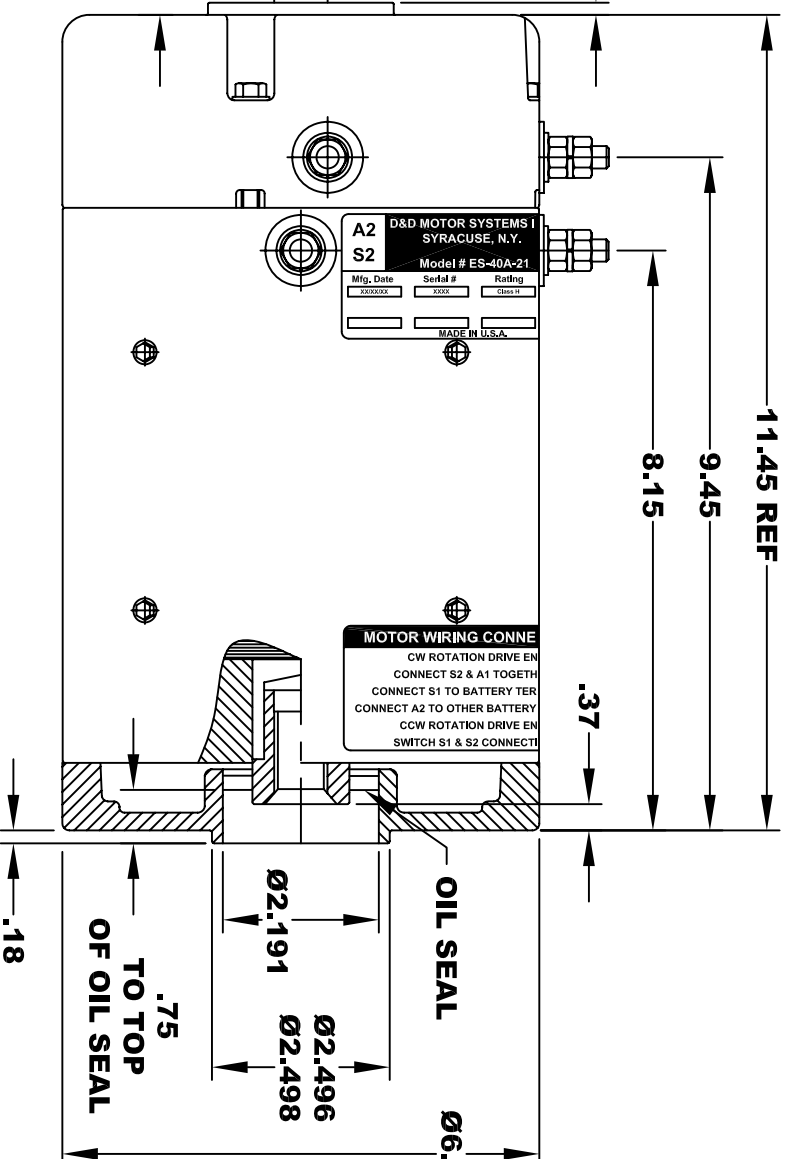
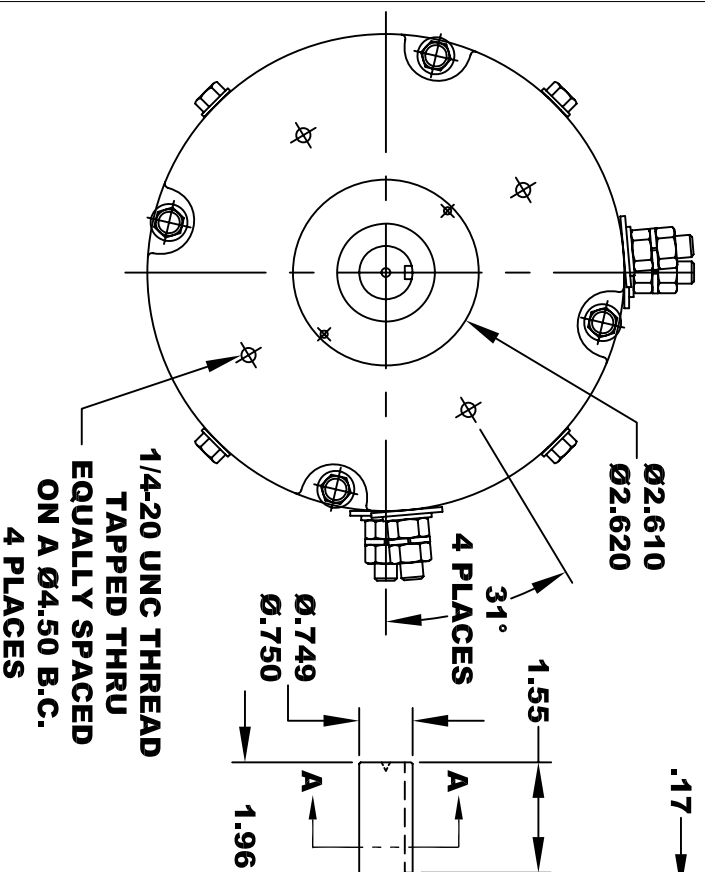
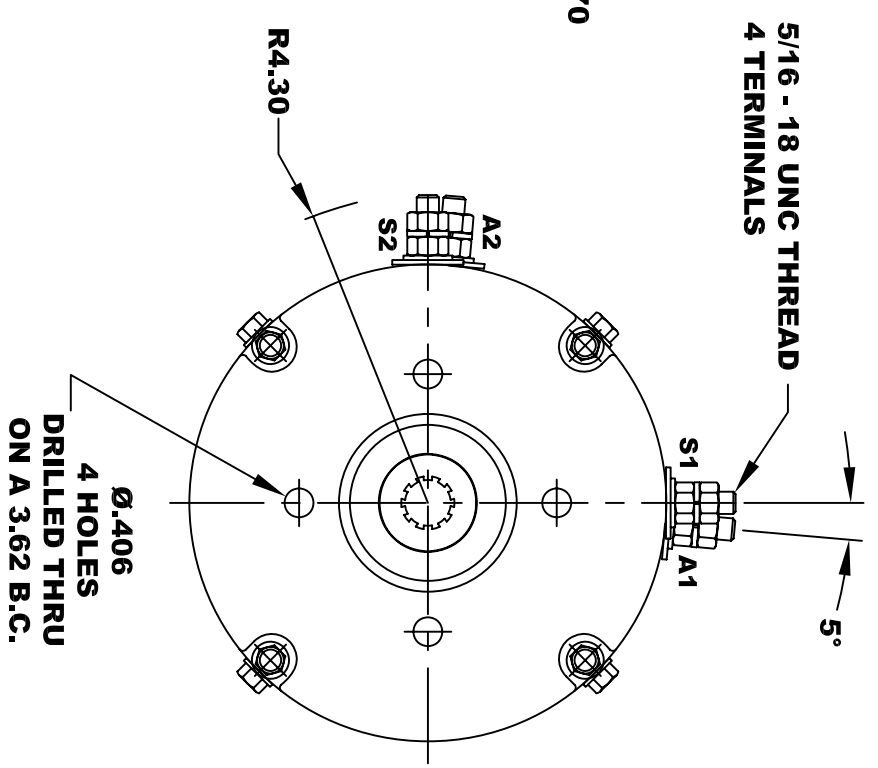


D&D MOTOR SYSTEMS INC.			
SYRACUSE N.Y.			
A2	S2	Model # ES-40A-21	A1
Mfg. Date	Serial #	Rating	Voltage
XXXXXX	XXXX	CLASS-H	36 / 48
MADE IN U.S.A.			



MOTOR WIRING CONNECTIONS:
 CW ROTATION DRIVE END
 CONNECT S2 & A1 TOGETHER
 CONNECT S1 TO BATTERY TERMINAL
 CONNECT A2 TO OTHER BATTERY TERMINAL
 CCW ROTATION DRIVE END
 SWITCH S1 & S2 CONNECTIONS



**TORQUE SPECIFICATION FOR
 POWER CABLE SECURING TOP NUTS
 5/16-18 UNC - 110 IN / LBS MAX**

**MOTOR WEIGHT: 61 LBS
 CLASS "H" INSULATION
 PERFORMANCE SPEC: 21**

THIS PRINT IS THE PROPERTY OF D&D MOTOR SYSTEMS INC.
 DO NOT SCALE
 WORK TO DIMENSIONS
 TOLERANCES UNLESS OTHERWISE SPECIFIED ARE AS FOLLOWS
 .XX _____ .01
 .XXX _____ .005
 .XX ROUGH CASTING _____ .03
 HOLES _____ -.001 / +.006
 ANGLES _____ 0°30"

D & D MOTOR SYSTEMS INC
MOTOR OUTLINE

SIZE	DRAWN DATE	RELEASE DATE	DWG NO. / PART NO.	REV
B	3-31-11		ES-40A-21	
SCALE	STF	DRAWN BY	MJG	REV DATE