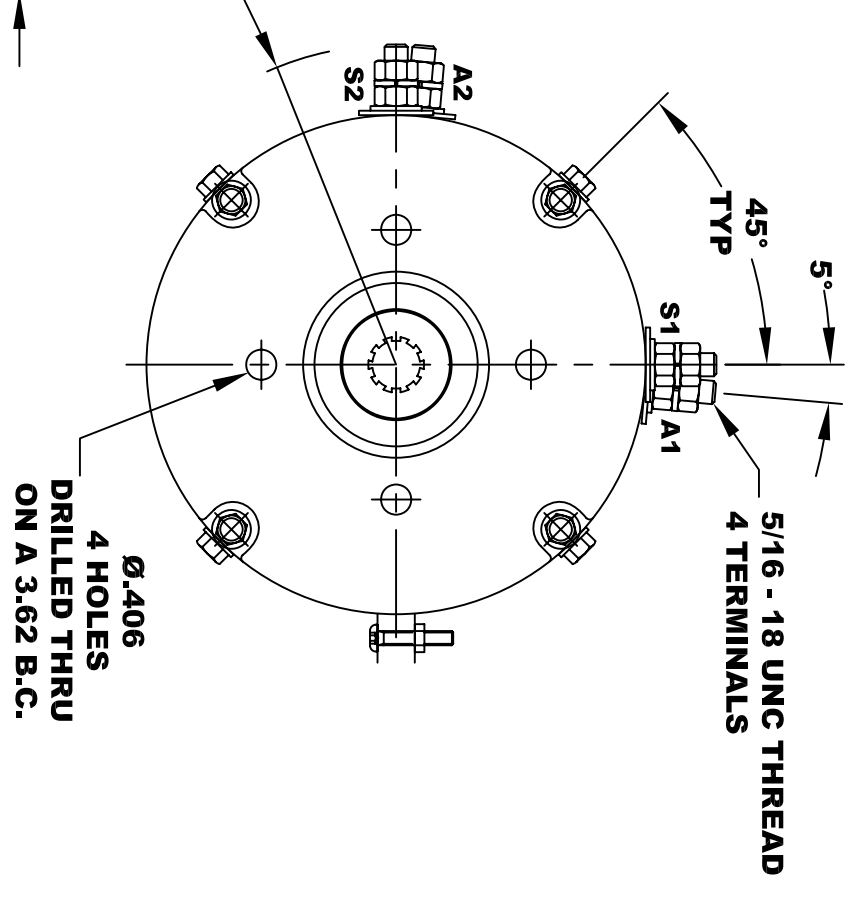
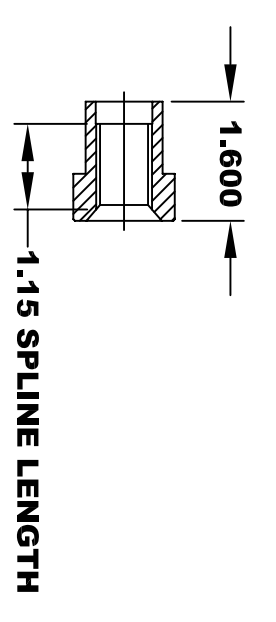
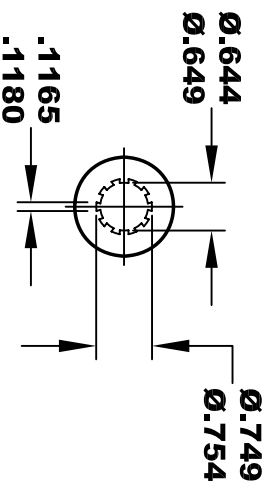
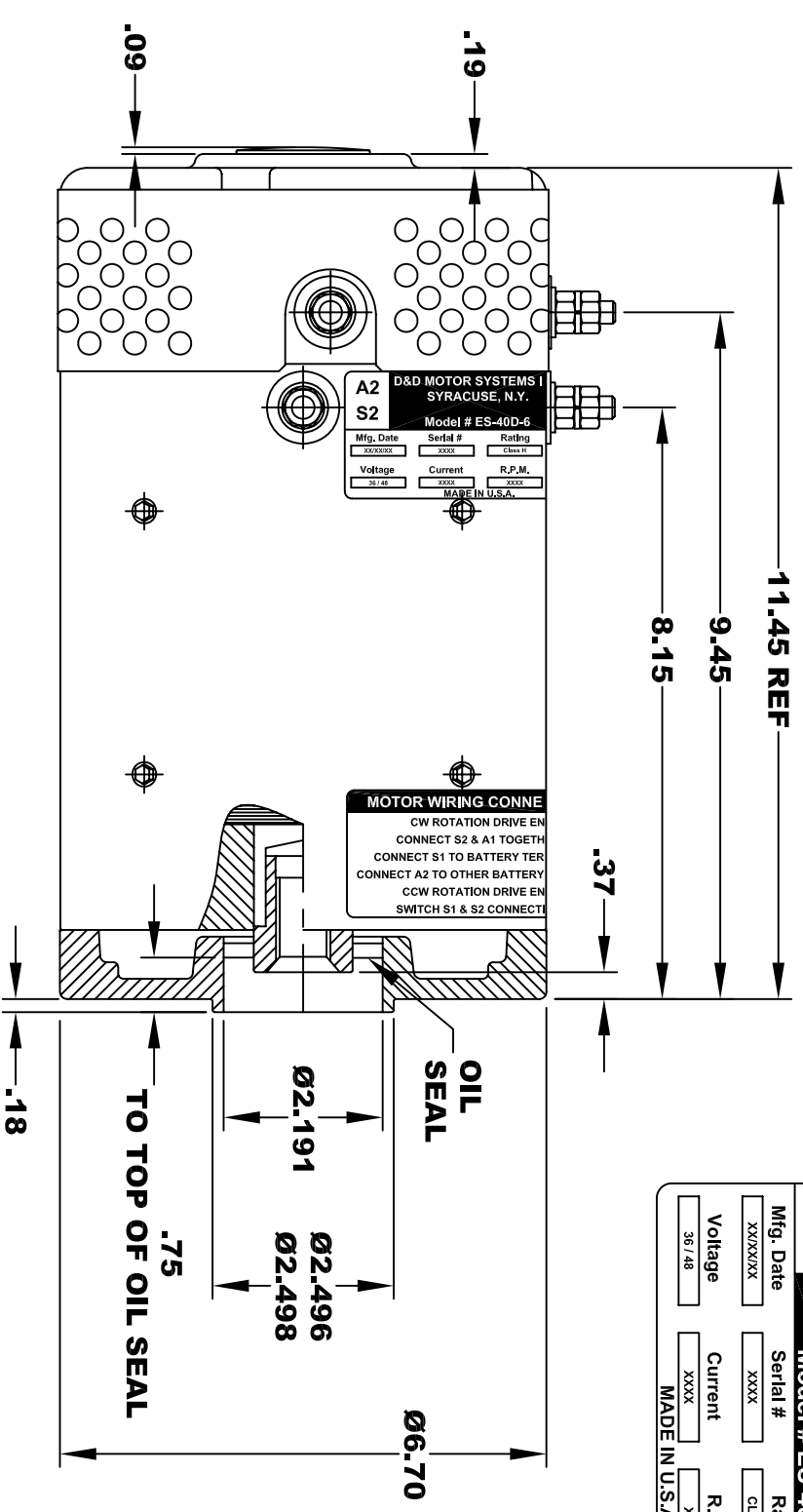


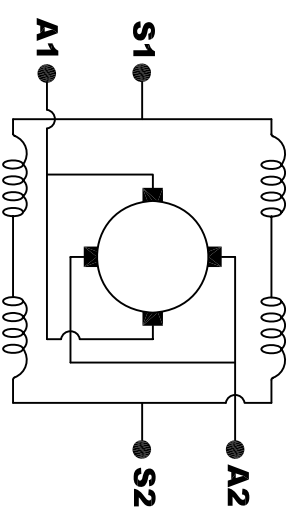
**TORQUE SPECIFICATION FOR
POWER CABLE SECURING TOP NUTS
5/16-18 UNC - 110 IN / LBS MAX**

D&D MOTOR SYSTEMS INC.				A1
SYRACUSE N.Y.				S1
Model # ES-40D-6				
Mfg. Date	Serial #	Rating	Duty	
XXXXXX	XXXX	CLASS H	XXXX	
Voltage	Current	R.P.M.	H.P.	
36/48	XXXX	XXXX	XXXX	
MADE IN U.S.A.				



**10 TOOTH
INTERNAL SPLINE
HARDNESS OF SPLINE
TO BE R/C 46 - 53 (.02 DEPTH MIN)**

**MOTOR WEIGHT: 61 LBS
CLASS "H" INSULATION
PERFORMANCE SPEC: 6**



ELECTRICAL WIRING DIAGRAM

**MOTOR WIRING CONNECTIONS:
CW ROTATION DRIVE END
CONNECT S2 & A1 TOGETHER
CONNECT S1 TO BATTERY TERMINAL
CCW ROTATION DRIVE END
CONNECT A2 TO OTHER BATTERY TERMINAL
CONNECT S1 & S2 CONNECTIONS**

THIS PRINT IS THE PROPERTY OF D&D MOTOR SYSTEMS INC.
DO NOT SCALE
WORK TO DIMENSIONS
TOLERANCES UNLESS OTHERWISE SPECIFIED ARE AS FOLLOWS
.XX .005
.XXX .01
.XX RROUGH CASTING .03
HOLES -.001 / +.006
ANGLES 0°30"

D & D MOTOR SYSTEMS INC			
MOTOR OUTLINE			
SIZE	DRAWN DATE	RELEASE DATE	DWG NO. / PART NO.
B	6-22-06		ES-40D-6
SCALE	STF	DRAWN BY	MJG
			REV DATE
			R1 9-9-15