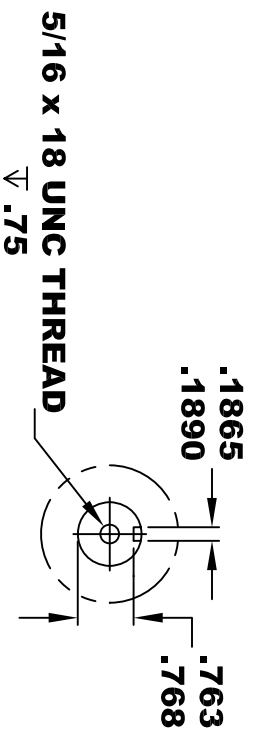
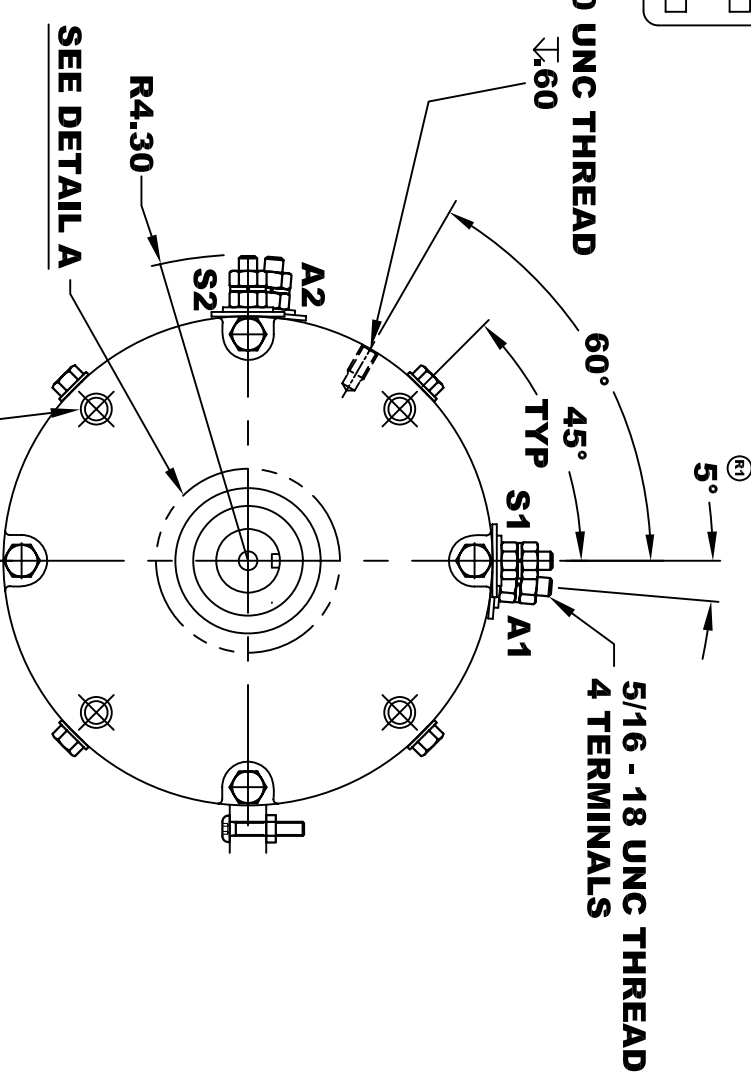
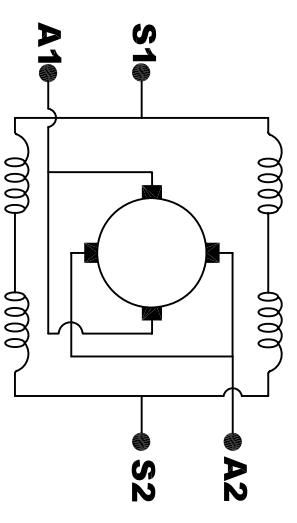


D&D MOTOR SYSTEMS INC.		A1	
SYRACUSE N.Y.		S1	
Model # ES-46B			
Mfg. Date	Serial #	Rating	Duty
XXXXXX	XXXX	CLASS -H-	SZ-XX MIN
Voltage	Current	R.P.M.	H.P.
XX	XXXX	XXXX	XX
MADE IN U.S.A.			

**TORQUE SPECIFICATION FOR
POWER CABLE SECURING TOP NUTS
5/16-18 UNC - 110 IN / LBS MAX**



**MOTOR WEIGHT: 51 LBS
CLASS "H" INSULATION
PERFORMANCE SPEC: 2**



ELECTRICAL WIRING DIAGRAM

MOTOR WIRING CONNECTIONS:
CW ROTATION DRIVE END
 CONNECT S2 & A1 TOGETHER
 CONNECT S1 TO BATTERY TERMINAL
CCW ROTATION DRIVE END
 CONNECT A2 TO OTHER BATTERY TERMINAL
 SWITCH S1 & S2 CONNECTIONS

THIS PRINT IS THE PROPERTY OF D&D MOTOR SYSTEMS INC.
 DO NOT SCALE
 WORK TO DIMENSIONS
 TOLERANCES UNLESS OTHERWISE SPECIFIED ARE AS FOLLOWS

.XXX .005
 .XX .01
 .XX ROUGH CASTING .03
 HOLES -.001 / +.006
 ANGLES 0°30"

D & D MOTOR SYSTEMS INC		MOTOR OUTLINE	
SIZE	DRAWN DATE	RELEASE DATE	DWG NO. / PART NO.
B	7-14-03		ES-46B
SCALE	STF	DRAWN BY	REV DATE
		MJG	11-21-03
			REV
			R1