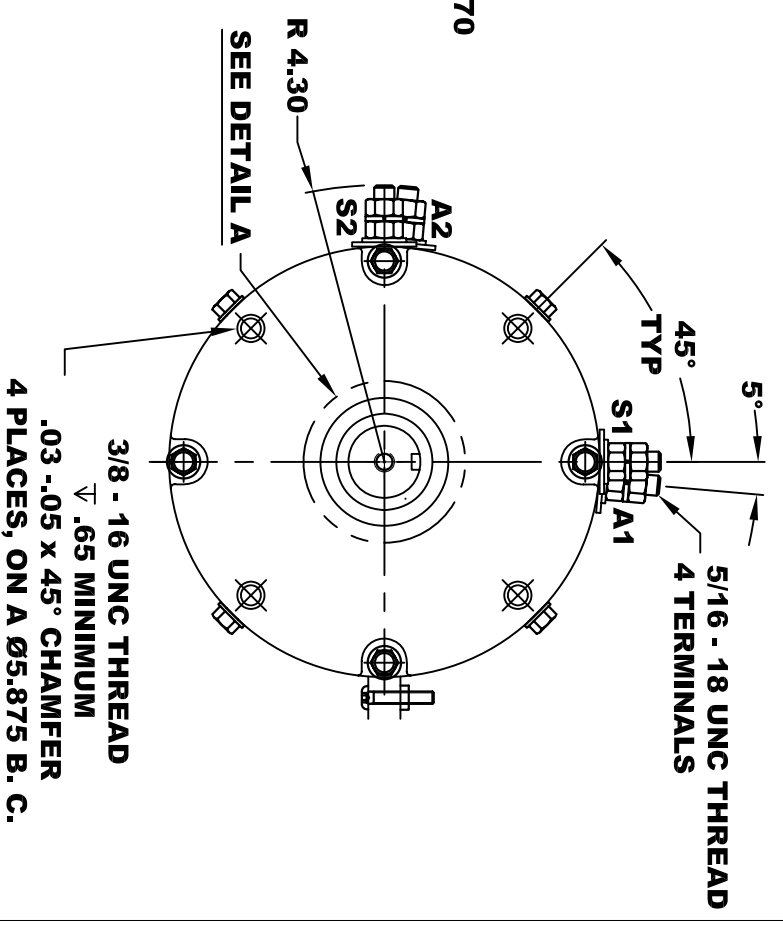
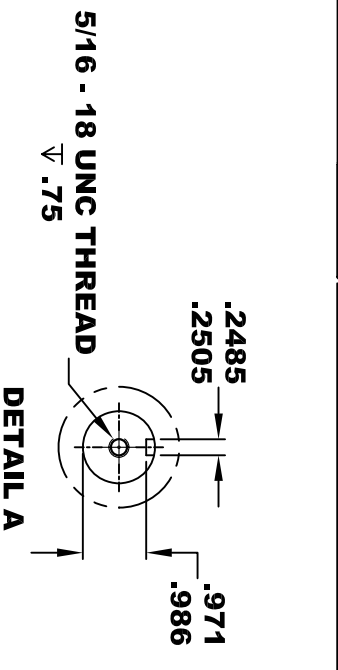
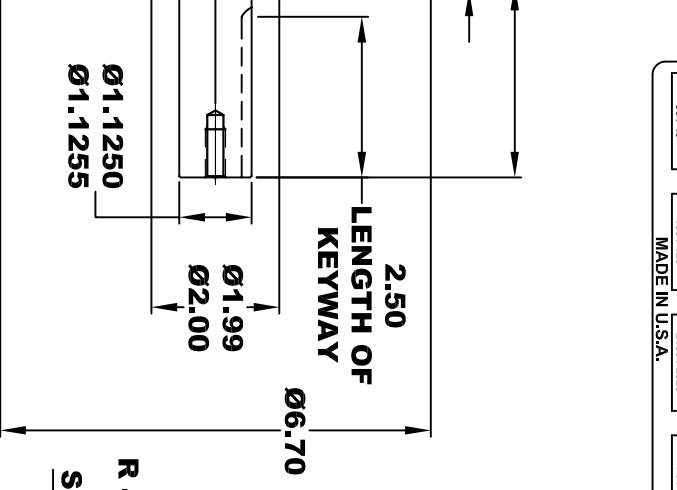
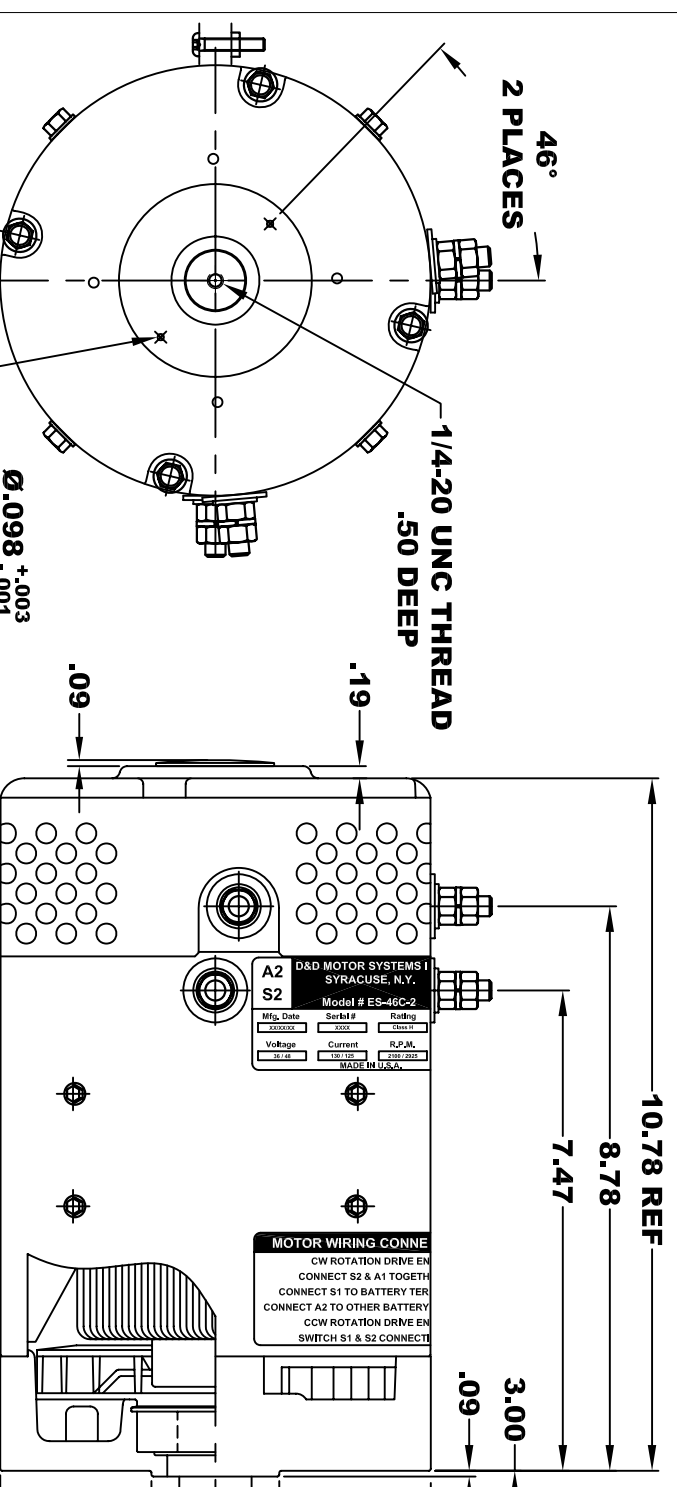
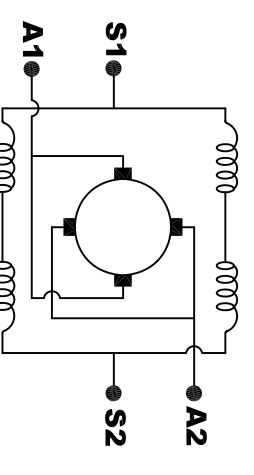


|                                   |           |             |             |
|-----------------------------------|-----------|-------------|-------------|
| <b>D&amp;D MOTOR SYSTEMS INC.</b> |           | <b>A2</b>   | <b>A1</b>   |
| <b>SYRACUSE N.Y.</b>              |           | <b>S2</b>   | <b>S1</b>   |
| <b>Model # ES-46C-2</b>           |           |             |             |
| Mfg. Date                         | Serial #  | Rating      | Duty        |
| XXXX/XX                           | XXXX      | Class H     | S2 - 60 MIN |
| Voltage                           | Current   | R.P.M.      | H.P.        |
| 36 / 48                           | 130 / 125 | 2100 / 2925 | 4.8 / 6.1   |
| MADE IN U.S.A.                    |           |             |             |

**TORQUE SPECIFICATION FOR  
POWER CABLE SECURING TOP NUTS  
5/16-18 UNC - 110 IN / LBS MAX**



**MOTOR WEIGHT: 51 LBS  
CLASS "H" INSULATION  
PERFORMANCE SPEC: 2**



**ELECTRICAL WIRING DIAGRAM**

**MOTOR WIRING CONNECTIONS:**  
**CW ROTATION DRIVE END**  
 CONNECT S2 & A1 TOGETHER  
 CONNECT S1 TO BATTERY TERMINAL  
**CCW ROTATION DRIVE END**  
 CONNECT A2 TO OTHER BATTERY TERMINAL  
 SWITCH S1 & S2 CONNECTIONS

THIS PRINT IS THE PROPERTY OF D&D MOTOR SYSTEMS INC.  
 DO NOT SCALE  
 WORK TO DIMENSIONS  
 TOLERANCES UNLESS OTHERWISE SPECIFIED ARE AS FOLLOWS  
 .XX \_\_\_\_\_ .01  
 .XXX \_\_\_\_\_ .005  
 .XX ROUGH CASTING \_\_\_\_\_ .03  
 HOLES \_\_\_\_\_ -.001 / +.006  
 ANGLES \_\_\_\_\_ 0°30"

|                                    |            |              |                    |
|------------------------------------|------------|--------------|--------------------|
| <b>D &amp; D MOTOR SYSTEMS INC</b> |            |              |                    |
| <b>MOTOR OUTLINE</b>               |            |              |                    |
| SIZE                               | DRAWN DATE | RELEASE DATE | DWG NO. / PART NO. |
| B                                  | 2-14-06    |              | ES-46C-2           |
| SCALE                              | STF        | DRAWN BY     | MJG                |
|                                    |            |              | REV DATE           |
|                                    |            |              | 9-3-08             |