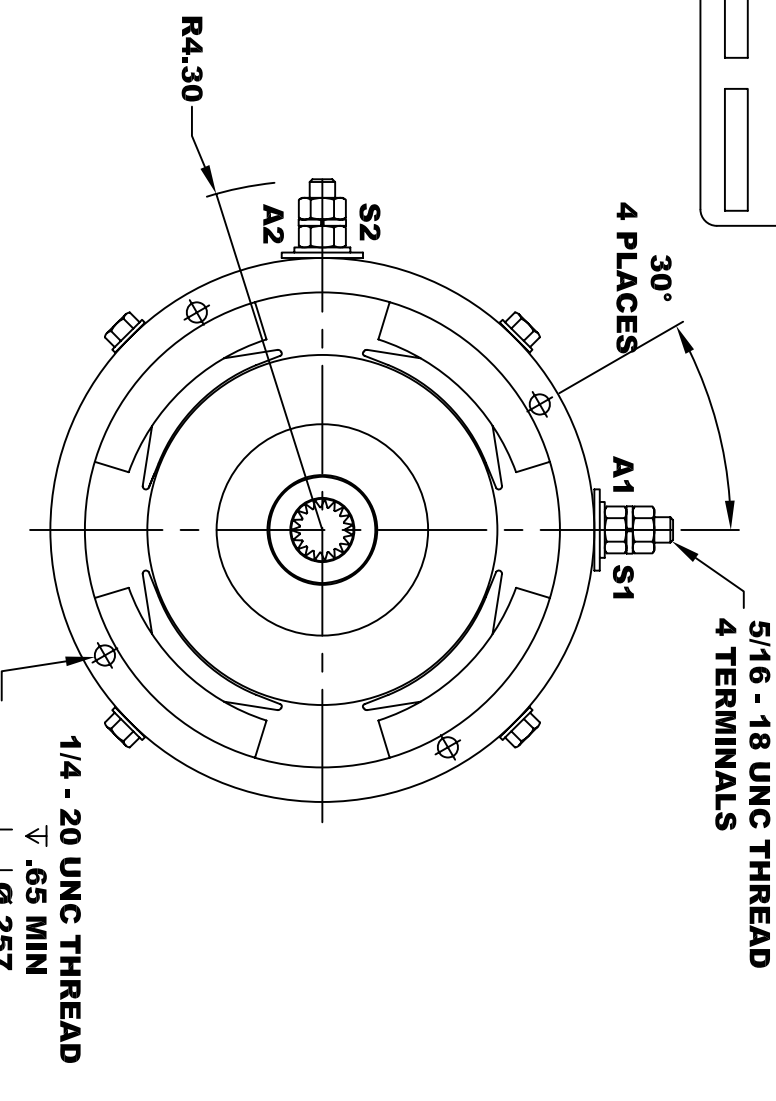


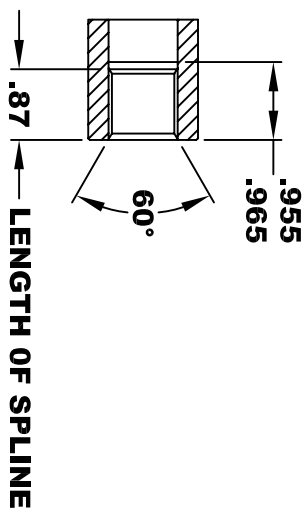
<b>A2</b>		<b>D&amp;D MOTOR SYSTEMS INC.</b>		<b>A1</b>	
<b>S2</b>		<b>SYRACUSE N.Y.</b>		<b>S1</b>	
Model # ES-52-56					
Mfg. Date	Serial #	Rating	Voltage		
XX/XX/XX	XXXX	CLASS H	XX	MADE IN U.S.A.	

**TORQUE SPECIFICATION FOR  
POWER CABLE SECURING TOP NUTS  
5/16-18 UNC - 110 IN / LBS MAX**

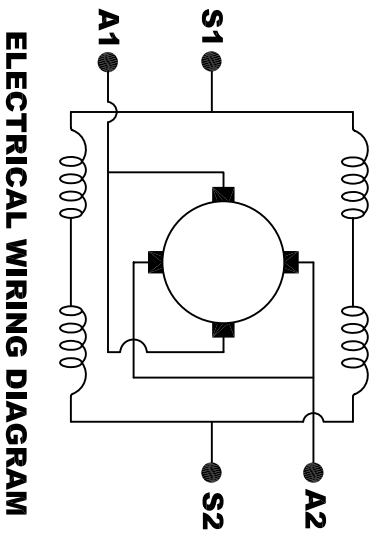


**INTERNAL INVOLUTE SPLINE SPECIFICATION  
CLASS 5 FILLET ROOT SIDE FIT (PER A.N.S.I. B92.1)**

- NO. OF TEETH \_\_\_\_\_ 19
- SPLINE PITCH \_\_\_\_\_ 24 / 48
- PRESSURE ANGLE \_\_\_\_\_ 45°
- BASE Ø \_\_\_\_\_ .5597 REF
- PITCH Ø \_\_\_\_\_ .7916 REF
- MAJOR Ø \_\_\_\_\_ .850 - .859
- FORM Ø \_\_\_\_\_ .835
- MINOR Ø \_\_\_\_\_ .767 - .772
- CIRCULAR SPACE WIDTH \_\_\_\_\_ .0764
- EFFECTIVE SPACE WIDTH \_\_\_\_\_ .0738
- MAX. DIMENSION BETWEEN \_\_\_\_\_
- TWO PINS \_\_\_\_\_ .6714
- PIN Ø \_\_\_\_\_ .0800
- SPLINE HARDNESS TO BE R/C 26-34



**MOTOR WEIGHT: 57 LBS  
CLASS "H" INSULATION  
PERFORMANCE SPEC: 56**



**ELECTRICAL WIRING DIAGRAM**

**MOTOR WIRING CONNECTIONS:  
CW ROTATION DRIVE END  
CONNECT S2 & A1 TOGETHER  
CONNECT S1 TO BATTERY TERMINAL  
CCW ROTATION DRIVE END  
CONNECT A2 TO OTHER BATTERY TERMINAL  
SWITCH S1 & S2 CONNECTIONS**

THIS PRINT IS THE PROPERTY OF D&D MOTOR SYSTEMS INC.  
DO NOT SCALE  
WORK TO DIMENSIONS  
TOLERANCES UNLESS OTHERWISE SPECIFIED ARE AS FOLLOWS

.XX	_____	.01
.XXX	_____	.005
.XX ROUGH CASTING	_____	.03
HOLES	_____	-.001 / +.006
ANGLES	_____	0°30"

<b>D &amp; D MOTOR SYSTEMS INC</b>			
<b>MOTOR OUTLINE</b>			
SIZE	DRAWN DATE	RELEASE DATE	REV
B	3-27-08	ES-52-56	
SCALE	DRAWN BY	REV DATE	
STF	MJG		