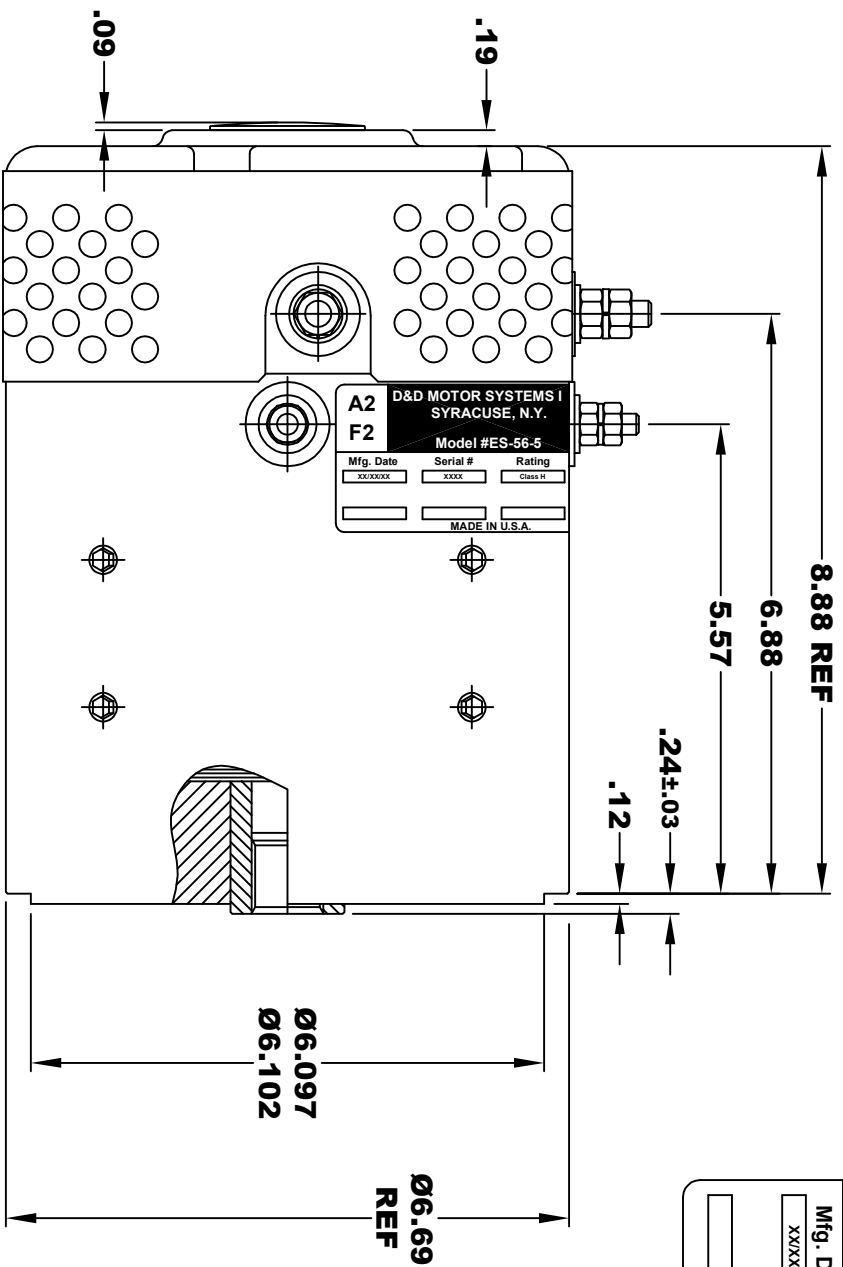
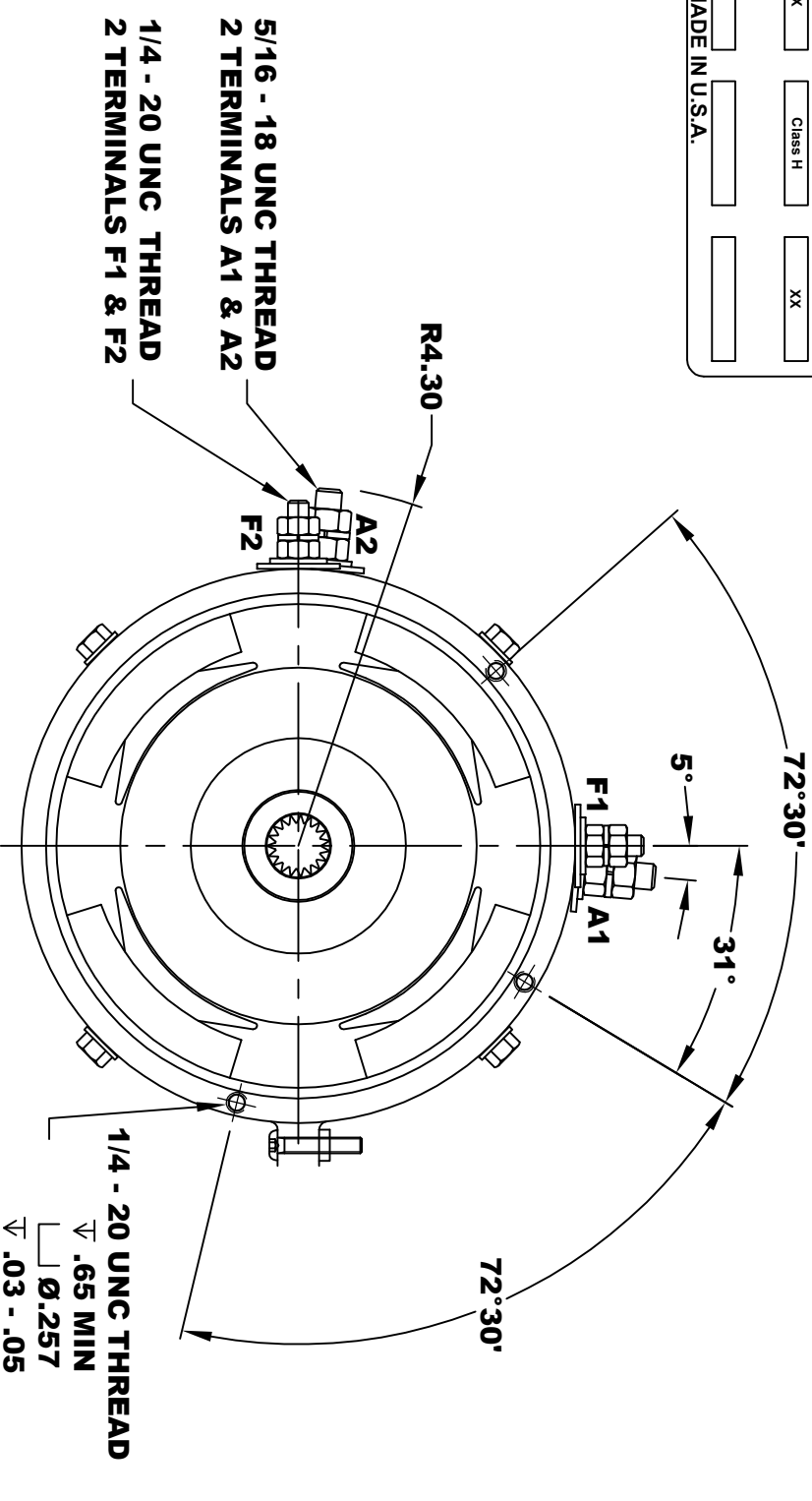


<b>D&amp;D MOTOR SYSTEMS INC.</b>			
<b>SYRACUSE N.Y.</b>			
<b>Model # ES-56-5</b>			
<b>A2</b>	<b>F2</b>	<b>A1</b>	<b>F1</b>
Mfg. Date	Serial #	Rating	Voltage
XXXXXX	XXXX	Class H	XX
MADE IN U.S.A.			

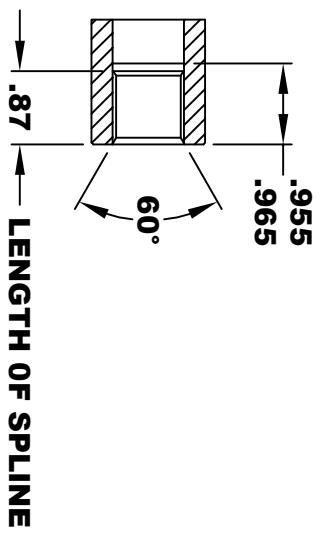


**TORQUE SPECIFICATION FOR POWER CABLE SECURING TOP NUTS**  
**5/16-18 UNC (A1 / A2) - 110 IN / LBS MAX**  
**1/4-20 UNC (F1 / F2) - 50 IN / LBS MAX**

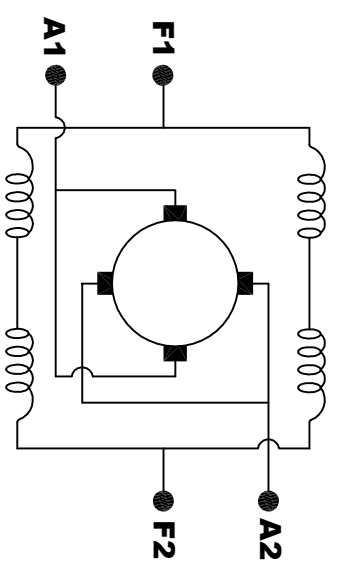


**INTERNAL INVOLUTE SPLINE SPECIFICATION CLASS 5 FILLET ROOT SIDE FIT (PER A.N.S.I. B92.1)**

- NO. OF TEETH \_\_\_\_\_ 19
- SPLINE PITCH \_\_\_\_\_ 24 / 48
- PRESSURE ANGLE \_\_\_\_\_ 45°
- BASE Ø \_\_\_\_\_ .5597 REF
- PITCH Ø \_\_\_\_\_ .7916 REF
- MAJOR Ø \_\_\_\_\_ .850 - .859
- FORM Ø \_\_\_\_\_ .835
- MINOR Ø \_\_\_\_\_ .767 - .772
- CIRCULAR SPACE WIDTH \_\_\_\_\_ .0764
- EFFECTIVE SPACE WIDTH \_\_\_\_\_ .0738
- MAX. DIMENSION BETWEEN TWO PINS \_\_\_\_\_ .6714
- PIN Ø \_\_\_\_\_ .0800
- SPLINE HARDNESS TO BE R/C 26-34



**MOTOR WEIGHT 46 LBS**  
**CLASS "H" INSULATION**  
**PERFORMANCE SPEC: 5**



**ELECTRICAL WIRING DIAGRAM**

**MOTOR WIRING CONNECTIONS:**  
**CW ROTATION DRIVE END**  
**CONNECT A1 & F1 TO ONE BATTERY TERMINAL**  
**CONNECT A2 & F2 TO OTHER BATTERY TERMINAL**  
**CCW ROTATION DRIVE END**  
**SWITCH F1 & F2 CONNECTIONS**

THIS PRINT IS THE PROPERTY OF D&D MOTOR SYSTEMS INC.  
 DO NOT SCALE  
 WORK TO DIMENSIONS  
 TOLERANCES UNLESS OTHERWISE SPECIFIED ARE AS FOLLOWS  
 .XX \_\_\_\_\_ .01  
 .XXX \_\_\_\_\_ .005  
 .XX ROUGH CASTING \_\_\_\_\_ .03  
 HOLES \_\_\_\_\_ .001 / +.006  
 ANGLES \_\_\_\_\_ 0.30"

**D & D MOTOR SYSTEMS INC**  
**MOTOR OUTLINE**

SIZE	DRAWN DATE	RELEASE DATE	DWG NO. / PART NO.	REV
B	3-6-18		ES-56-5	
SCALE	STF	DRAWN BY	MJG	REV DATE