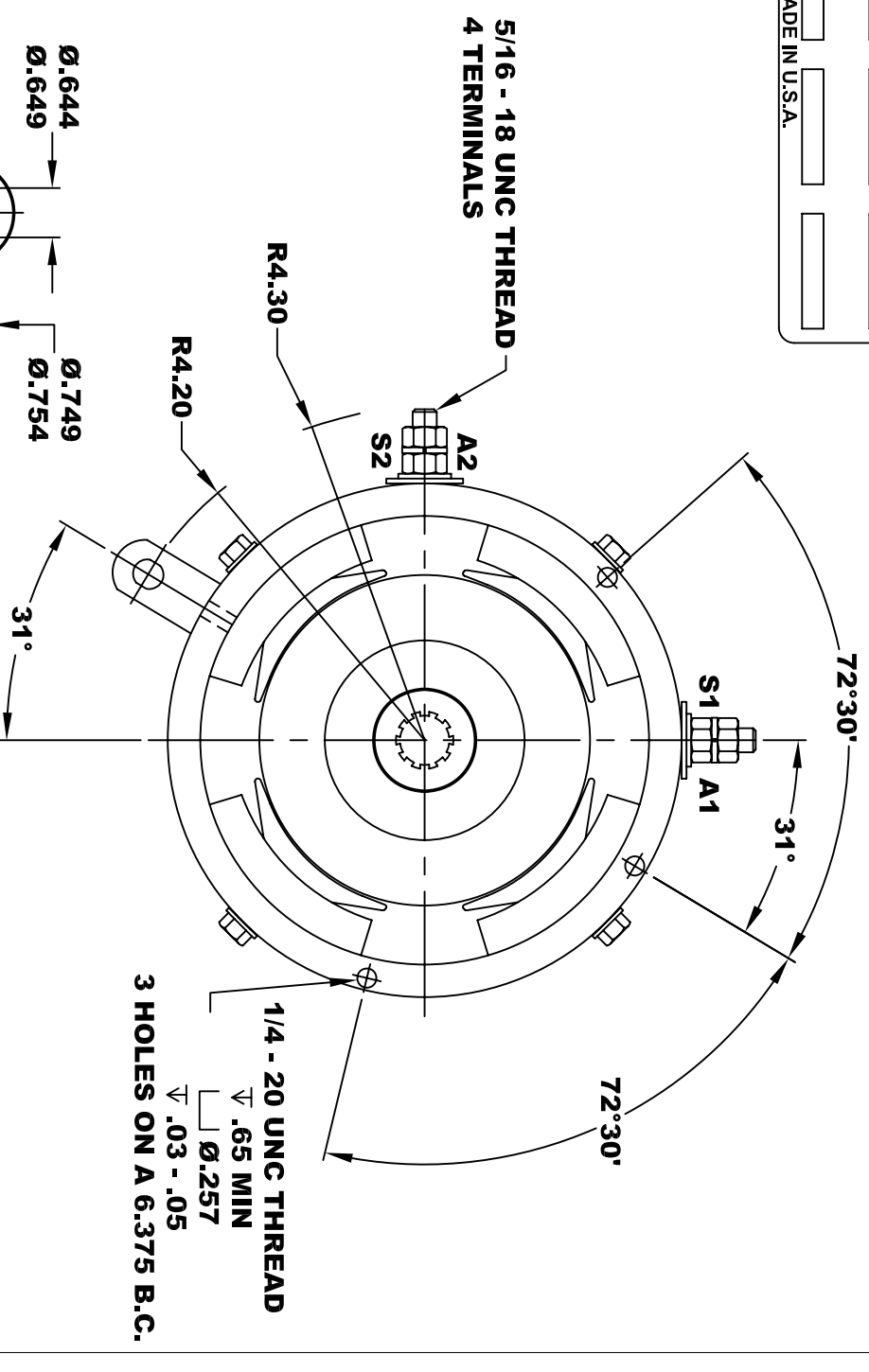
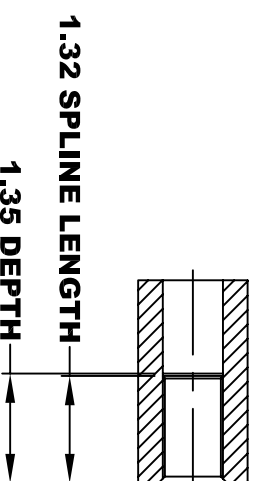
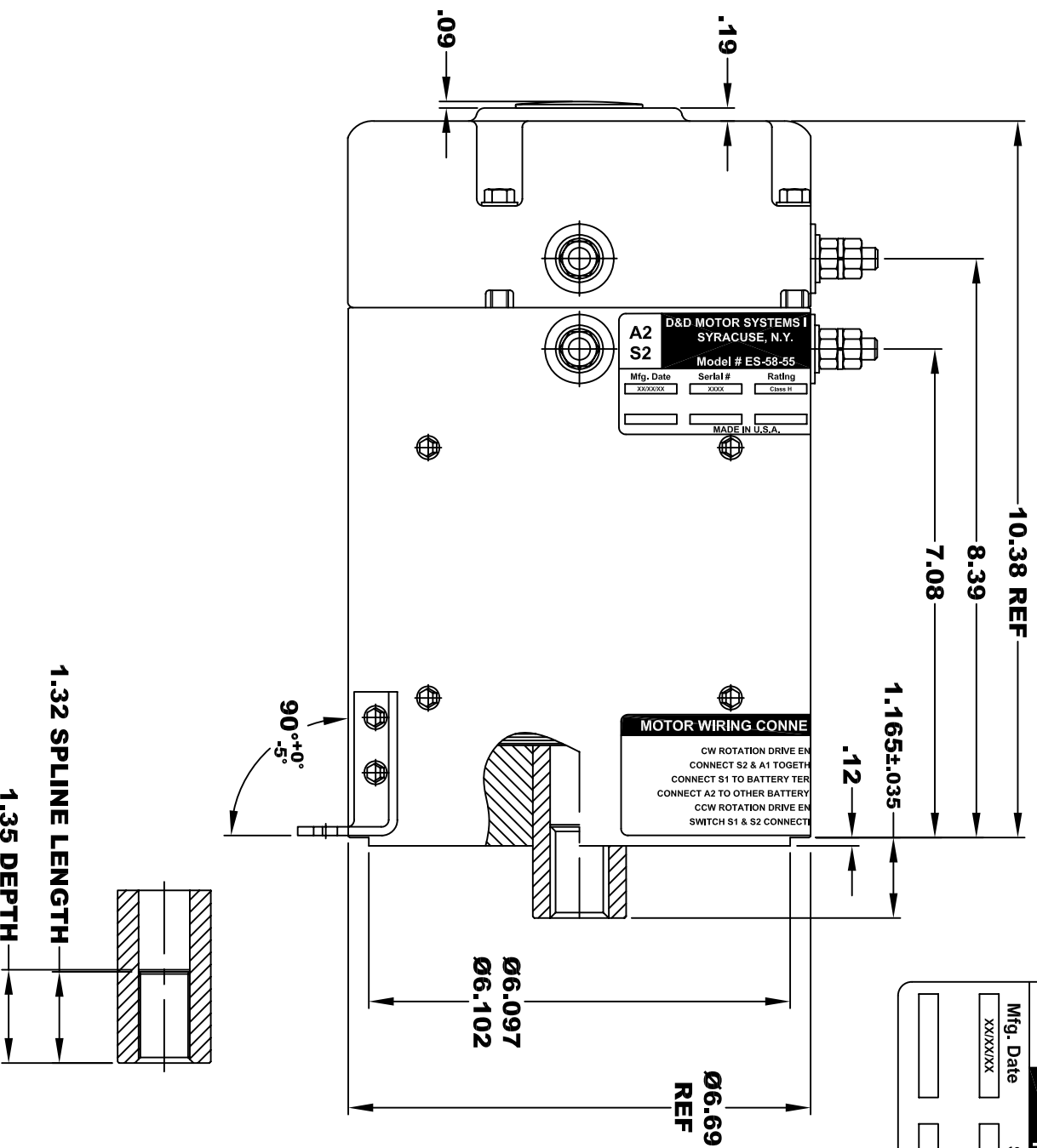


**TORQUE SPECIFICATION FOR
POWER CABLE SECURING TOP NUTS
5/16-18 UNC - 110 IN / LBS MAX**

D&D MOTOR SYSTEMS INC.			
SYRACUSE, N.Y.			
Model # ES-58-55			
A2	S2	A1	S1
Mfg. Date	Serial #	Rating	Voltage
XXXXXX	XXXX	CLASS-H	36 / 48
MADE IN U.S.A.			



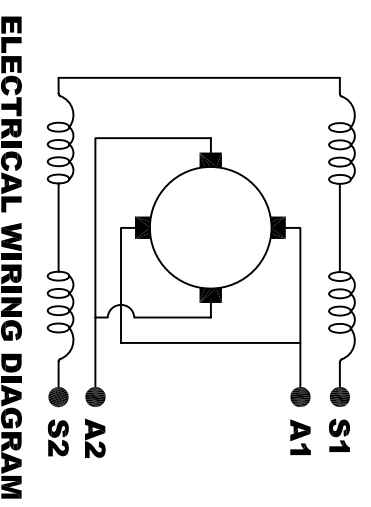
**MOTOR WEIGHT 58 LBS
CLASS "H" INSULATION
PERFORMANCE SPEC: 55**

D & D MOTOR SYSTEMS INC

MOTOR OUTLINE

THIS PRINT IS THE PROPERTY OF D&D MOTOR SYSTEMS INC.
DO NOT SCALE
WORK TO DIMENSIONS
TOLERANCES UNLESS OTHERWISE SPECIFIED ARE AS FOLLOWS
.XX _____ .01
.XXX _____ .005
.XX ROUGH CASTING _____ .03
HOLES _____ -.001 / +.006
ANGLES _____ 0°30"

SIZE	DRAWN DATE	RELEASE DATE	DWG NO. / PART NO.	REV
B	8-19-04		ES-58-55	
SCALE	STF	DRAWN BY	MJG	REV DATE



MOTOR WIRING CONNECTIONS:
CW ROTATION DRIVE END
CONNECT S2 & A1 TOGETHER
CONNECT S1 TO BATTERY TERMINAL
CCW ROTATION DRIVE END
CONNECT A2 TO OTHER BATTERY TERMINAL
SWITCH S1 & S2 CONNECTIONS

ELECTRICAL WIRING DIAGRAM