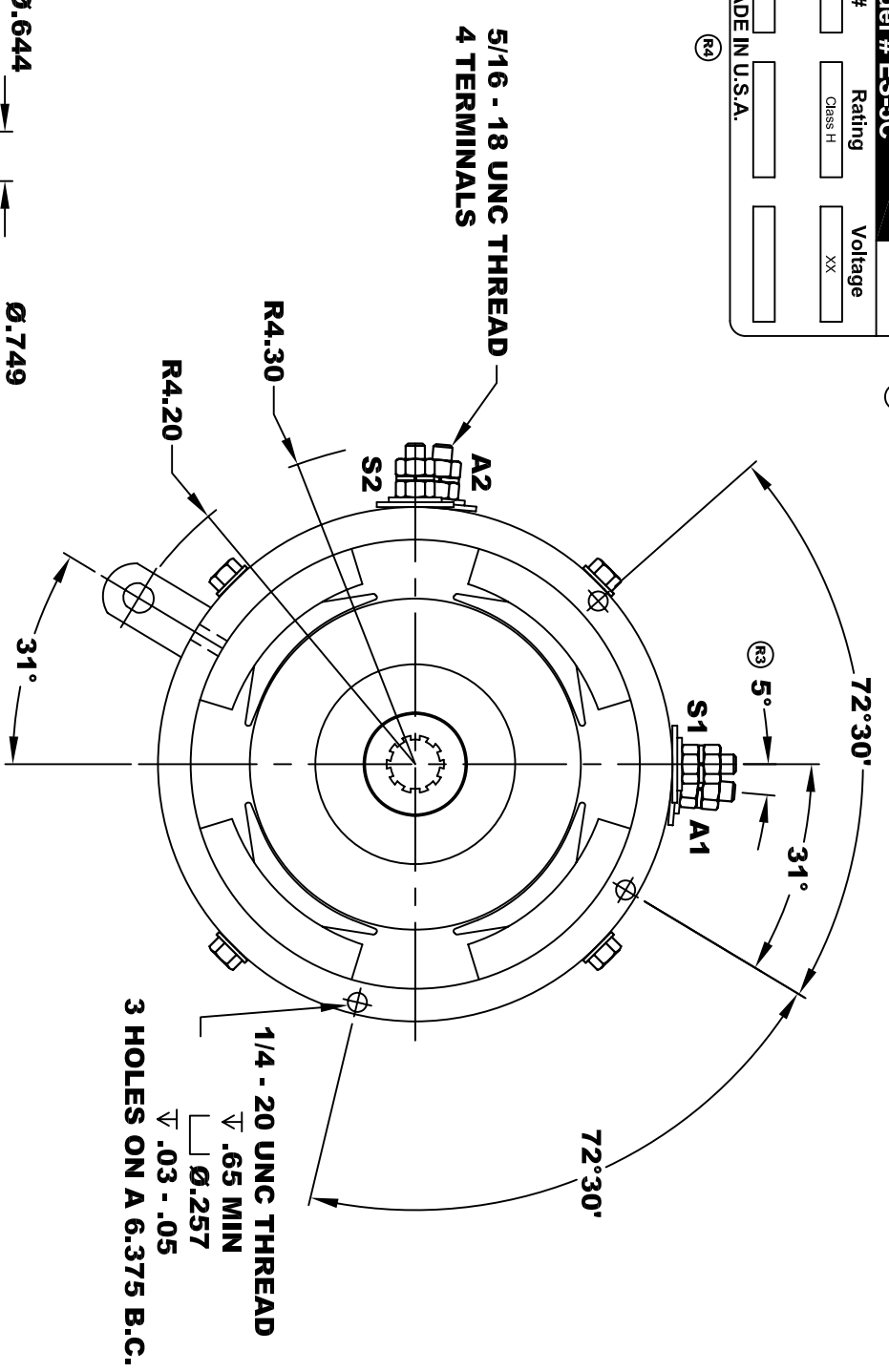
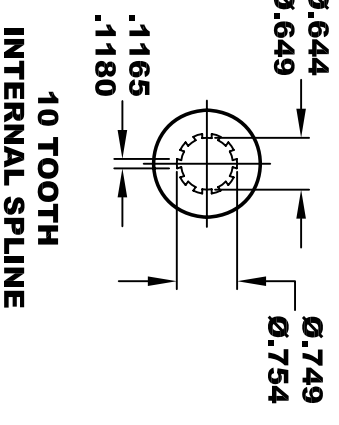
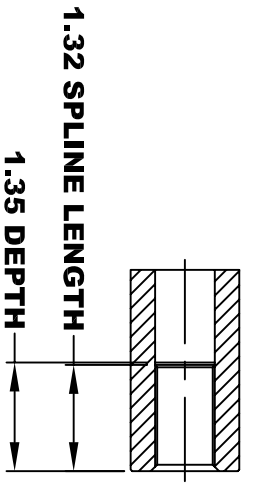
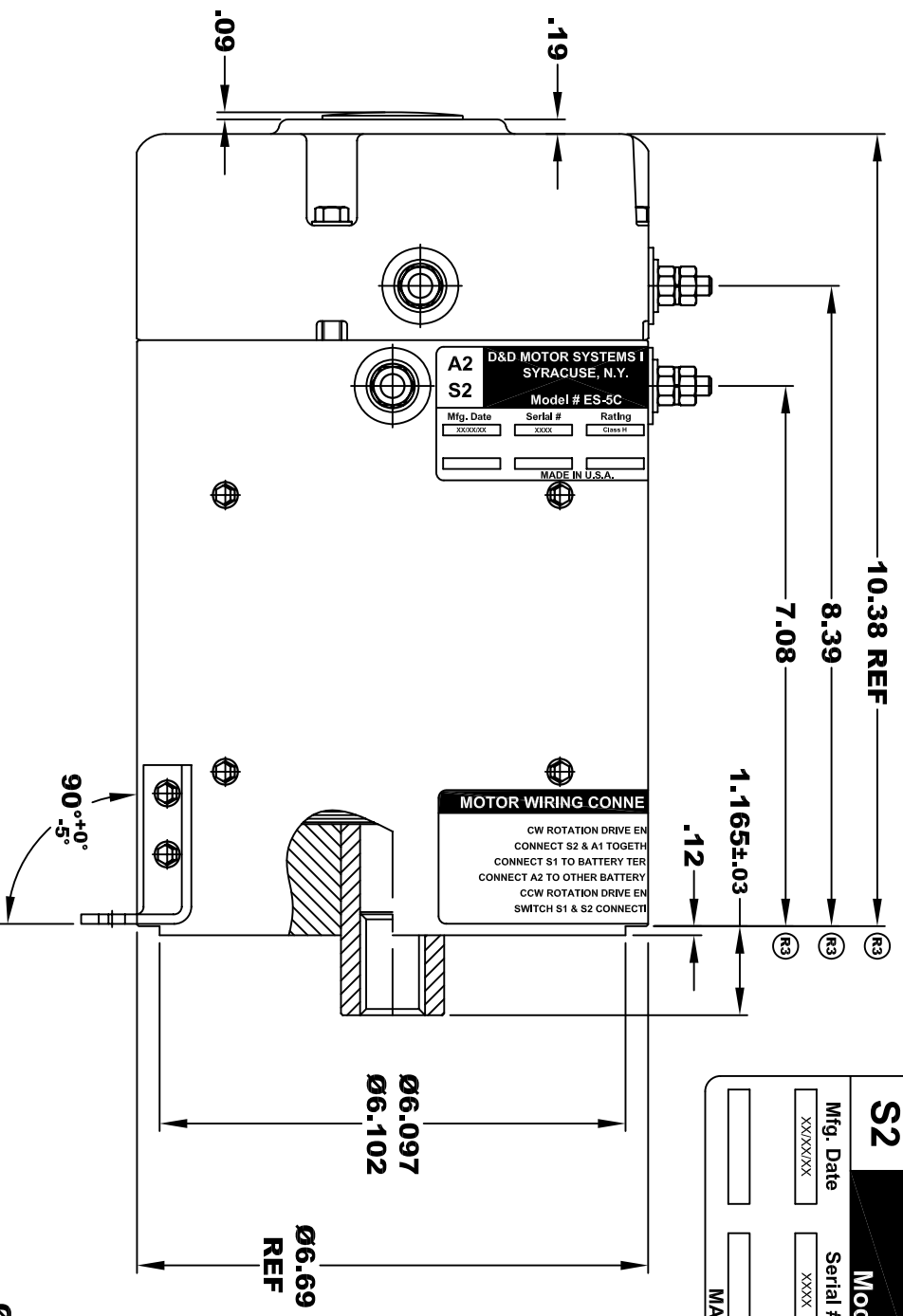
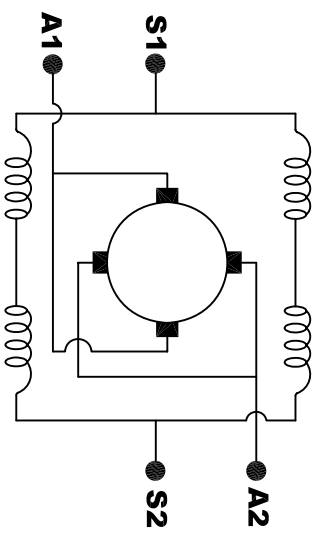


<b>D&amp;D MOTOR SYSTEMS INC.</b>			
<b>SYRACUSE N.Y.</b>			
<b>A2</b>	<b>Model # ES-5C</b>		<b>A1</b>
<b>S2</b>	Mfg. Date	Serial #	Rating
	XXXXXX	XXXX	Class H
			Voltage
			XX
			MADE IN U.S.A.



**TORQUE SPECIFICATION FOR POWER CABLE SECURING TOP NUTS**  
**5/16-18 UNC - 110 IN / LBS MAX**

**MOTOR WEIGHT 58 LBS**  
**CLASS "H" INSULATION**  
**PERFORMANCE SPEC: 9**



**ELECTRICAL WIRING DIAGRAM**

**MOTOR WIRING CONNECTIONS:**  
**CW ROTATION DRIVE END**  
**CONNECT S2 & A1 TOGETHER**  
**CONNECT S1 TO BATTERY TERMINAL**  
**CCW ROTATION DRIVE END**  
**CONNECT A2 TO OTHER BATTERY TERMINAL**  
**CONNECT S1 & S2 CONNECTIONS**

THIS PRINT IS THE PROPERTY OF D&D MOTOR SYSTEMS INC.  
 DO NOT SCALE  
 WORK TO DIMENSIONS  
 TOLERANCES UNLESS OTHERWISE SPECIFIED ARE AS FOLLOWS  
 .XX \_\_\_\_\_ .01  
 .XXX \_\_\_\_\_ .005  
 .XX ROUGH CASTING \_\_\_\_\_ .03  
 HOLES \_\_\_\_\_ -.001 / +.006  
 ANGLES \_\_\_\_\_ 0°30"

<b>D &amp; D MOTOR SYSTEMS INC</b>			
<b>MOTOR OUTLINE</b>			
SIZE	DRAWN DATE	RELEASE DATE	DWG NO. / PART NO.
B	9-27-02		ES-5C
SCALE	STF	DRAWN BY	MJG
			REV DATE
			R4 3-11-14