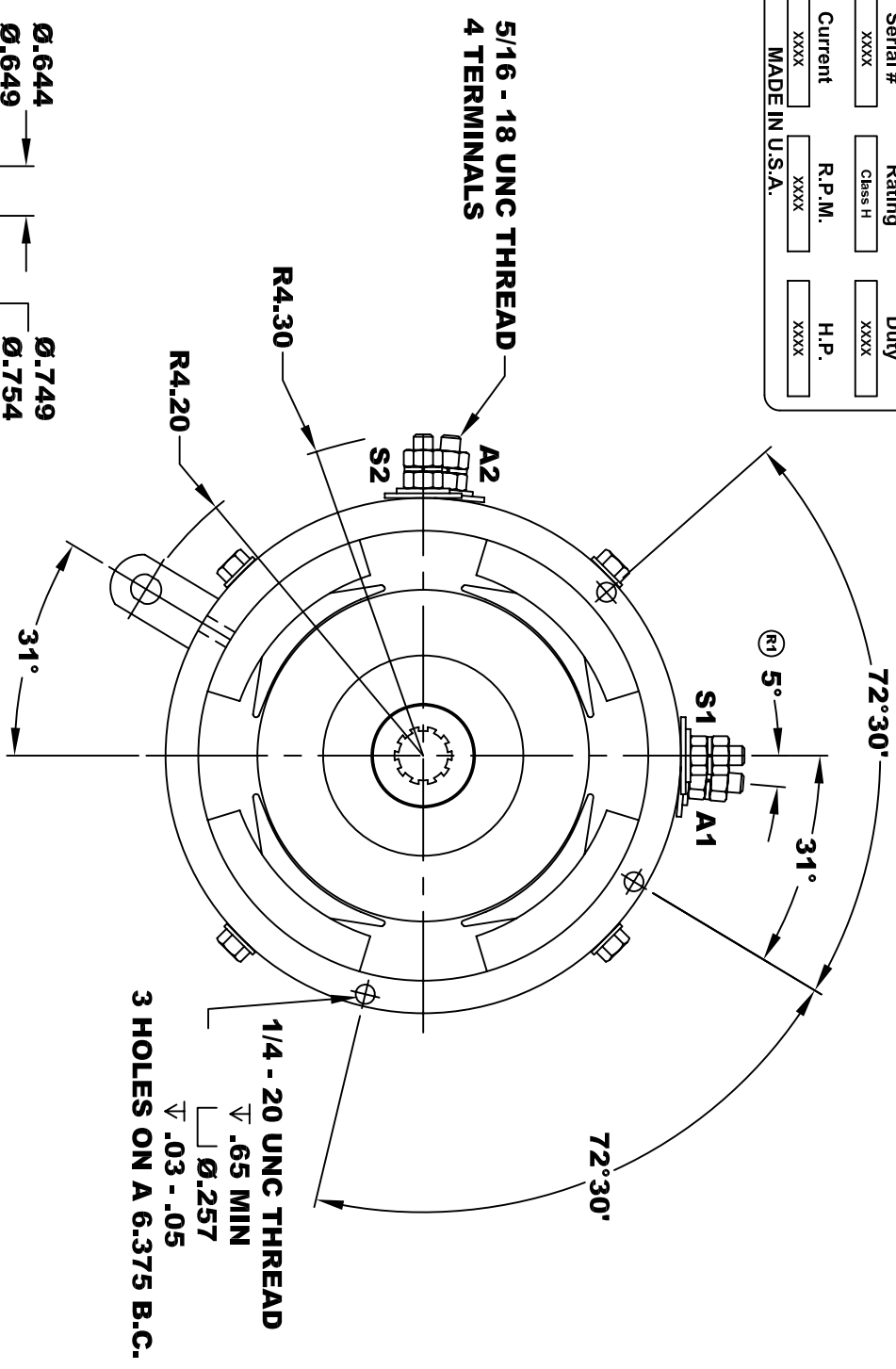
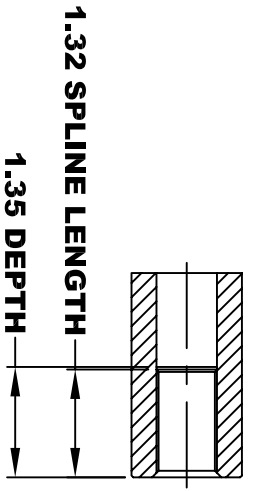
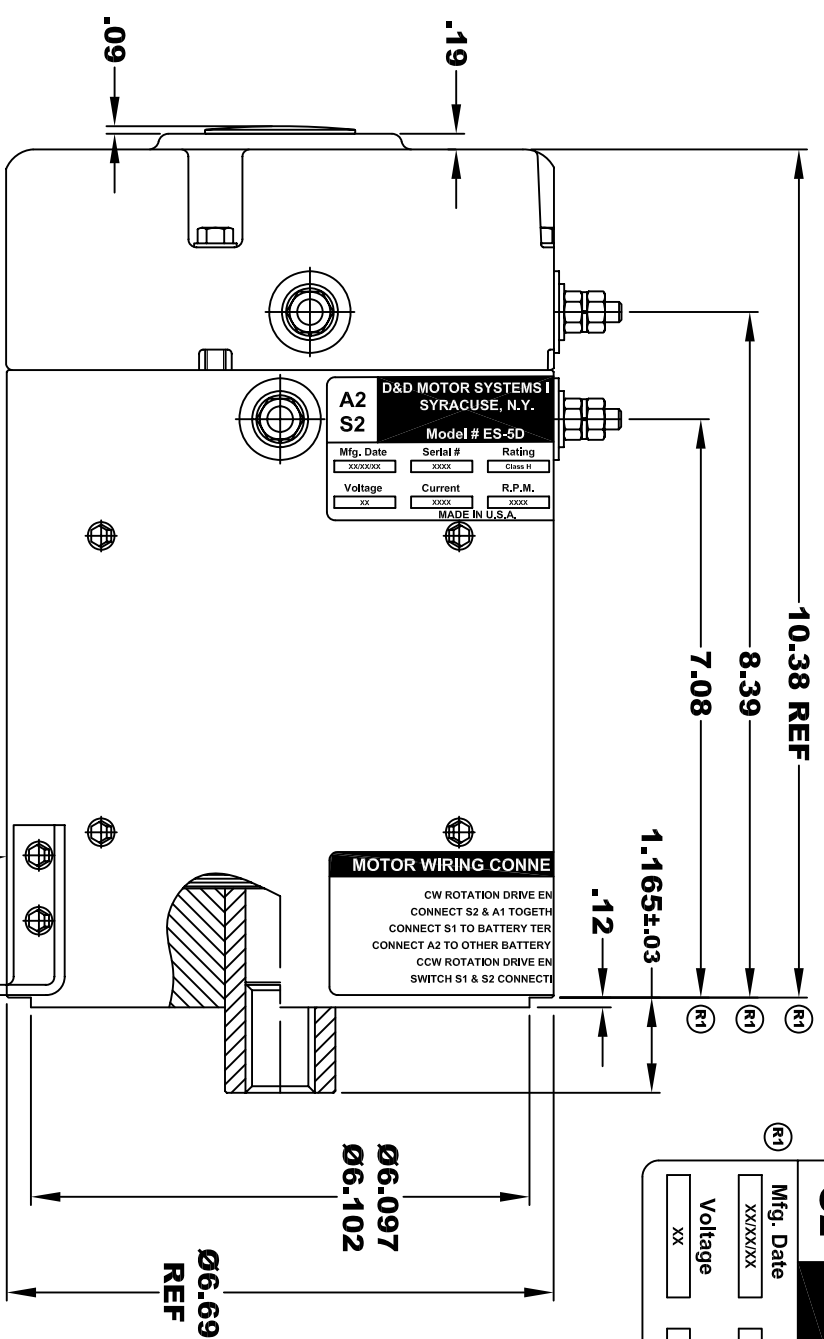
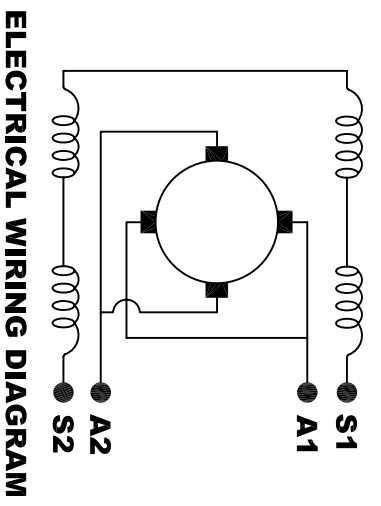


D&D MOTOR SYSTEMS INC.		A1
SYRACUSE N.Y.		S1
Model # ES-5D		
Mfg. Date	Serial #	Rating
XXXX/XX	XXXX	Class H
Voltage	Current	R.P.M.
XX	XXXX	XXXX
MADE IN U.S.A.		H.P.
		XXXX



**TORQUE SPECIFICATION FOR
POWER CABLE SECURING TOP NUTS
5/16-18 UNC - 110 IN / LBS MAX**

**MOTOR WEIGHT 58 LBS
CLASS "H" INSULATION
PERFORMANCE SPEC: 35**



MOTOR WIRING CONNECTIONS:
CW ROTATION DRIVE END
CONNECT S2 & A1 TOGETHER
CONNECT S1 TO BATTERY TERMINAL
CONNECT A2 TO OTHER BATTERY TERMINAL
CCW ROTATION DRIVE END
SWITCH S1 & S2 CONNECTIONS

THIS PRINT IS THE PROPERTY OF D&D MOTOR SYSTEMS INC.
DO NOT SCALE
WORK TO DIMENSIONS
TOLERANCES UNLESS OTHERWISE SPECIFIED ARE AS FOLLOWS

.XX	.01
.XXX	.005
.XX ROUGH CASTING	.03
HOLES	-.001 / +.006
ANGLES	0°30"

D & D MOTOR SYSTEMS INC	
MOTOR OUTLINE	
SIZE	DRAWN DATE
B	3-18-03
SCALE	STF
RELEASE DATE	DWG NO. / PART NO.
	ES-5D
DRAWN BY	REV DATE
MJG	11-19-03
REV	REV
R1	