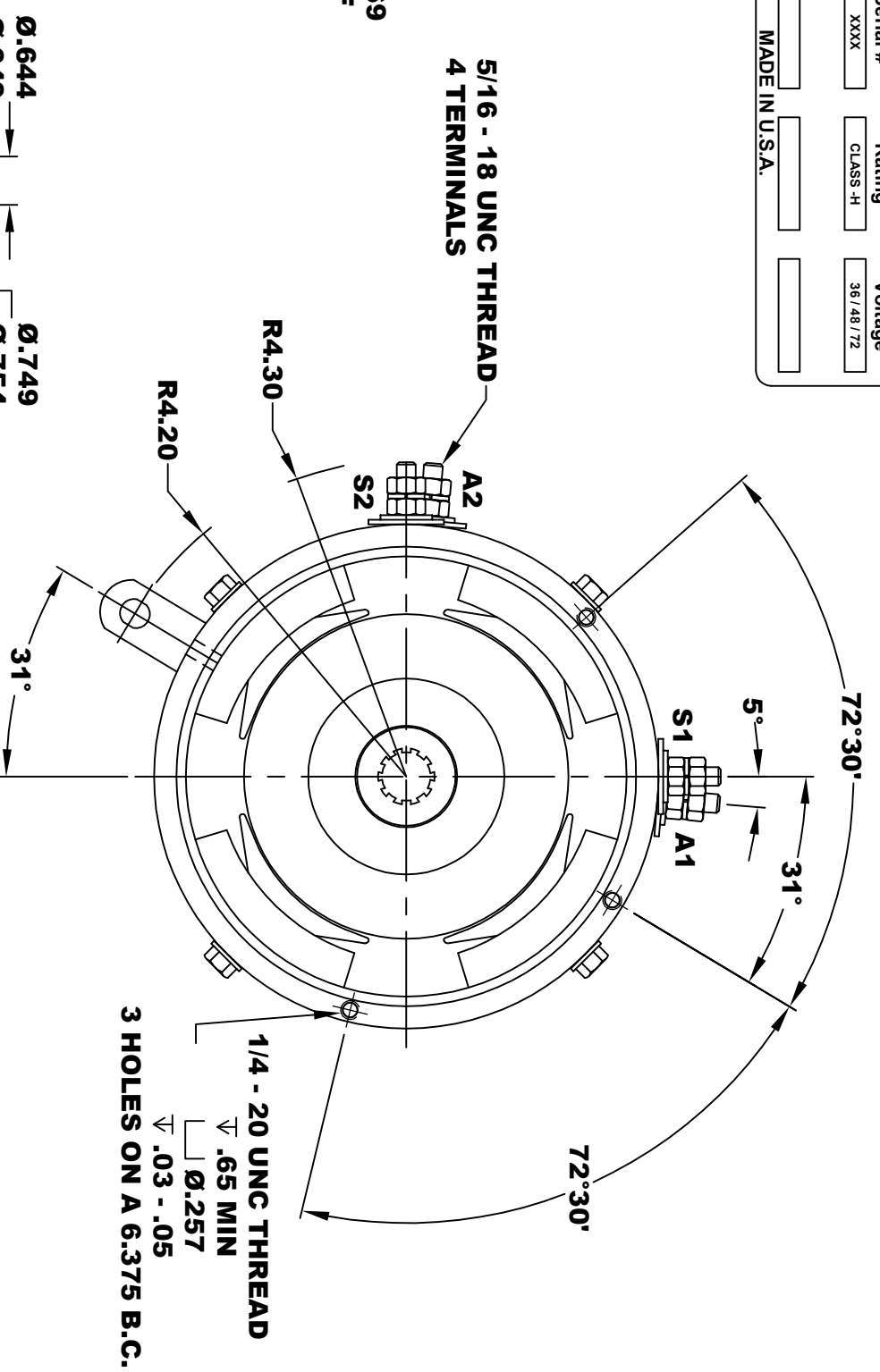
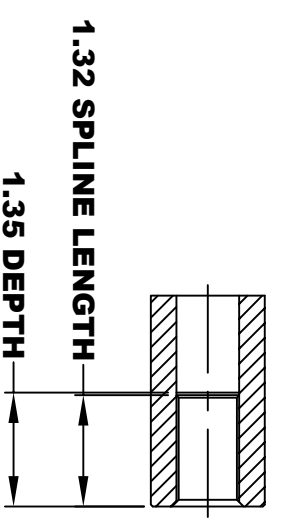
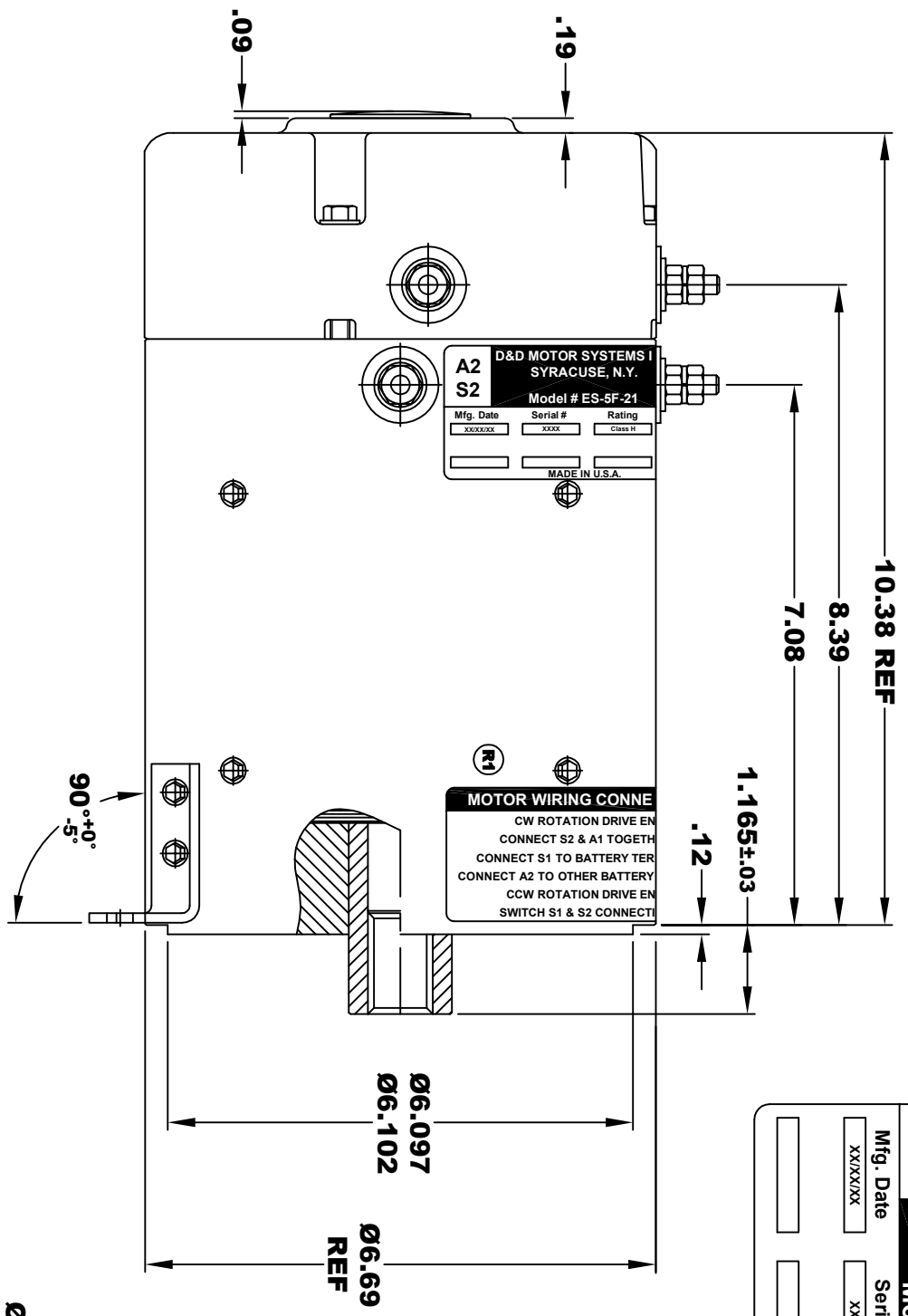
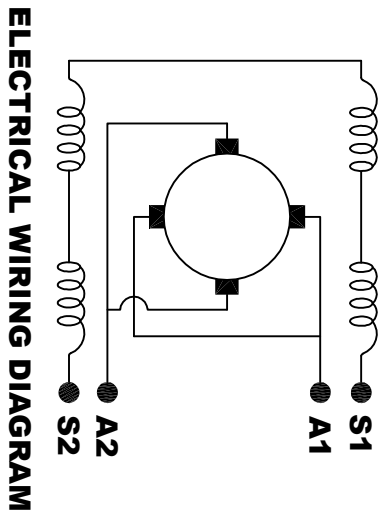


D&D MOTOR SYSTEMS INC.			
A2		A1	
SYRACUSE N.Y.			
Model # ES-5F-21			
Mfg. Date	Serial #	Rating	Voltage
XXXXXX	XXXX	CLASS -H	36 / 48 / 72
MADE IN U.S.A.			

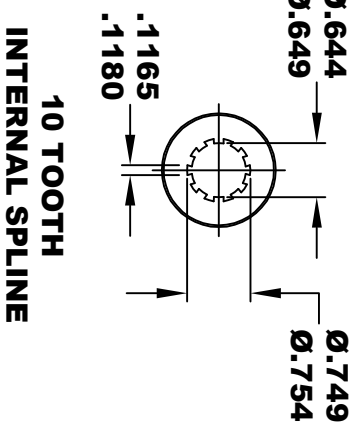


**TORQUE SPECIFICATION FOR
POWER CABLE SECURING TOP NUTS
5/16-18 UNC - 110 IN / LBS MAX**

**MOTOR WEIGHT 58 LBS
CLASS "H" INSULATION
PERFORMANCE SPEC: 21**



**MOTOR WIRING CONNECTIONS:
CW ROTATION DRIVE END
CONNECT S2 & A1 TOGETHER
CONNECT S1 TO BATTERY TERMINAL
CONNECT A2 TO OTHER BATTERY TERMINAL
CCW ROTATION DRIVE END
SWITCH S1 & S2 CONNECTIONS**



**10 TOOTH
INTERNAL SPLINE**

THIS PRINT IS THE PROPERTY OF D&D MOTOR SYSTEMS INC.
DO NOT SCALE
WORK TO DIMENSIONS
TOLERANCES UNLESS OTHERWISE SPECIFIED ARE AS FOLLOWS
XX .01
.XXX .005
.XX ROUGH CASTING .03
HOLES .001 / +.006
ANGLES 0.30"

**D & D MOTOR SYSTEMS INC
MOTOR OUTLINE**

SIZE	DRAWN DATE	RELEASE DATE	DWG NO. / PART NO.	REV
B	2-23-12		ES-5F-21	R1
SCALE	STF	DRAWN BY	MJG	REV DATE
				5-31-18