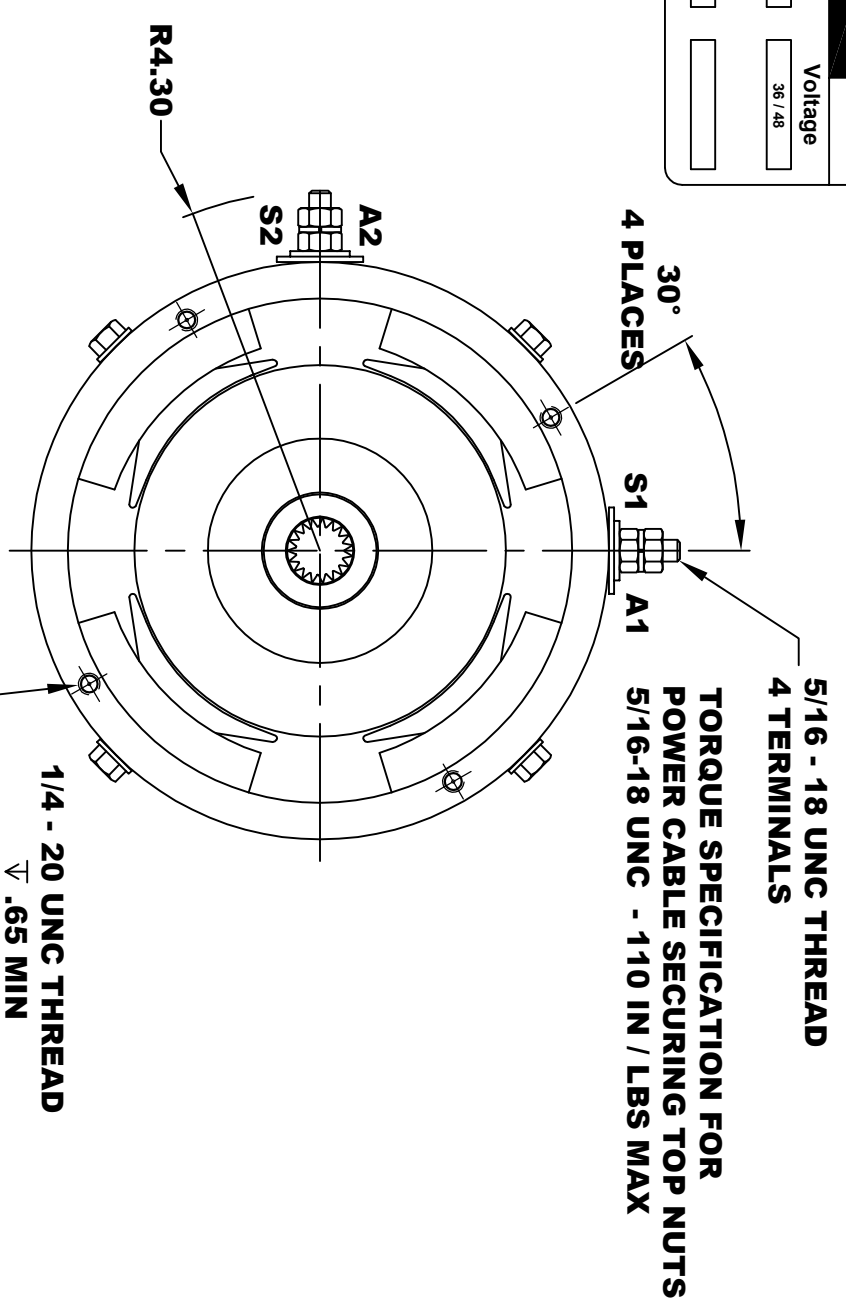
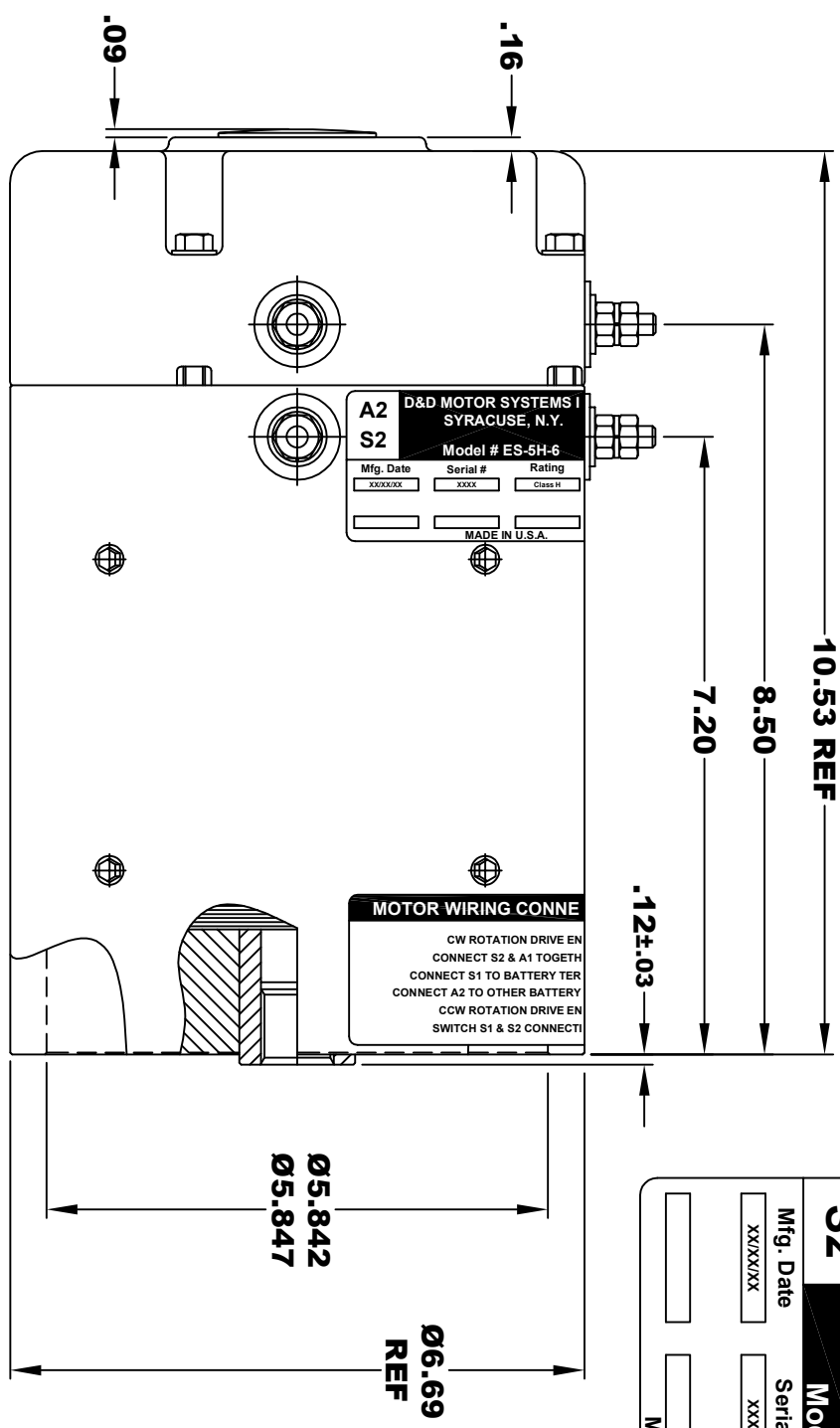
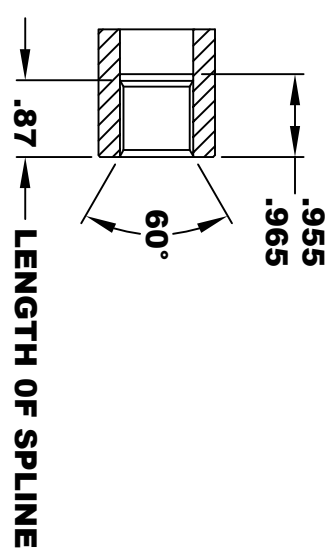


D&D MOTOR SYSTEMS INC.			
SYRACUSE N.Y.			
A2	Model # ES-5H-6		A1
S2			S1
Mfg. Date	Serial #	Rating	Voltage
XXXXXX	XXXX	Class H	36 / 48
MADE IN U.S.A.			

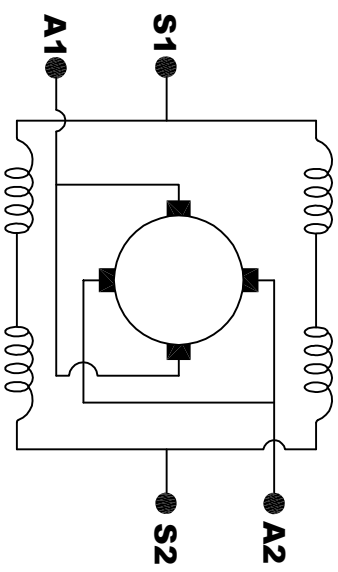


**INTERNAL INVOLUTE SPLINE SPECIFICATION
CLASS 5 FILLET ROOT SIDE FIT (PER A.N.S.I. B92.1)**

NO. OF TEETH	19
SPLINE PITCH	24 / 48
PRESSURE ANGLE	45°
BASE Ø	.5597 REF
PITCH Ø	.7916 REF
MAJOR Ø	.850 - .859
FORM Ø	.835
MINOR Ø	.767 - .772
CIRCULAR SPACE WIDTH	.0764
EFFECTIVE SPACE WIDTH	.0738
MAX. DIMENSION BETWEEN TWO PINS	.6714
PIN Ø	.0800
SPLINE HARDNESS TO BE R/C 26-34	



**MOTOR WEIGHT 57 LBS
CLASS "H" INSULATION
PERFORMANCE SPEC: 6**



ELECTRICAL WIRING DIAGRAM

**MOTOR WIRING CONNECTIONS:
CW ROTATION DRIVE END
CONNECT S2 & A1 TOGETHER
CONNECT S1 TO BATTERY TERMINAL
CONNECT A2 TO OTHER BATTERY TERMINAL
CCW ROTATION DRIVE END
SWITCH S1 & S2 CONNECTIONS**

D & D MOTOR SYSTEMS INC

MOTOR OUTLINE

THIS PRINT IS THE PROPERTY OF D&D MOTOR SYSTEMS INC.
DO NOT SCALE
WORK TO DIMENSIONS
TOLERANCES UNLESS OTHERWISE SPECIFIED ARE AS FOLLOWS
XX .01
XXX .005
.XX ROUGH CASTING .03
HOLES .001 / +.006
ANGLES 0.30"

SIZE	DRAWN DATE	RELEASE DATE	DWG NO. / PART NO.	REV
B	11-14-08		ES-5H-6	R1
SCALE	STF	DRAWN BY	MJG	REV DATE
				9-2-20