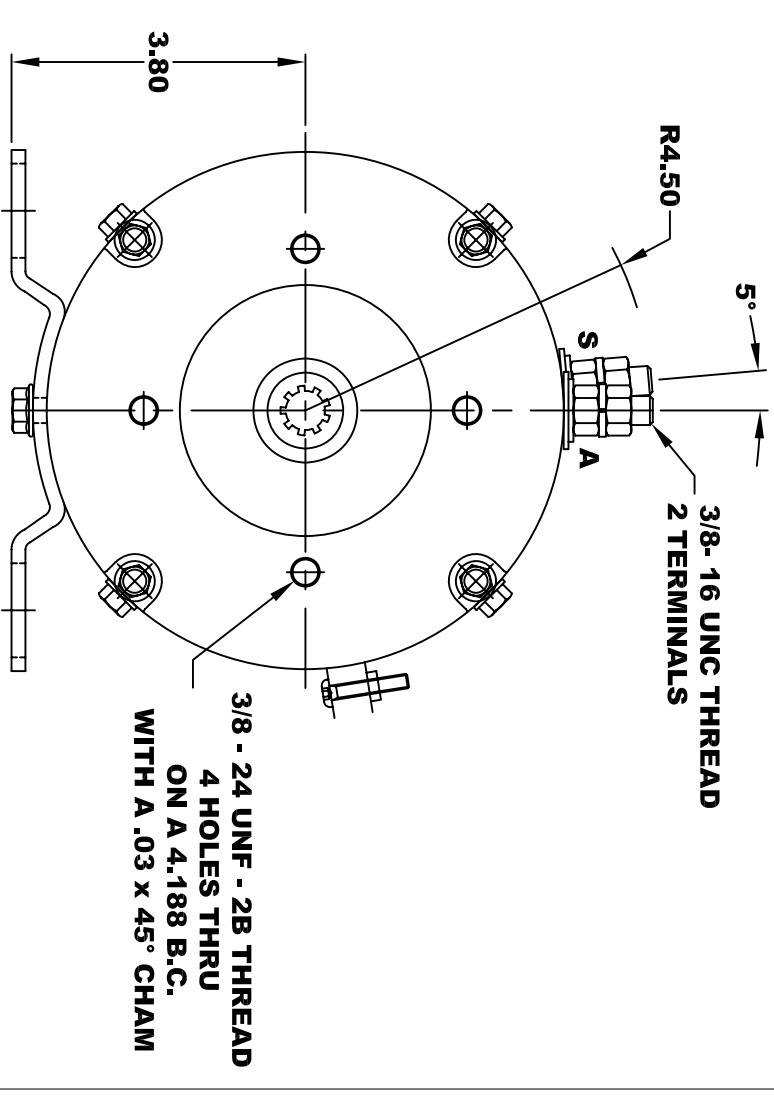
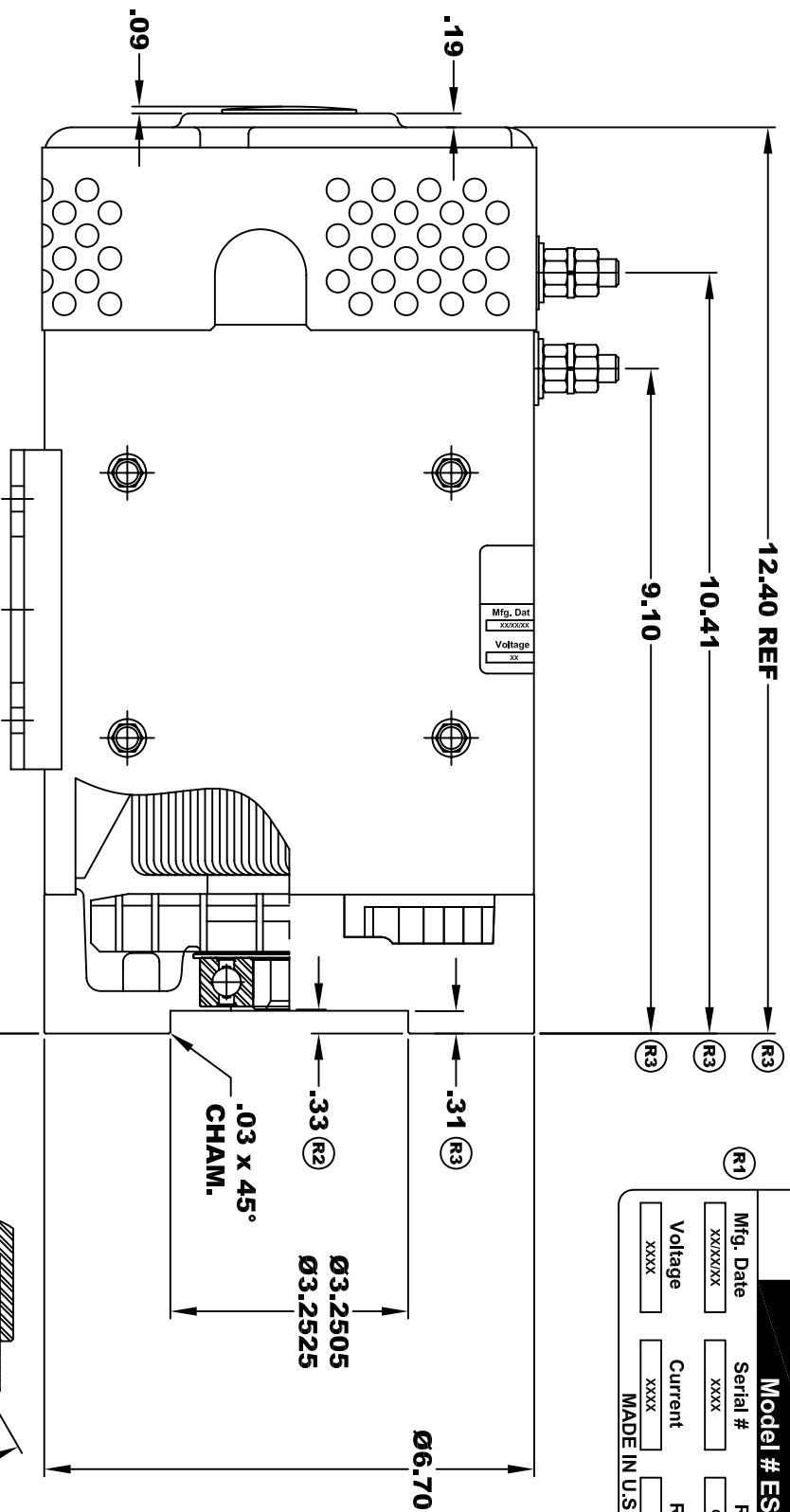


**D&D MOTOR SYSTEMS INC.**  
SYRACUSE N.Y.

Model # ES-60

Mfg. Date	Serial #	Rating	Duty
XXXXXX	XXXX	Class H	S2-60 MIN
Voltage	Current	R.P.M.	H.P.
XXXX	XXXX	XXXX	XXXX
MADE IN U.S.A.			

**TORQUE SPECIFICATION FOR  
POWER CABLE SECURING TOP NUTS**  
3/8 - 16 UNC - 140 IN / LBS MAX



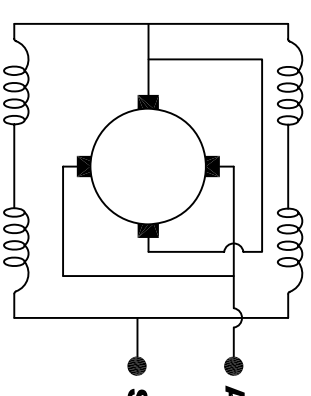
**SPLINE HARDNESS** — R/C 46 - 52

**INTERNAL INVOLUTE SPLINE SPECIFICATION**  
FLAT ROOT SIDE FIT (PER A.N.S.I. B92.1 CLASS 5)

NO. OF TEETH — 9  
SPLINE PITCH — 16 / 32  
PRESSURE ANGLE — 30°  
BASE Ø — .4871 REF  
PITCH Ø — .5625 REF  
MAJOR Ø — .651  
FORM Ø — .629  
MINOR Ø — .509 - .514

⊙	.010	A
⊥	.010	B

**CIRCULAR SPACE WIDTH**  
MAX ACTUAL — .1008  
MIN EFFECTIVE — .0982  
MAX DIMENSION BETWEEN TWO PINS — .3972  
PIN Ø — .1080



**ELECTRICAL WIRING DIAGRAM**

**MOTOR WIRING CONNECTIONS:**  
CW ROTATION DRIVE END  
CONNECT ONE POWER CABLE TO TERMINAL A  
CONNECT THE OTHER POWER CABLE TO TERMINAL S

**MOTOR WEIGHT: 65 LBS**  
CLASS "H" INSULATION  
PERFORMANCE SPEC: 26

**D & D MOTOR SYSTEMS INC**

**MOTOR OUTLINE**

THIS PRINT IS THE PROPERTY OF D&D MOTOR SYSTEMS INC.  
DO NOT SCALE  
WORK TO DIMENSIONS  
TOLERANCES UNLESS OTHERWISE SPECIFIED ARE AS FOLLOWS  
XX — .01  
XXX — .005  
.XX ROUGH CASTING — .03  
HOLES — .001 / +.006  
ANGLES — 0°30"

SIZE	DRAWN DATE	RELEASE DATE	DWG NO. / PART NO.	REV
B	2-18-03		ES-60	R3
SCALE	STF	DRAWN BY	MJG	REV DATE
				12-15-15