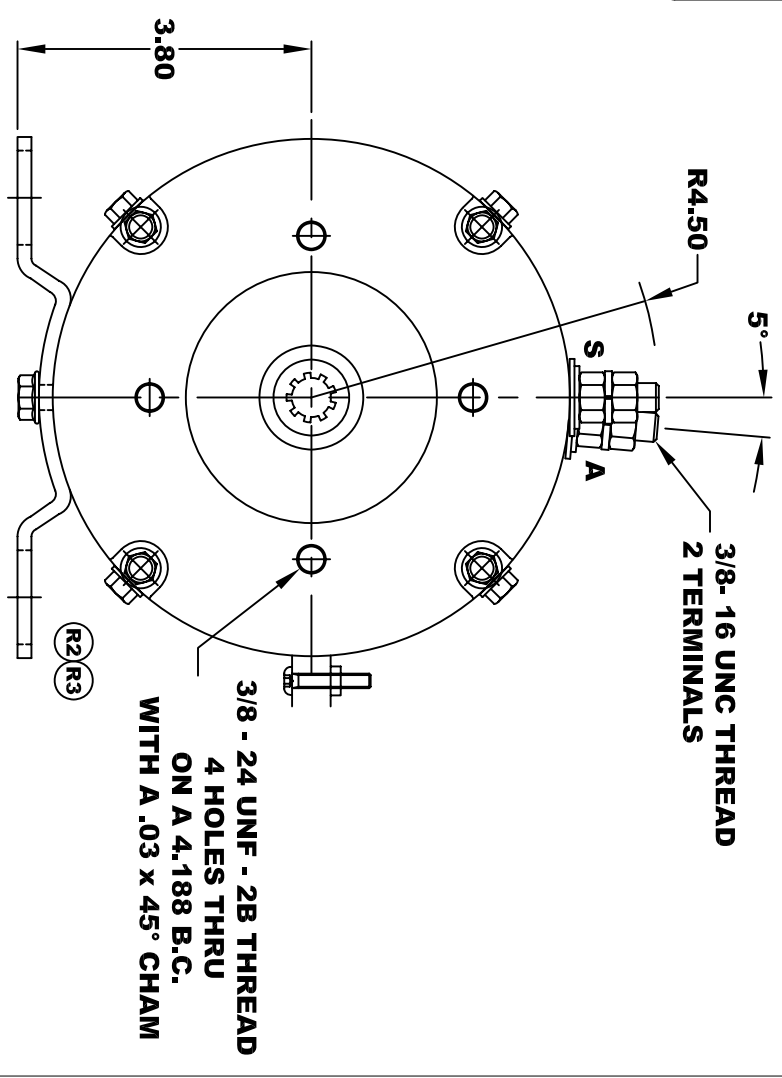
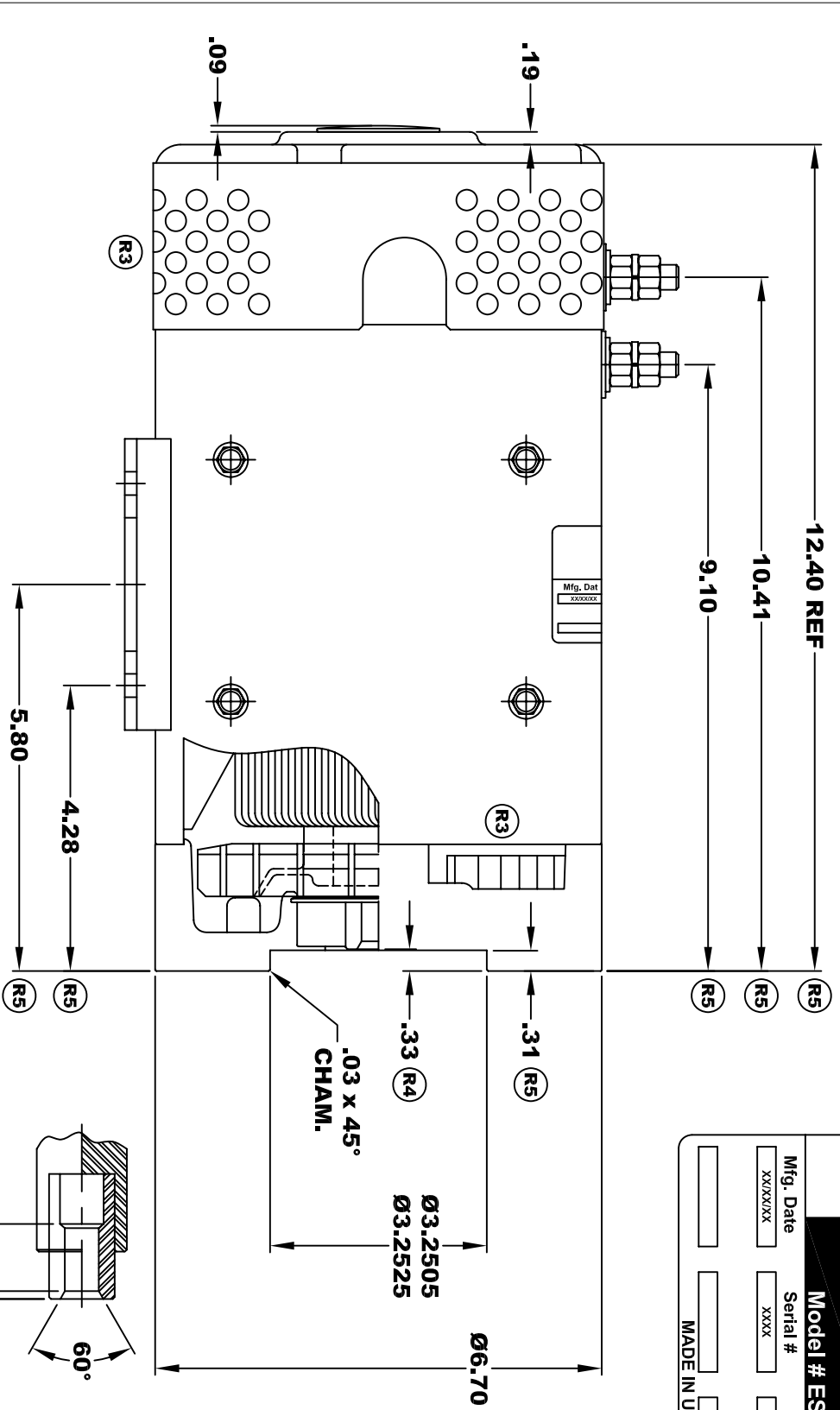


D&D MOTOR SYSTEMS INC.
SYRACUSE N.Y.

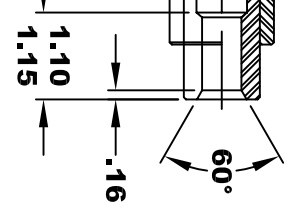
Model # ES-60-21

Mfg. Date	Serial #	Rating	Voltage
XXXXXX	XXXX	CLASS H	36/48
MADE IN U.S.A.			

**TORQUE SPECIFICATION FOR
 POWER CABLE SECURING TOP NUTS**
 3/8 - 16 UNC - 140 IN / LBS MAX



SPLINE HARDNESS
 R/C 46 - 52



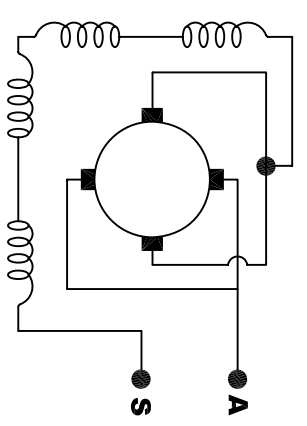
INTERNAL INVOLUTE SPLINE SPECIFICATION
 FLAT ROOT SIDE FIT (PER A.N.S.I. B92.1 CLASS 5)

NO. OF TEETH 9
SPLINE PITCH 16 / 32
PRESSURE ANGLE 30°
BASE Ø .4871 REF
PITCH Ø .5625 REF
MAJOR Ø .651
FORM Ø .629
MINOR Ø .509 - .514

⊙	.010	A
⊥	.010	B

CIRCULAR SPACE WIDTH
MAX ACTUAL .1008
MIN EFFECTIVE .0982
MAX DIMENSION BETWEEN TWO PINS .3972
PIN Ø .1080

ELECTRICAL WIRING DIAGRAM



(R2) MOTOR WEIGHT: 65 LBS
CLASS "H" INSULATION
PERFORMANCE SPEC: 21

MOTOR WIRING CONNECTIONS:
(R1) CW ROTATION DRIVE END
CONNECT ONE POWER CABLE TO TERMINAL A
CONNECT THE OTHER POWER CABLE TO TERMINAL S

D & D MOTOR SYSTEMS INC

MOTOR OUTLINE

THIS PRINT IS THE PROPERTY OF D&D MOTOR SYSTEMS INC.
 DO NOT SCALE
 WORK TO DIMENSIONS
 TOLERANCES UNLESS OTHERWISE SPECIFIED ARE AS FOLLOWS
 .XX .01
 .XXX .005
 .XX ROUGH CASTING .03
 HOLES .001 / +.006
 ANGLES 0°30"

SIZE	DRAWN DATE	RELEASE DATE	DWG NO. / PART NO.	REV
B	4-29-08		ES-60-21	R5
SCALE	STF	DRAWN BY	MJG	REV DATE
				2-17-16