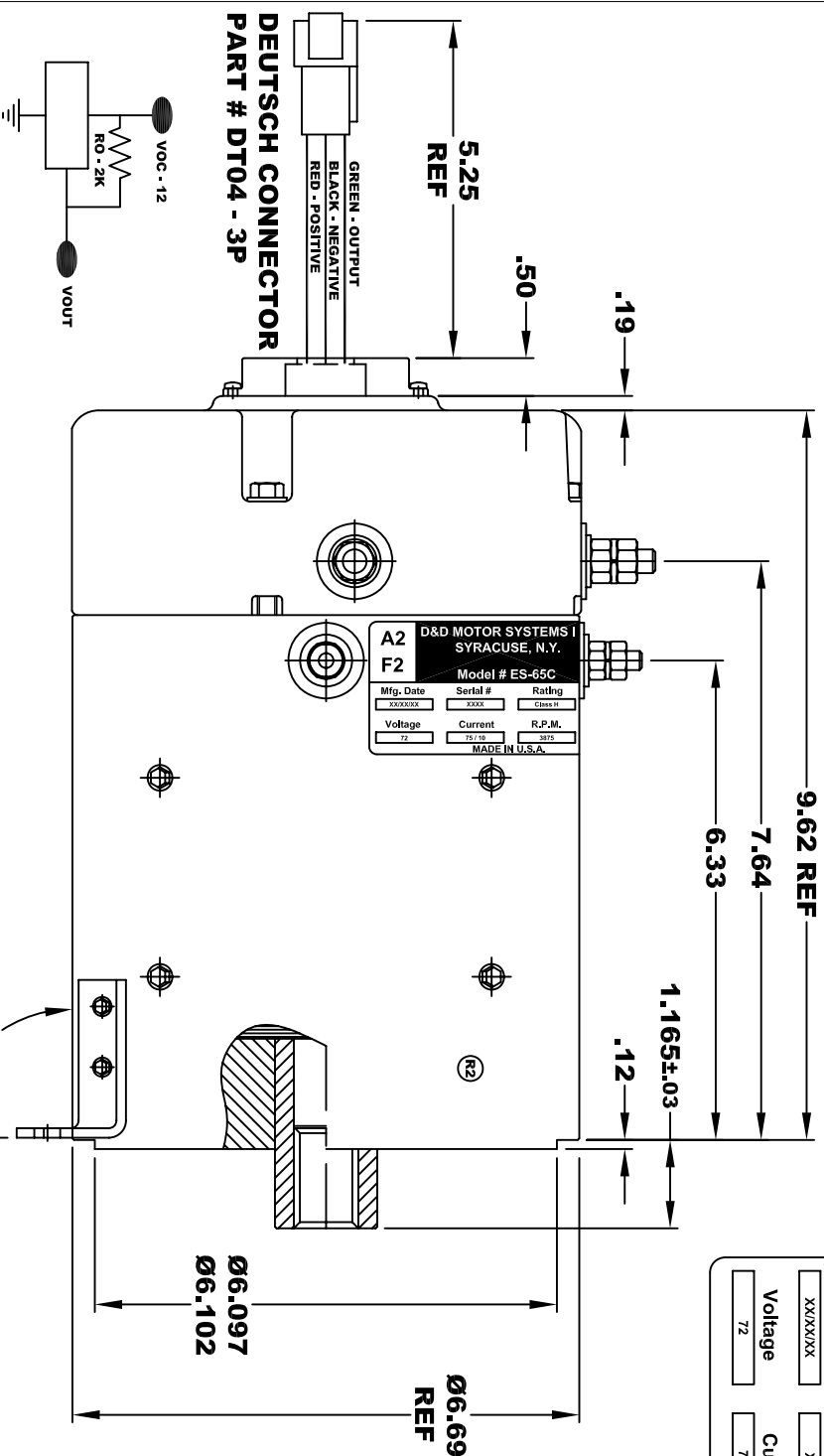
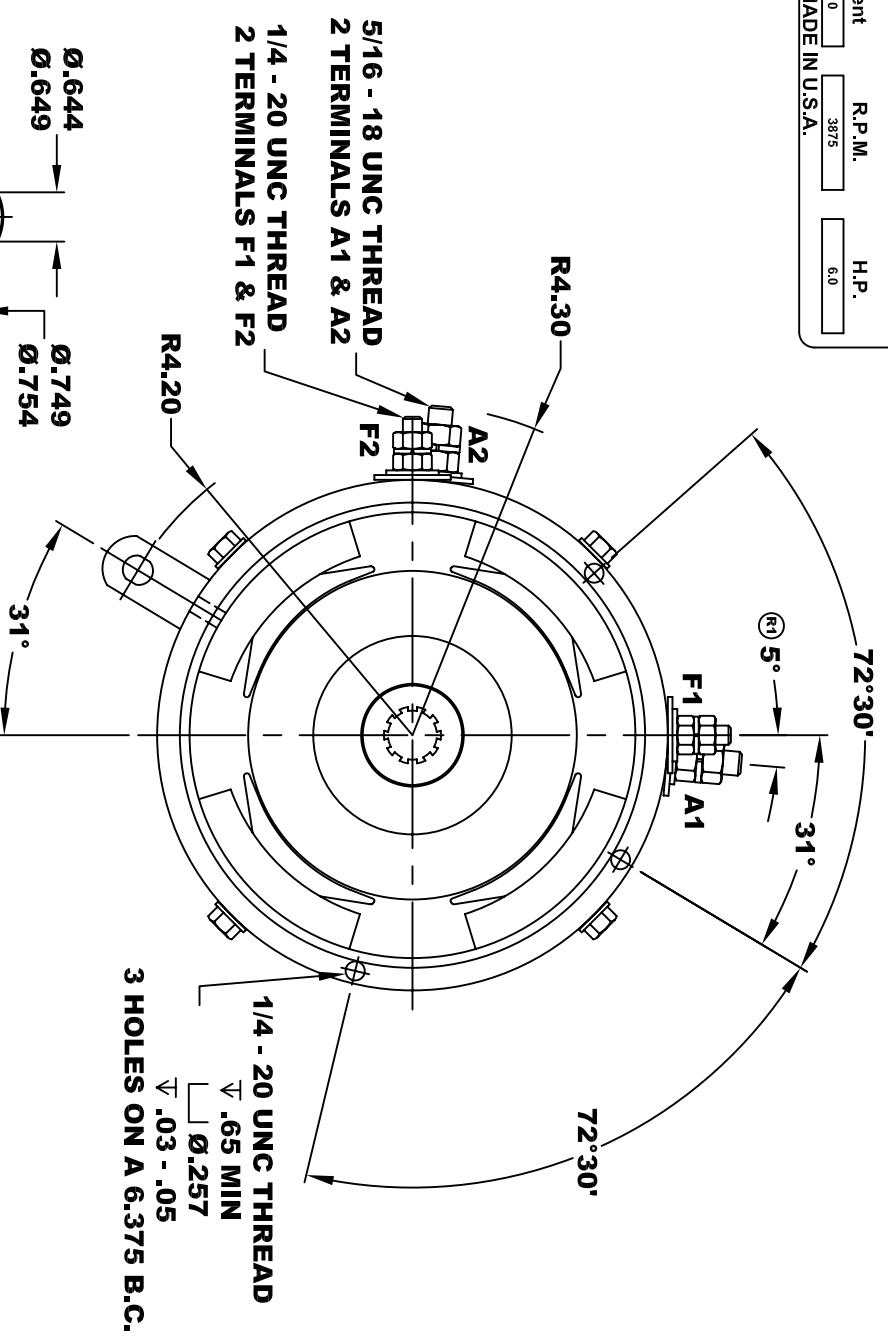
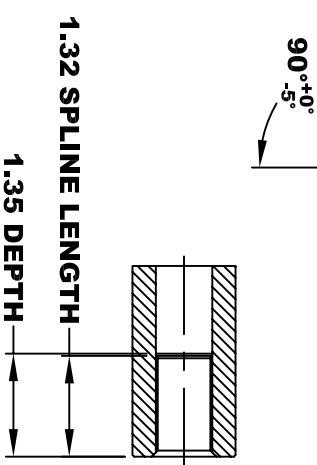


<b>D&amp;D MOTOR SYSTEMS INC.</b>				<b>A1</b>
<b>SYRACUSE N.Y.</b>				<b>F1</b>
<b>Model # ES-65C</b>				
Mfg. Date	Serial #	Rating	Duty	
XXXXXX	XXXX	CLASS H	S2 -30 MIN	
Voltage	Current	R.P.M.	H.P.	
72	75/10	3875	6.0	
MADE IN U.S.A.				

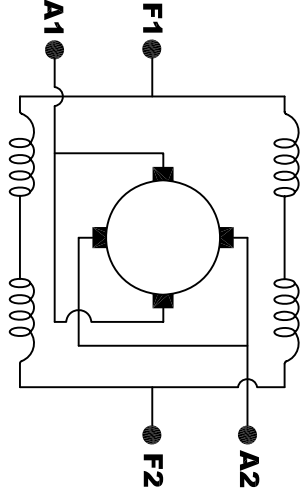
**TORQUE SPECIFICATION FOR  
POWER CABLE SECURING TOP NUTS**  
5/16-18 UNC (A1 / A2) - 110 IN / LBS MAX  
1/4-20 UNC (F1 / F2) - 50 IN / LBS MAX



**ELECTRICAL SPECIFICATION:**  
-4.5V TO 24V OPERATING VOLTAGE  
-20°C TO 85°C OPERATING TEMPERATURE  
-CURRENT SINKING UP TO 25mA  
-AN EXTERNAL OUTPUT PULL UP RESISTOR IS REQUIRED  
-SENSOR IS DESIGNED TO OPERATE WITH 4 N/S POLEPAIRS  
-THE OPERATIONAL DISTANCE BETWEEN THE MAGNET  
AND THE HOUSING, INCLUDING ANY RUNOUT  
SHOULD NOT EXCEED .030 INCHES



**MOTOR WEIGHT 53 LBS**  
**CLASS "H" INSULATION**  
**PERFORMANCE SPEC: 10**



**ELECTRICAL WIRING DIAGRAM**

**MOTOR WIRING CONNECTIONS:**  
**CW ROTATION DRIVE END**  
CONNECT A1 & F1 TO ONE BATTERY TERMINAL  
**CCW ROTATION DRIVE END**  
CONNECT A2 & F2 TO OTHER BATTERY TERMINAL  
SWITCH F1 & F2 CONNECTIONS

THIS PRINT IS THE PROPERTY OF D&D MOTOR SYSTEMS INC.  
DO NOT SCALE  
WORK TO DIMENSIONS  
TOLERANCES UNLESS OTHERWISE SPECIFIED ARE AS FOLLOWS  
.XX \_\_\_\_\_ .01  
.XXX \_\_\_\_\_ .005  
.XX ROUGH CASTING \_\_\_\_\_ .03  
HOLES \_\_\_\_\_ -.001 / +.006  
ANGLES \_\_\_\_\_ 0°30'

<b>D &amp; D MOTOR SYSTEMS INC</b>			
<b>MOTOR OUTLINE</b>			
SIZE	DRAWN DATE	RELEASE DATE	DWG NO. / PART NO.
B	9-11-03		ES-65C
SCALE	STF	DRAWN BY	MJG
			REV DATE
			R2 5-13-13