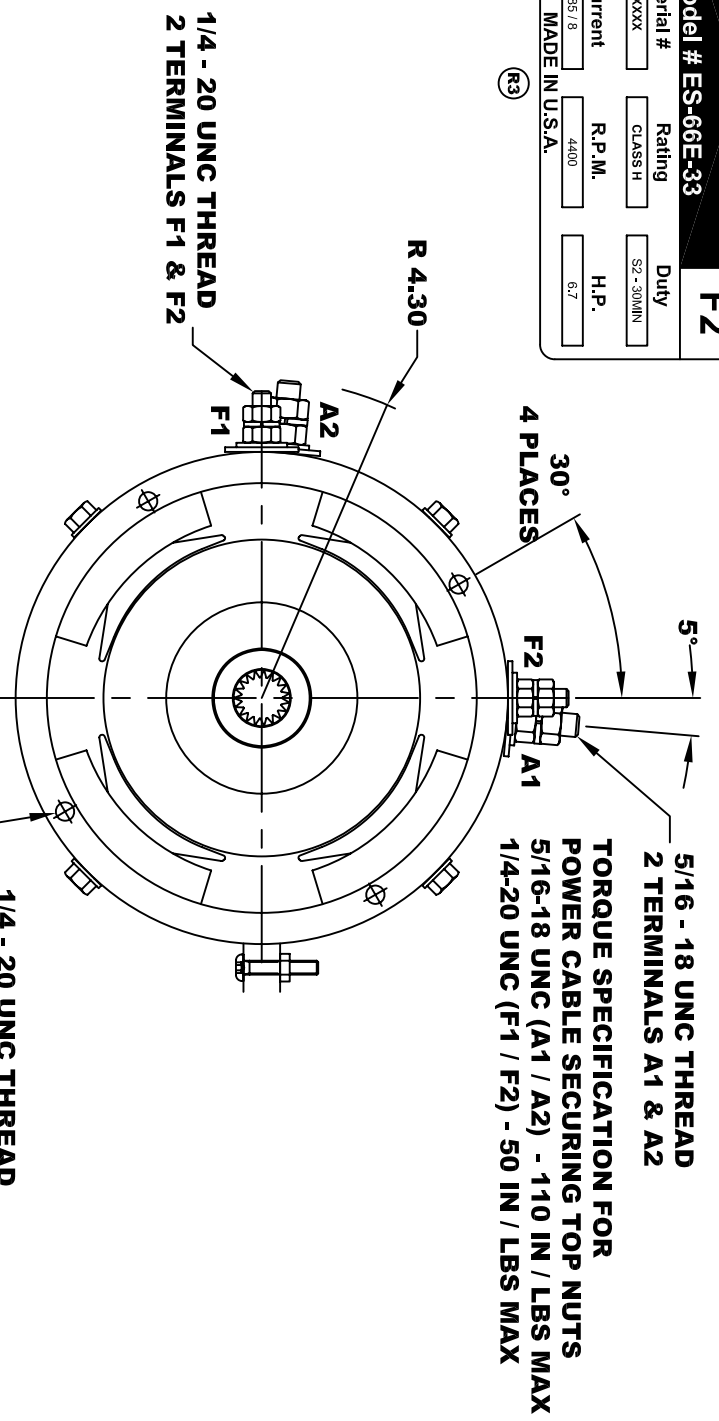
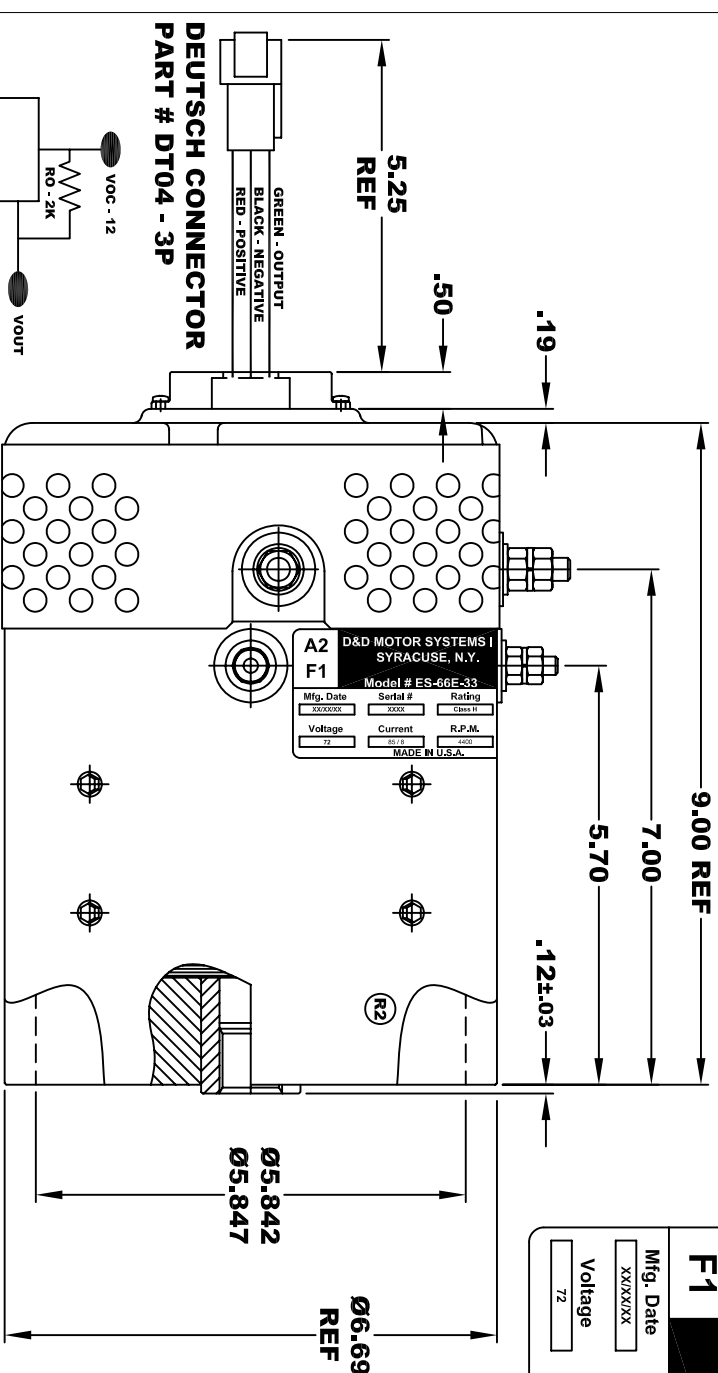


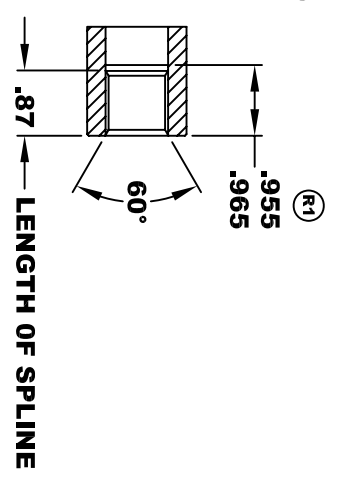
<b>D&amp;D MOTOR SYSTEMS INC.</b>		<b>SYRACUSE N.Y.</b>		<b>A2</b>	<b>A1</b>
<b>F1</b>		<b>F2</b>		<b>Model # ES-66E-33</b>	
Mfg. Date	Serial #	Rating	Duty		
XXXX/XX	XXXX	CLASS H	S2 - 30MIN		
Voltage	Current	R.P.M.	H.P.		
72	85 / 8	4400	6.7		
MADE IN U.S.A.					



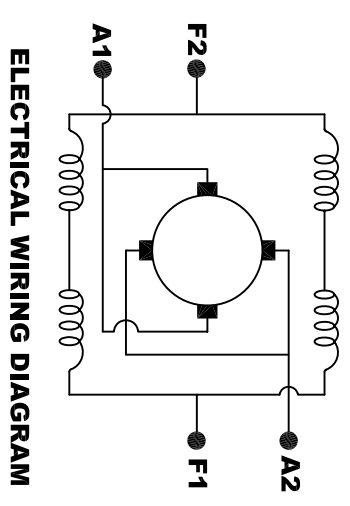
**ELECTRICAL SPECIFICATION:**  
-4.5V TO 24V OPERATING VOLTAGE  
-20°C TO 85°C OPERATING TEMPERATURE  
-CURRENT SINKING UP TO 25mA  
-AN EXTERNAL OUTPUT PULL UP RESISTOR IS REQUIRED  
-SENSOR IS DESIGNED TO OPERATE WITH 4 N/S POLEPAIRS  
-AND THE HOUSING, INCLUDING ANY RUNOUT  
SHOULD NOT EXCEED .030 INCHES

**INTERNAL INVOLUTE SPLINE SPECIFICATION  
CLASS 5 FILLET ROOT SIDE FIT (PER A.N.S.I. B92.1)**

- NO. OF TEETH \_\_\_\_\_ 19
- SPLINE PITCH \_\_\_\_\_ 24 / 48
- PRESSURE ANGLE \_\_\_\_\_ 45°
- BASE Ø \_\_\_\_\_ .5597 REF
- PITCH Ø \_\_\_\_\_ .7916 REF
- MAJOR Ø \_\_\_\_\_ .850 - .859
- FORM Ø \_\_\_\_\_ .835
- MINOR Ø \_\_\_\_\_ .767 - .772
- CIRCULAR SPACE WIDTH \_\_\_\_\_ .0764
- EFFECTIVE SPACE WIDTH \_\_\_\_\_ .0738
- MAX. DIMENSION BETWEEN TWO PINS \_\_\_\_\_ .6714
- PIN Ø \_\_\_\_\_ .0800
- SPLINE HARDNESS TO BE R/C 26-34



**MOTOR WEIGHT 46 LBS  
CLASS "H" INSULATION  
PERFORMANCE SPEC: 33**



**MOTOR WIRING CONNECTIONS:**  
CW ROTATION DRIVE END  
CONNECT A1 & F2 TO ONE BATTERY TERMINAL  
CONNECT A2 & F1 TO OTHER BATTERY TERMINAL  
CCW ROTATION DRIVE END  
SWITCH F1 & F2 CONNECTIONS

THIS PRINT IS THE PROPERTY OF D&D MOTOR SYSTEMS INC.  
DO NOT SCALE  
WORK TO DIMENSIONS  
TOLERANCES UNLESS OTHERWISE SPECIFIED ARE AS FOLLOWS  
.XX \_\_\_\_\_ .01  
.XXX \_\_\_\_\_ .005  
.XX ROUGH CASTING \_\_\_\_\_ .03  
HOLES \_\_\_\_\_ -.001 / +.006  
ANGLES \_\_\_\_\_ 0°30"

<b>D &amp; D MOTOR SYSTEMS INC</b>			
<b>MOTOR OUTLINE</b>			
SIZE	DRAWN DATE	RELEASE DATE	DWG NO. / PART NO.
B	8-8-07		ES-66E-33
SCALE	STF	DRAWN BY	MJG
		REV DATE	4-3-14
		REV	R3