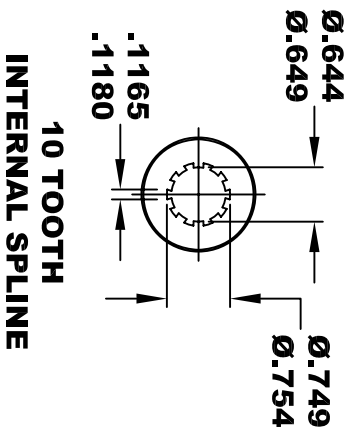
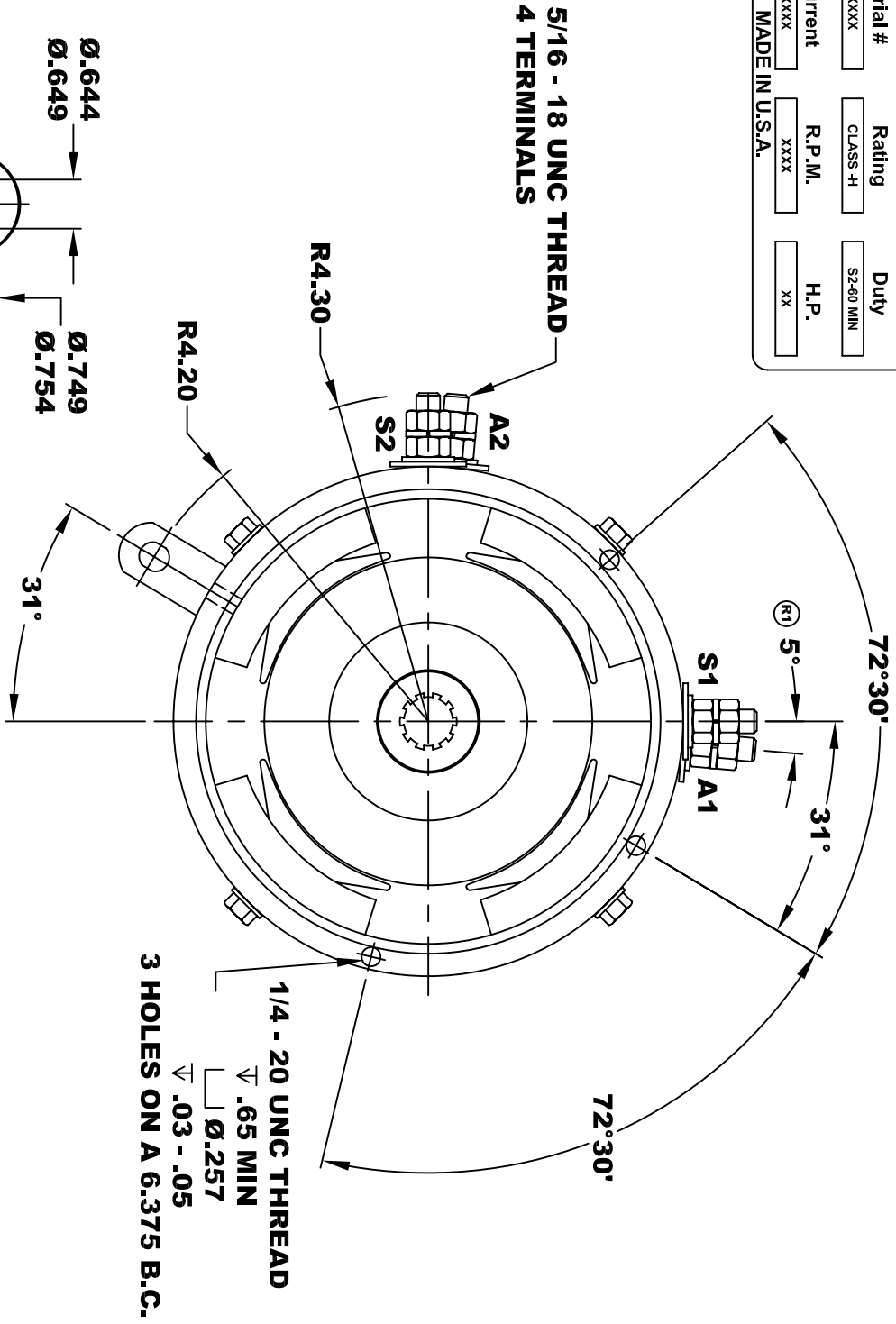
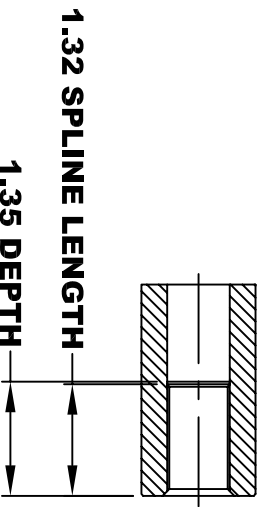
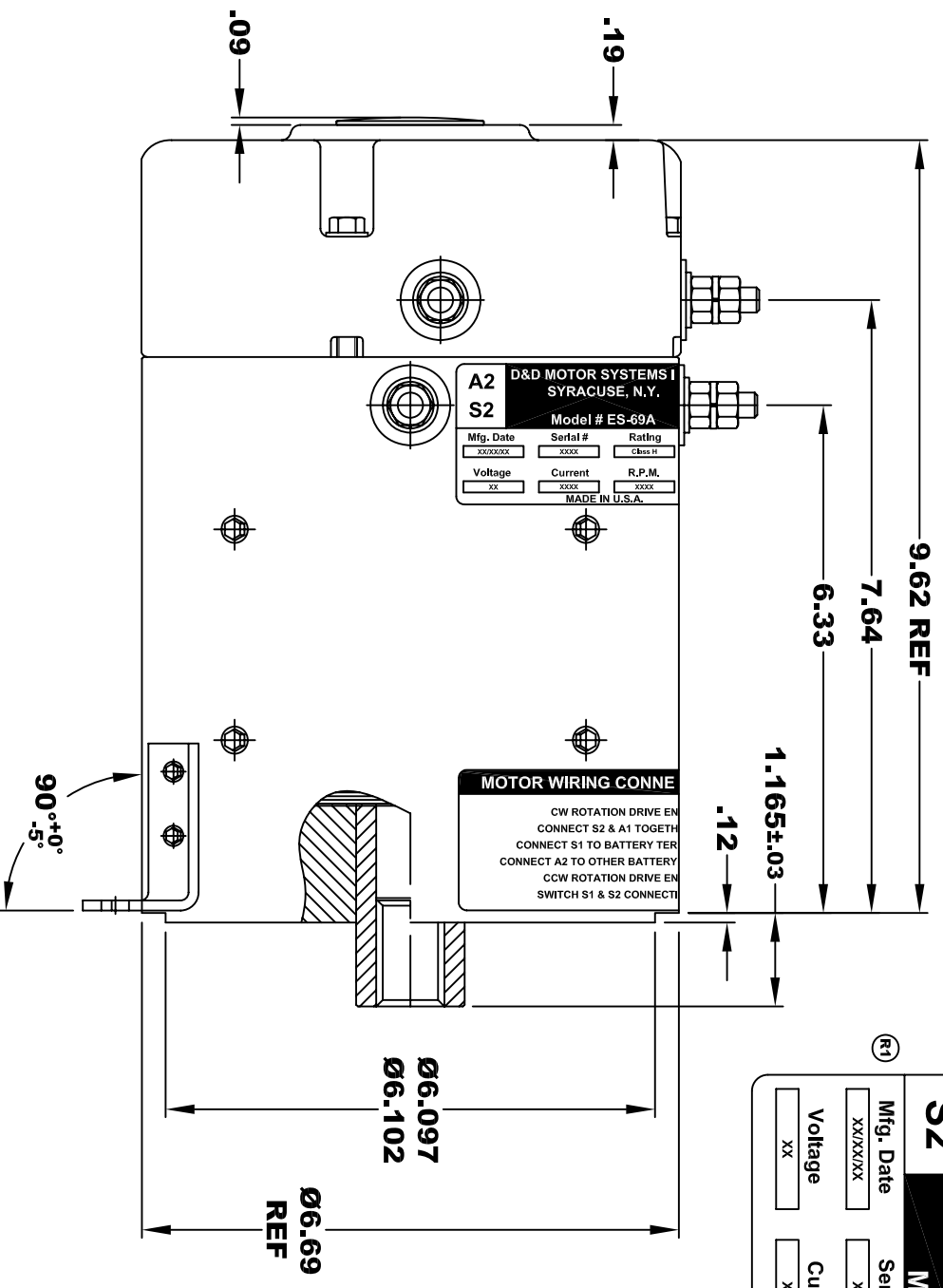
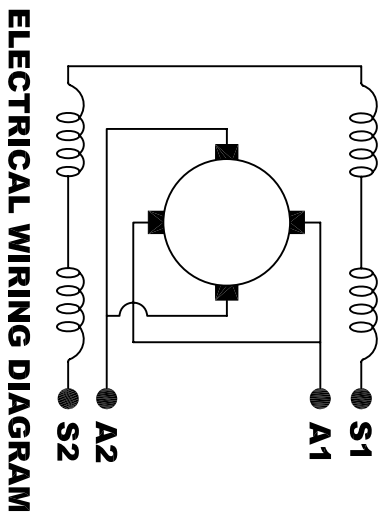


A2		D&D MOTOR SYSTEMS INC.		A1	
S2		SYRACUSE N.Y.		S1	
Model # ES-69A					
Mfg. Date	Serial #	Rating	Duty		
XX/XX/XX	XXXX	CLASS - H	S2-60 MIN		
Voltage	Current	R.P.M.	H.P.		
XX	XXXX	XXXX	XX		
MADE IN U.S.A.					



MOTOR WEIGHT XX LBS
CLASS "H" INSULATION
PERFORMANCE SPEC: 39

TORQUE SPECIFICATION FOR POWER CABLE SECURING TOP NUTS
5/16-18 UNC - 110 IN / LBS MAX



MOTOR WIRING CONNECTIONS:
CW ROTATION DRIVE END
CONNECT S2 & A1 TOGETHER
CONNECT S1 TO BATTERY TERMINAL
CCW ROTATION DRIVE END
CONNECT A2 TO OTHER BATTERY TERMINAL
CONNECT S1 & S2 CONNECTIONS

THIS PRINT IS THE PROPERTY OF D&D MOTOR SYSTEMS INC.
 DO NOT SCALE
 WORK TO DIMENSIONS
 TOLERANCES UNLESS OTHERWISE SPECIFIED ARE AS FOLLOWS
 .XX _____ .01
 .XXX _____ .005
 .XX ROUGH CASTING _____ .03
 HOLES _____ -.001 / +.006
 ANGLES _____ 0°30"

D & D MOTOR SYSTEMS INC	
MOTOR OUTLINE	
SIZE	DRAWN DATE
B	3-30-03
SCALE	STF
RELEASE DATE	DWG NO. / PART NO.
	ES-69A
REV	REV DATE
R1	11-21-03