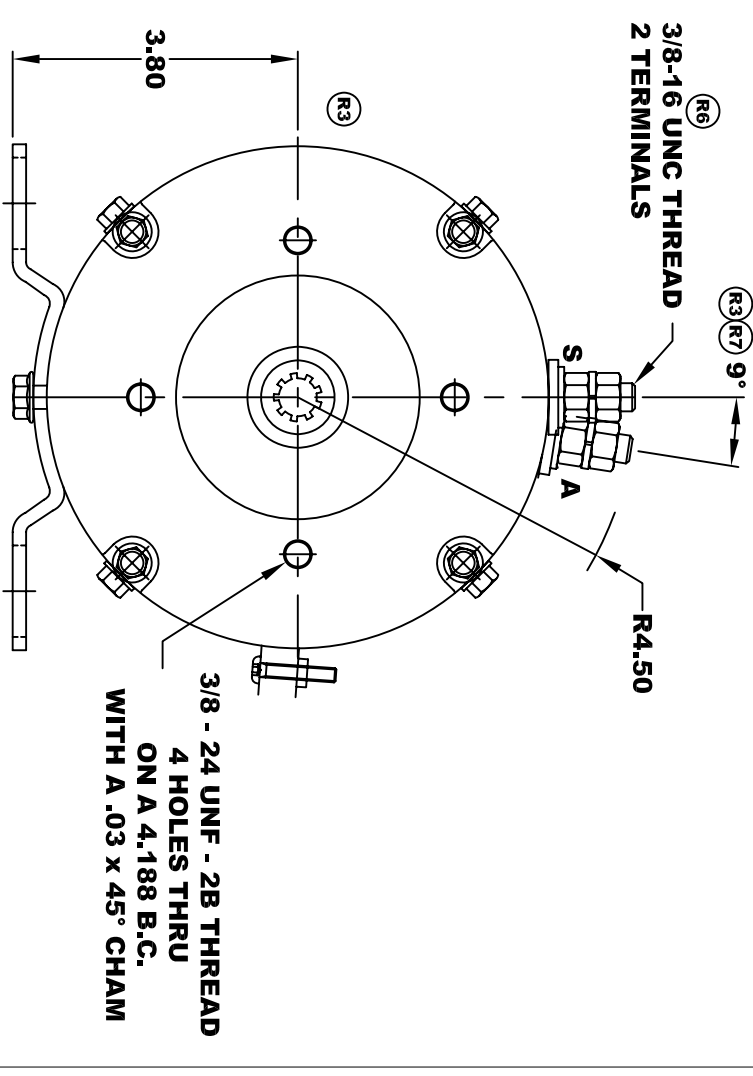
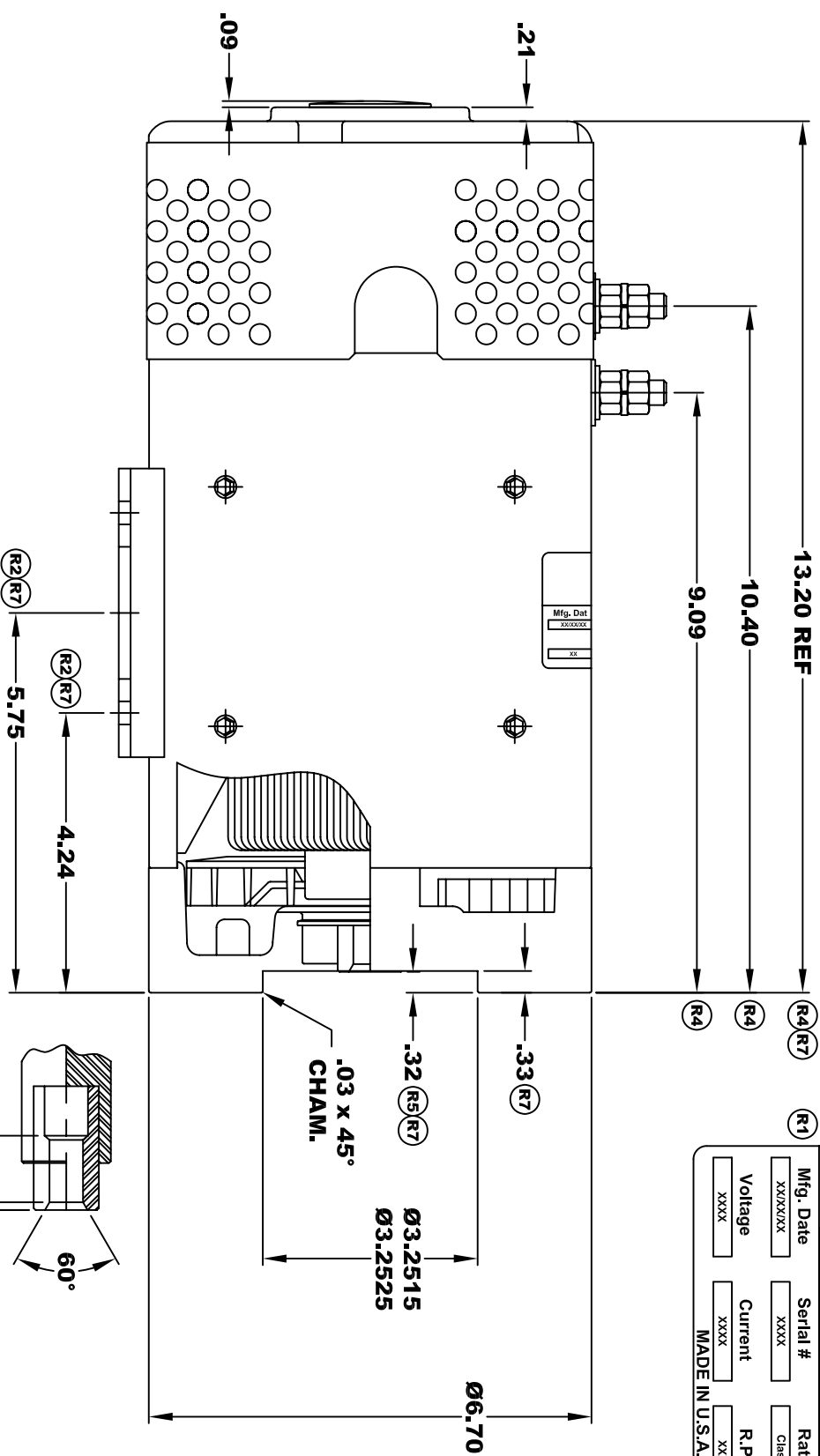


D&D MOTOR SYSTEMS INC.
SYRACUSE N.Y.

Model # ES-73

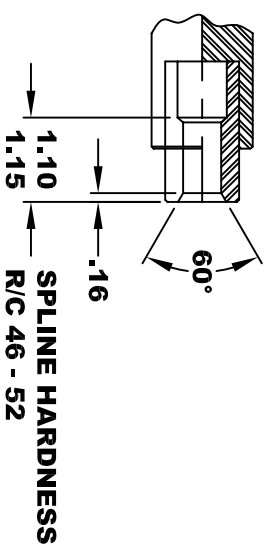
Mfg. Date	Serial #	Rating	Duty
XXXXXX	XXXX	Class H	S2-60 MIN
Voltage	Current	R.P.M.	H.P.
XXXX	XXXX	XXXX	XXXX
MADE IN U.S.A.			

**TORQUE SPECIFICATION FOR
 POWER CABLE SECURING TOP NUTS**
3/8 - 16 UNC - 140 IN / LBS MAX

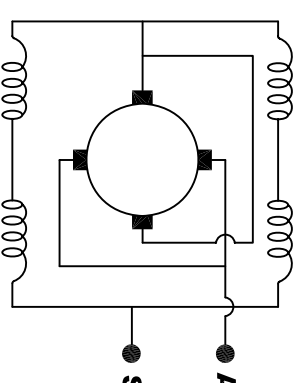


INTERNAL INVOLUTE SPLINE SPECIFICATION
FLAT ROOT SIDE FIT (PER A.N.S.I. B92.1 CLASS 5)

NO. OF TEETH	9
SPLINE PITCH	16 / 32
PRESSURE ANGLE	30°
BASE Ø	.4871 REF
PITCH Ø	.5625 REF
MAJOR Ø	.651
FORM Ø	.629
MINOR Ø	.509 - .514



CIRCULAR SPACE WIDTH	
MAX ACTUAL	.1008
MIN EFFECTIVE	.0982
MAX DIMENSION BETWEEN TWO PINS	.3972
PIN Ø	.1080



ELECTRICAL WIRING DIAGRAM

MOTOR WEIGHT: XX LBS
CLASS "H" INSULATION
PERFORMANCE SPEC: 9

MOTOR WIRING CONNECTIONS:
CCW ROTATION DRIVE END
CONNECT ONE POWER CABLE TO TERMINAL A
CONNECT THE OTHER POWER CABLE TO TERMINAL S

D & D MOTOR SYSTEMS INC

MOTOR OUTLINE

THIS PRINT IS THE PROPERTY OF D&D MOTOR SYSTEMS INC.
 DO NOT SCALE
 WORK TO DIMENSIONS
 TOLERANCES UNLESS OTHERWISE SPECIFIED ARE AS FOLLOWS
 .XX _____ .01
 .XXX _____ .005
 .XX ROUGH CASTING _____ .03
 HOLES _____ -.001 / +.006
 ANGLES _____ 0°30"

SIZE	DRAWN DATE	RELEASE DATE	DWG NO. / PART NO.	REV
B	3-21-03		ES-73	R7
SCALE	STF	DRAWN BY	MJG	REV DATE
				2-16-16