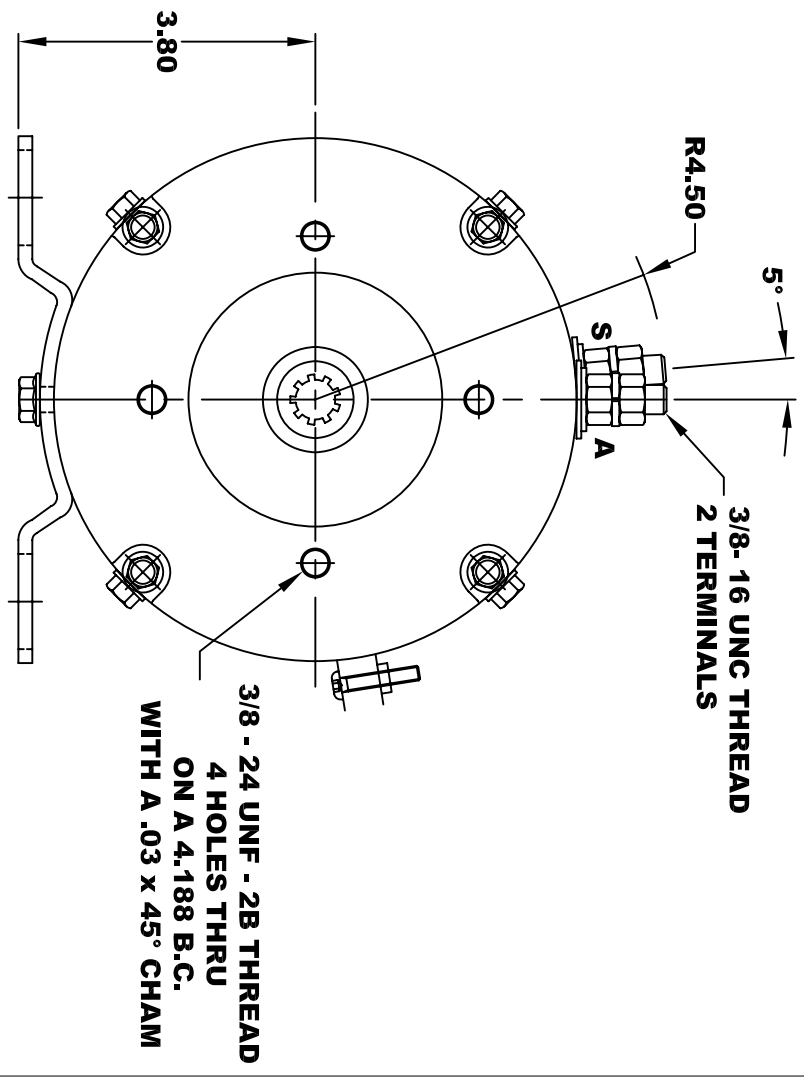
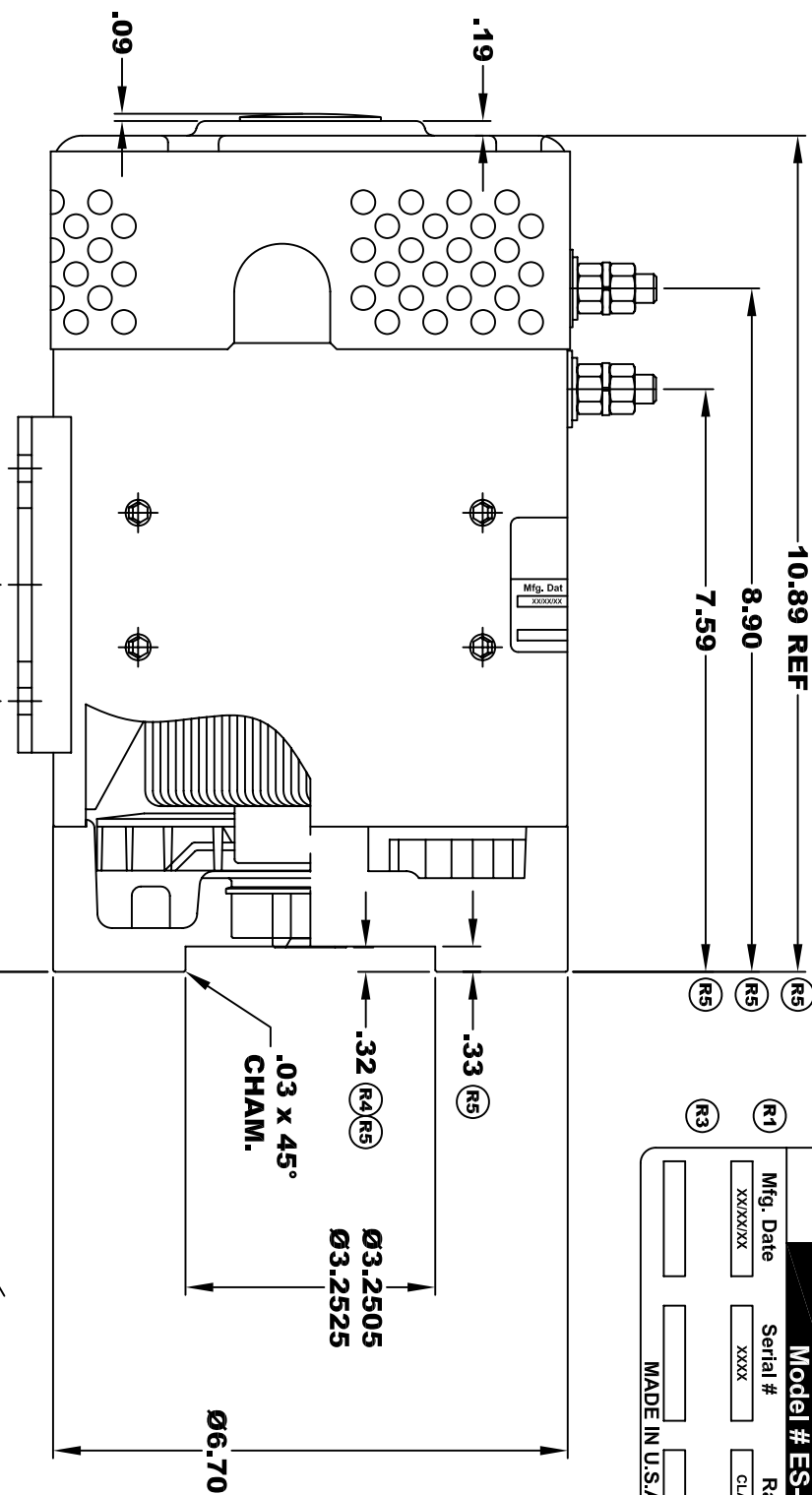


**D&D MOTOR SYSTEMS INC.**  
**SYRACUSE N.Y.**

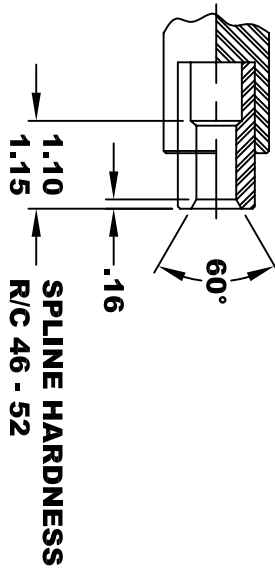
**Model # ES-78**

Mfg. Date	Serial #	Rating	Voltage
XX/XX/XX	XXXX	CLASS - H	24 / 36 / 48
MADE IN U.S.A.			

**TORQUE SPECIFICATION FOR  
 POWER CABLE SECURING TOP NUTS**  
 3/8 - 16 UNC - 140 IN / LBS MAX



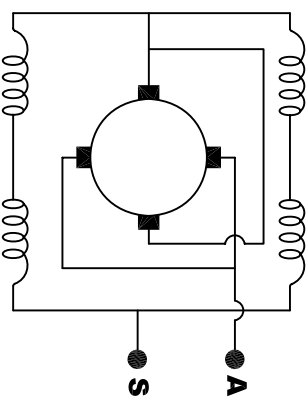
**INTERNAL INVOLUTE SPLINE SPECIFICATION**  
 FLAT ROOT SIDE FIT (PER A.N.S.I. B92.1 CLASS 5)



**CIRCULAR SPACE WIDTH**  
 MAX ACTUAL .1008  
 MIN EFFECTIVE .0982  
 MAX DIMENSION BETWEEN TWO PINS .3972  
 PIN Ø .1080

**NO. OF TEETH** 9  
**SPLINE PITCH** 16 / 32  
**PRESSURE ANGLE** 30°  
**BASE Ø** .4871 REF  
**PITCH Ø** .5625 REF  
**MAJOR Ø** .651  
**FORM Ø** .629  
**MINOR Ø** .509 - .514

⊙	.010	A
L	.010	B



**ELECTRICAL WIRING DIAGRAM**

**MOTOR WEIGHT: 53 LBS**  
 CLASS "H" INSULATION  
 PERFORMANCE SPEC: 42

**MOTOR WIRING CONNECTIONS:**  
 CW ROTATION DRIVE END  
 CONNECT ONE POWER CABLE TO TERMINAL A  
 CONNECT THE OTHER POWER CABLE TO TERMINAL S

**D & D MOTOR SYSTEMS INC**

**MOTOR OUTLINE**

THIS PRINT IS THE PROPERTY OF D&D MOTOR SYSTEMS INC.  
 DO NOT SCALE  
 WORK TO DIMENSIONS  
 TOLERANCES UNLESS OTHERWISE SPECIFIED ARE AS FOLLOWS  
 .XX .01  
 .XXX .005  
 .XX ROUGH CASTING .03  
 HOLES -.001 / +.006  
 ANGLES 0°30"

SIZE	DRAWN DATE	RELEASE DATE	DWG NO. / PART NO.	REV
B	5-22-03		ES-78	R5
SCALE	STF	DRAWN BY	MJG	REV DATE
				2-19-16