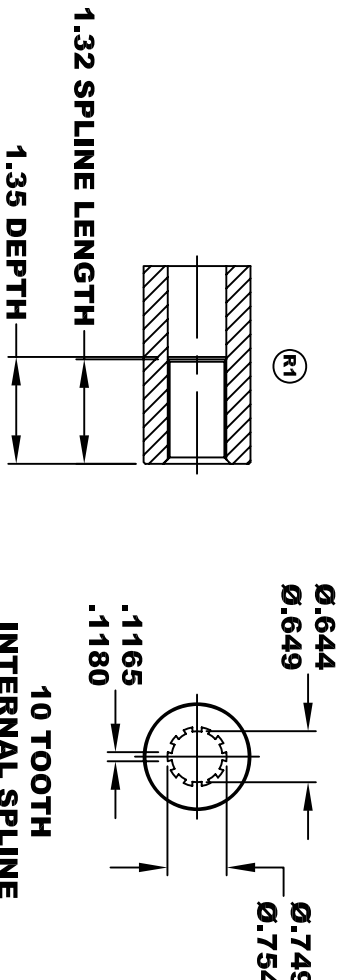
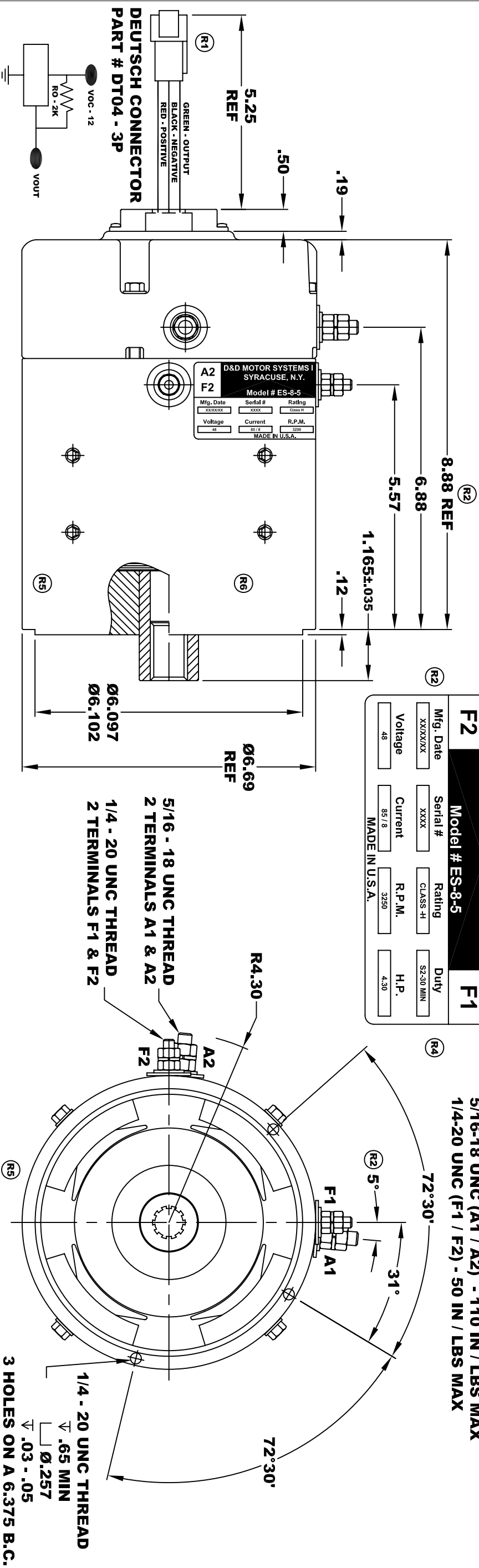
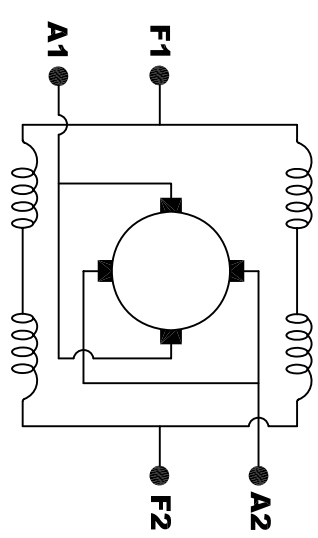
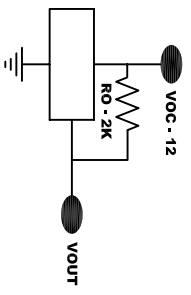


<b>D&amp;D MOTOR SYSTEMS INC.</b>				<b>A1</b>
<b>SYRACUSE N.Y.</b>				<b>F1</b>
<b>Model # ES-8-5</b>				
Mfg. Date	Serial #	Rating	Duty	
XXXXXX	XXXX	CLASS H	S2-30 MIN	
Voltage	Current	R.P.M.	H.P.	
48	85 / 8	3250	4.30	
MADE IN U.S.A.				



**SPEED SENSOR ELECTRICAL SPECIFICATION:**

- 4.5V TO 24V OPERATING VOLTAGE
- 20°C TO 85°C OPERATING TEMPERATURE
- CURRENT SINKING UP TO 25mA
- AN EXTERNAL OUTPUT PULL UP RESISTOR IS REQUIRED
- SENSOR IS DESIGNED TO OPERATE WITH 4 N/S POLEPAIRS
- THE OPERATIONAL DISTANCE BETWEEN THE MAGNET AND THE HOUSING, INCLUDING ANY RUNOUT SHOULD NOT EXCEED .030 INCHES



**ELECTRICAL WIRING DIAGRAM**

**MOTOR WIRING CONNECTIONS:**

**CW ROTATION DRIVE END**  
CONNECT A1 & F1 TO ONE BATTERY TERMINAL

**CCW ROTATION DRIVE END**  
CONNECT A2 & F2 TO OTHER BATTERY TERMINAL

**SWITCH F1 & F2 CONNECTIONS**

**TORQUE SPECIFICATION FOR POWER CABLE SECURING TOP NUTS**

5/16-18 UNC (A1 / A2) - 110 IN / LBS MAX

1/4-20 UNC (F1 / F2) - 50 IN / LBS MAX

**MOTOR WEIGHT 46 LBS**

**CLASS "H" INSULATION**

**PERFORMANCE SPEC: 5**

THIS PRINT IS THE PROPERTY OF D&D MOTOR SYSTEMS INC.  
DO NOT SCALE  
WORK TO DIMENSIONS  
TOLERANCES UNLESS OTHERWISE SPECIFIED ARE AS FOLLOWS

.XX \_\_\_\_\_ .01  
.XXX \_\_\_\_\_ .005  
.XX ROUGH CASTING \_\_\_\_\_ .03  
HOLES \_\_\_\_\_ -.001 / +.006  
ANGLES \_\_\_\_\_ 0°30'

<b>D &amp; D MOTOR SYSTEMS INC</b>			
<b>MOTOR OUTLINE</b>			
SIZE	DRAWN DATE	RELEASE DATE	DWG NO. / PART NO.
B	10-7-02		ES-8-5 (R3)
SCALE	STF	DRAWN BY	MJG
			REV DATE
			R6 4-26-13