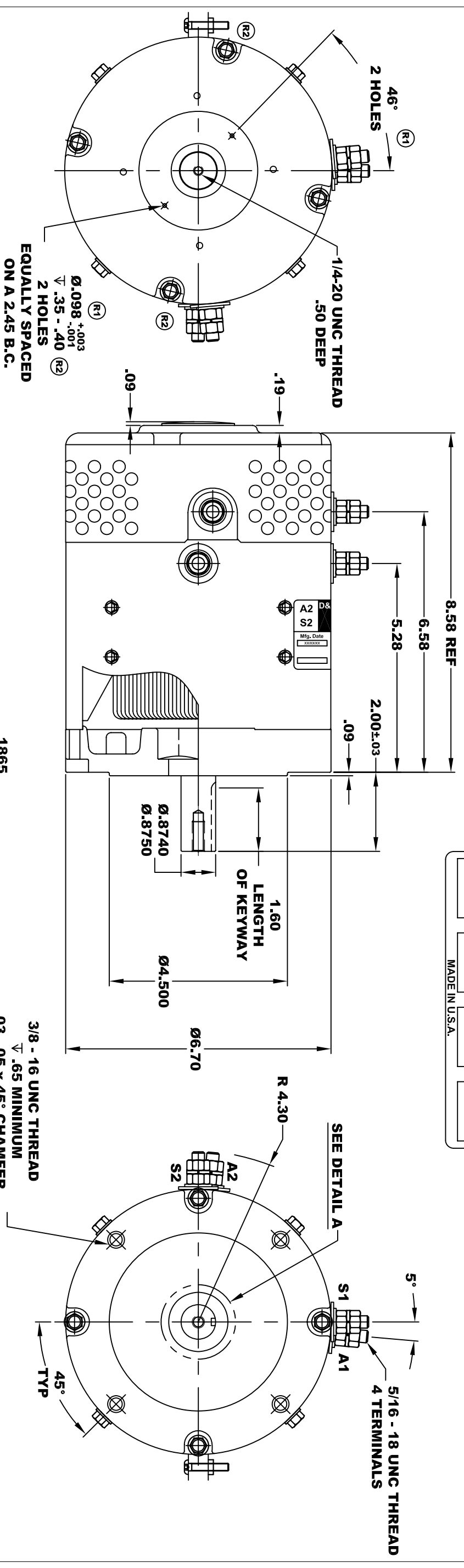


| | | | | | |
|-----------------------|-----------------------------------|-------------------|---------------|--|-----------|
| A2 | D&D MOTOR SYSTEMS INC. | | | | A1 |
| S2 | SYRACUSE N.Y. | | | | S1 |
| Model # ES-80A | | | | | |
| Mfg. Date XXXXXX | Serial # XXXX | Rating CLASS-H | Voltage XX | | |
| MADE IN U.S.A. | | | | | |

**TORQUE SPECIFICATION FOR
POWER CABLE SECURING TOP NUTS
5/16-18 UNC - 110 IN / LBS MAX**



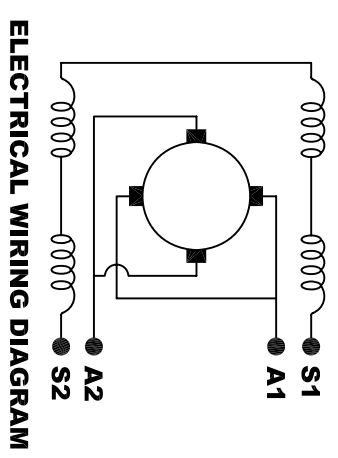
**MOTOR WEIGHT: 38 LBS
CLASS "H" INSULATION
PERFORMANCE SPEC: 36**

D & D MOTOR SYSTEMS INC

MOTOR OUTLINE

| | | | | |
|-------|------------|--------------|--------------------|----------|
| SIZE | DRAWN DATE | RELEASE DATE | DWG NO. / PART NO. | REV |
| B | 2-23-04 | | ES-80A | R2 |
| SCALE | STF | DRAWN BY | MJG | REV DATE |
| | | | | 9-3-08 |

MOTOR WIRING CONNECTIONS:
CW ROTATION DRIVE END
CONNECT S2 & A1 TOGETHER
CONNECT S1 TO OTHER BATTERY TERMINAL
CCW ROTATION DRIVE END
CONNECT A2 TO OTHER BATTERY TERMINAL
CONNECT S1 & S2 CONNECTIONS



THIS PRINT IS THE PROPERTY OF D&D MOTOR SYSTEMS INC.
DO NOT SCALE
WORK TO DIMENSIONS
TOLERANCES UNLESS OTHERWISE SPECIFIED ARE AS FOLLOWS
 .XX _____ .01
 .XXX _____ .005
 .XX ROUGH CASTING _____ .03
 HOLES _____ $-.001 / +.006$
 ANGLES _____ 0°30"