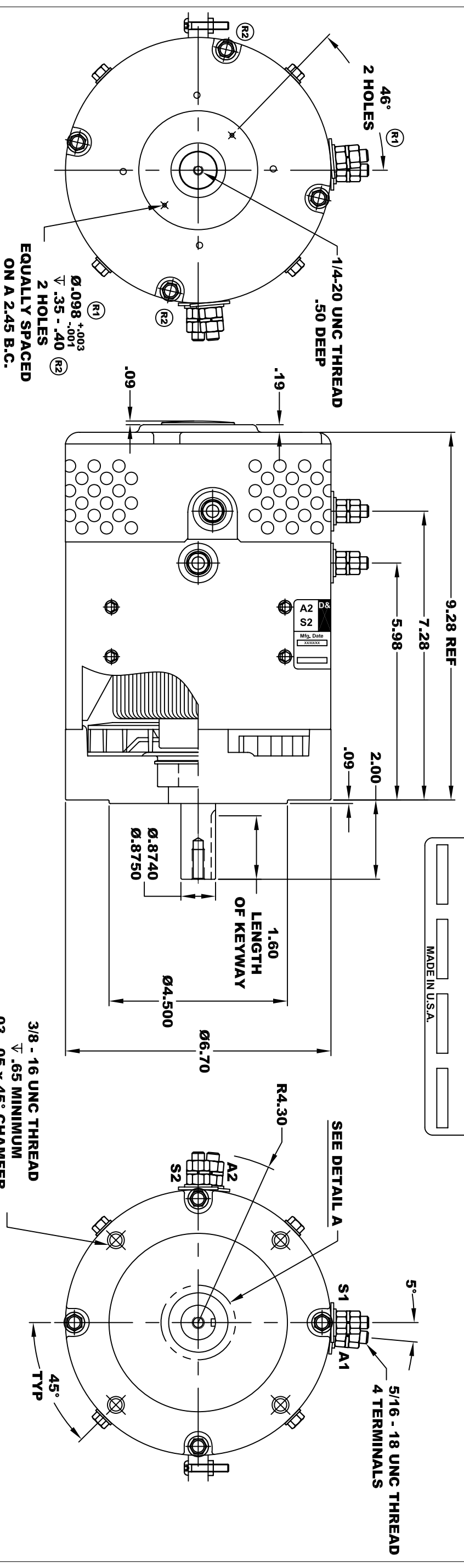


D&D MOTOR SYSTEMS INC.			
SYRACUSE N.Y.			
A2	A1		
S2	S1		
Model # ES-80B-36			
Mfg. Date XX/XX/XX	Serial # XXXX	Rating CLASS-H	Voltage 24/36
MADE IN U.S.A.			

**TORQUE SPECIFICATION FOR
POWER CABLE SECURING TOP NUTS
5/16-18 UNC - 110 IN / LBS MAX**



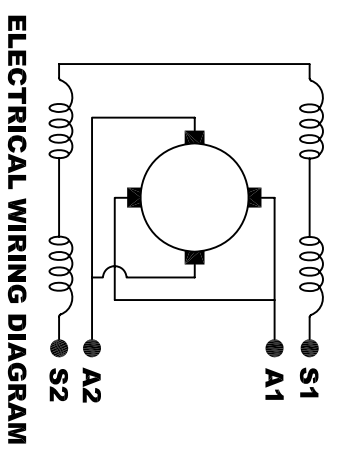
**MOTOR WEIGHT: 40 LBS
CLASS "H" INSULATION
PERFORMANCE SPEC: 36**

D & D MOTOR SYSTEMS INC

MOTOR OUTLINE

SIZE	DRAWN DATE	RELEASE DATE	DWG NO. / PART NO.	REV
B	3-3-04		ES-80B-36	R2
SCALE	STF	DRAWN BY	MJG	REV DATE
				9-3-08

MOTOR WIRING CONNECTIONS:
CW ROTATION DRIVE END
 CONNECT S2 & A1 TOGETHER
 CONNECT S1 TO BATTERY TERMINAL
CCW ROTATION DRIVE END
 CONNECT A2 TO OTHER BATTERY TERMINAL
 SWITCH S1 & S2 CONNECTIONS



THIS PRINT IS THE PROPERTY OF D&D MOTOR SYSTEMS INC.
 DO NOT SCALE
 WORK TO DIMENSIONS
 TOLERANCES UNLESS OTHERWISE SPECIFIED ARE AS FOLLOWS
 .XX _____ .01
 .XXX _____ .005
 .XX ROUGH CASTING _____ .03
 HOLES _____ -.001 / +.006
 ANGLES _____ 0°30"