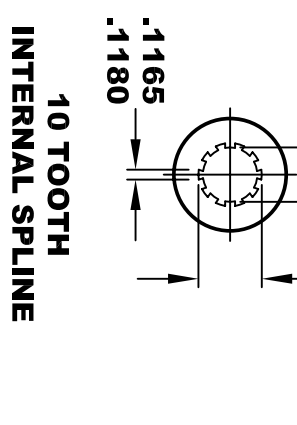
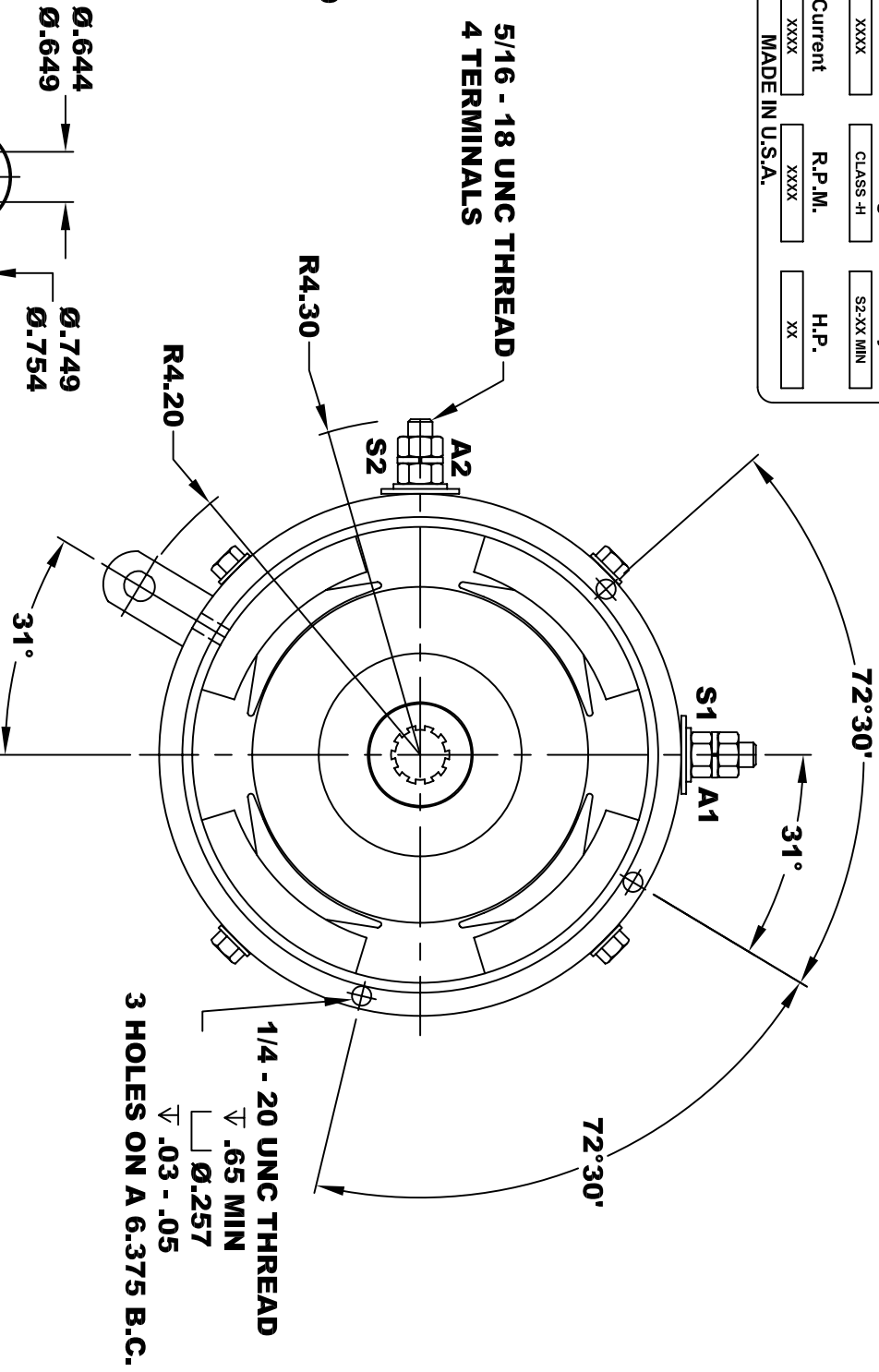
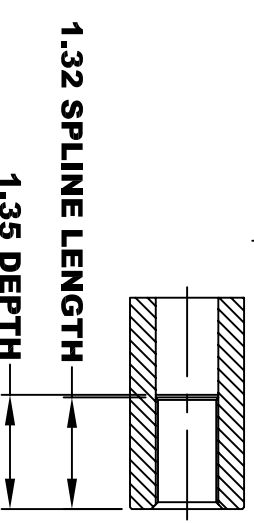
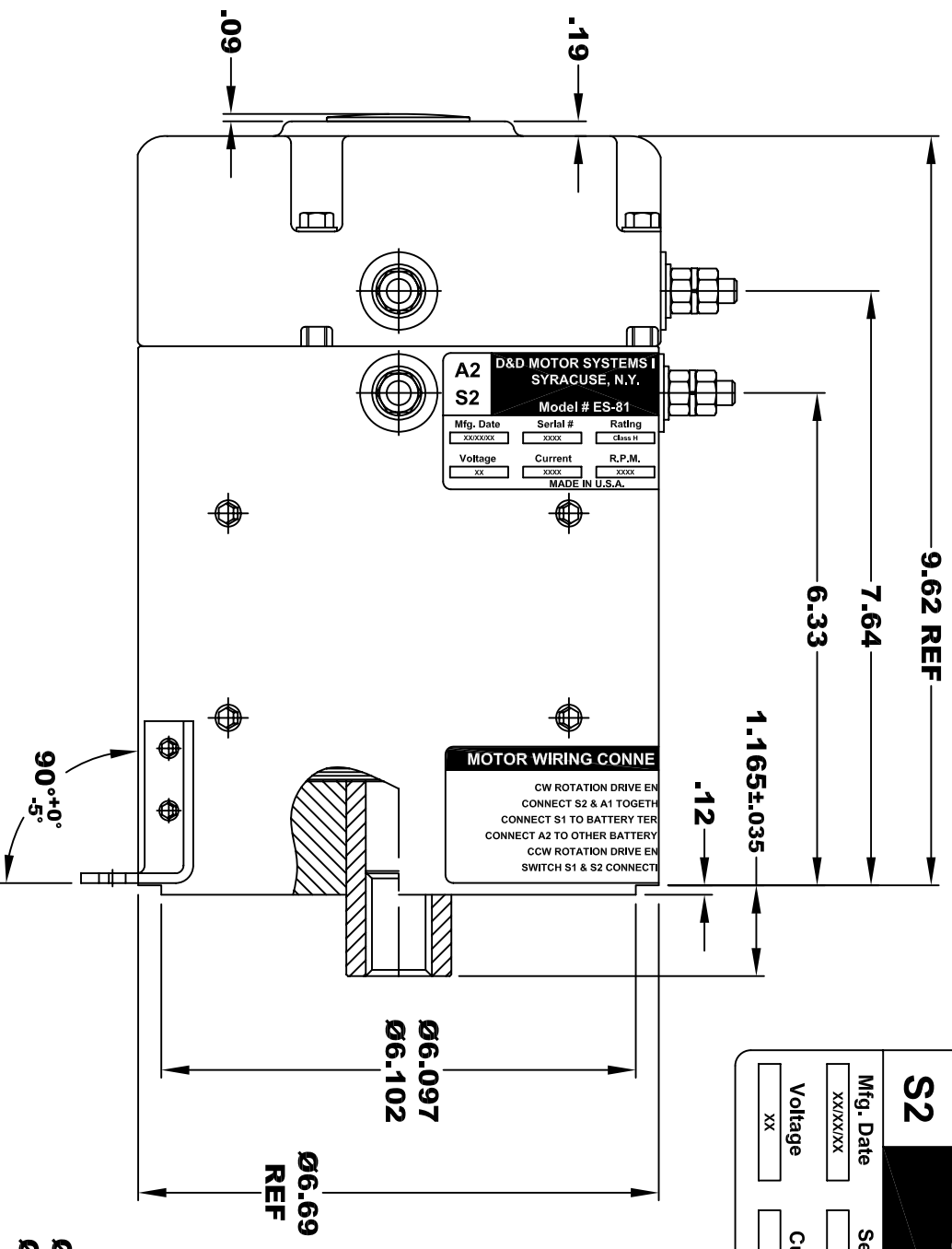
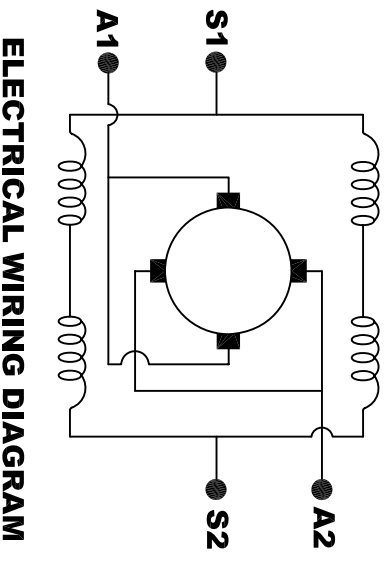


**TORQUE SPECIFICATION FOR
POWER CABLE SECURING TOP NUTS
5/16-18 UNC - 110 IN / LBS MAX**

D&D MOTOR SYSTEMS INC.			
SYRACUSE N.Y.			
A2		A1	
S2		S1	
Model # ES-81			
Mfg. Date	Serial #	Rating	Duty
xx/xx/xx	xxxx	CLASS -H	S2-XX MIN
Voltage	Current	R.P.M.	H.P.
xx	xxxx	xxxx	xx
MADE IN U.S.A.			



**MOTOR WEIGHT 54 LBS
CLASS "H" INSULATION
PERFORMANCE SPEC: 25**



MOTOR WIRING CONNECTIONS:
CW ROTATION DRIVE END
 CONNECT S2 & A1 TOGETHER
 CONNECT S1 TO BATTERY TERMINAL
CCW ROTATION DRIVE END
 SWITCH S1 & S2 CONNECTIONS

THIS PRINT IS THE PROPERTY OF D&D MOTOR SYSTEMS INC.
 DO NOT SCALE
 WORK TO DIMENSIONS
 TOLERANCES UNLESS OTHERWISE SPECIFIED ARE AS FOLLOWS

.XX	.01
.XXX	.005
.XX ROUGH CASTING	.03
HOLES	-.001 / +.006
ANGLES	0°30"

D & D MOTOR SYSTEMS INC			
MOTOR OUTLINE			
SIZE	DRAWN DATE	RELEASE DATE	DWG NO. / PART NO.
B	8-12-03		ES-81
SCALE	STF	DRAWN BY	MJG
			REV DATE