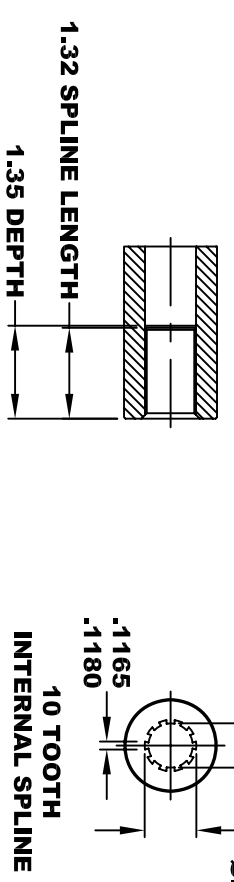
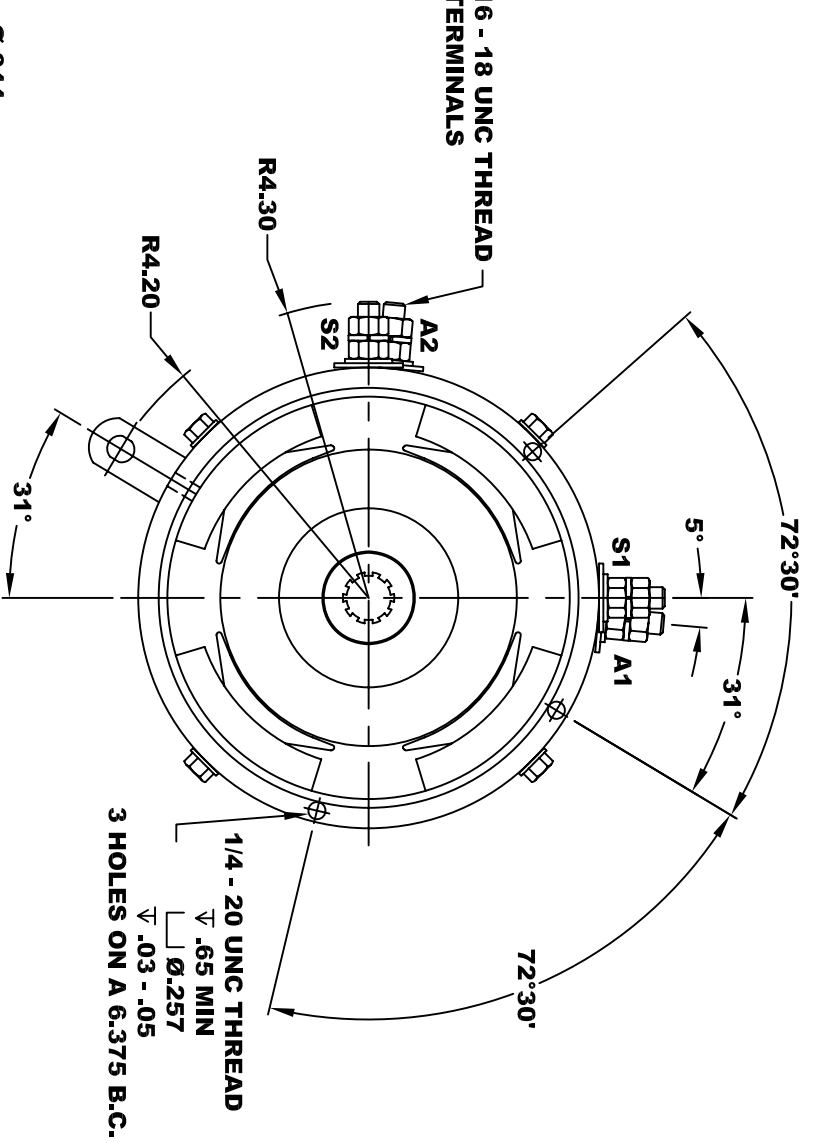
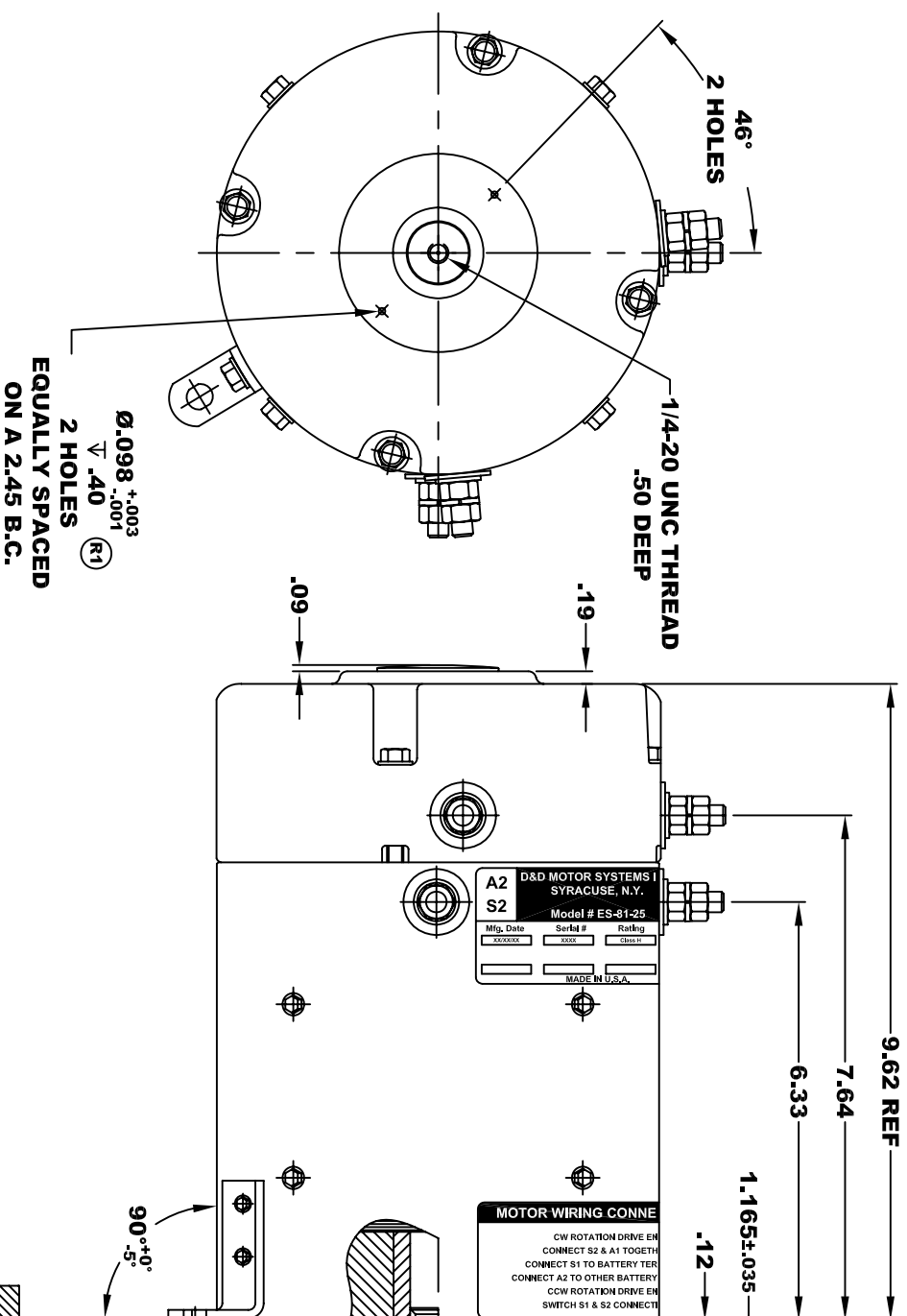
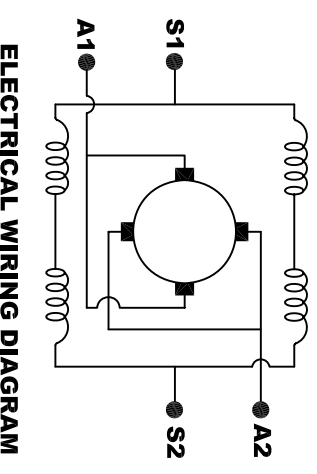


**TORQUE SPECIFICATION FOR
POWER CABLE SECURING TOP NUTS
5/16-18 UNC - 110 IN / LBS MAX**

D&D MOTOR SYSTEMS INC.			
A2		A1	
SYRACUSE N.Y.			
Model # ES-81-25			
Mfg. Date	Serial #	Rating	Voltage
XX/XX/XX	XXXX	CLASS-H	XX
MADE IN U.S.A.			



**MOTOR WEIGHT 54 LBS
CLASS "H" INSULATION
PERFORMANCE SPEC: 25**



MOTOR WIRING CONNECTIONS:
CW ROTATION DRIVE END
 CONNECT S2 & A1 TOGETHER
 CONNECT S1 TO BATTERY TERMINAL
CCW ROTATION DRIVE END
 CONNECT A2 TO OTHER BATTERY TERMINAL
 SWITCH S1 & S2 CONNECTIONS

THIS PRINT IS THE PROPERTY OF D&D MOTOR SYSTEMS INC.
 DO NOT SCALE
 WORK TO DIMENSIONS
 TOLERANCES UNLESS OTHERWISE SPECIFIED ARE AS FOLLOWS
 .XX _____ .01
 .XXX _____ .005
 .XX ROUGH CASTING _____ .03
 HOLES _____ -.001 / +.006
 ANGLES _____ 0°30'

D & D MOTOR SYSTEMS INC			
MOTOR OUTLINE			
SIZE	DRAWN DATE	RELEASE DATE	DWG NO. / PART NO.
6-16-05			ES-81-25
SCALE	STF	DRAWN BY	REV DATE
			9-3-08