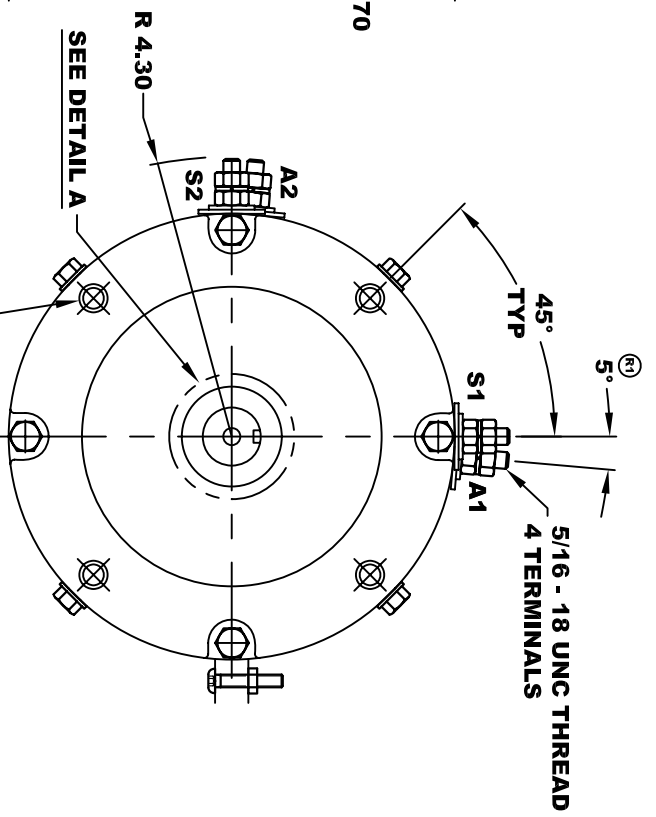
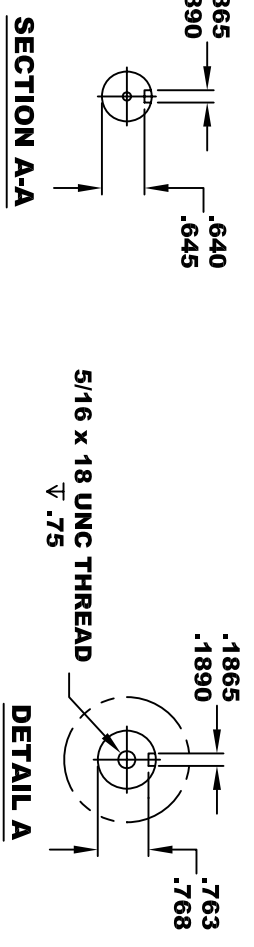
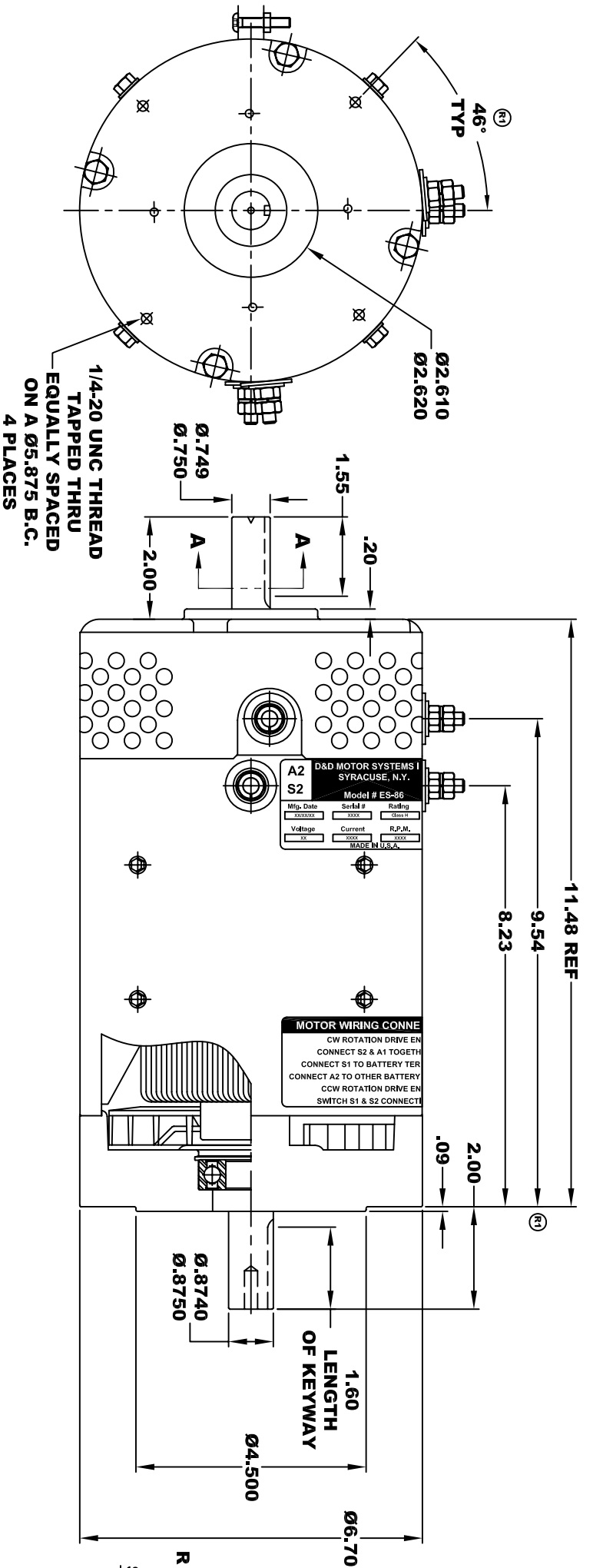
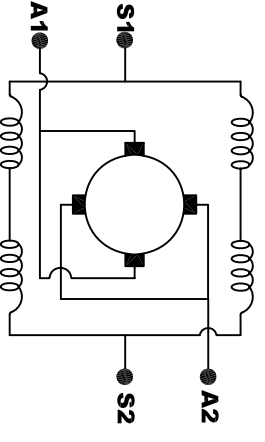


<b>A2</b>		<b>D&amp;D MOTOR SYSTEMS INC.</b>		<b>A1</b>	
<b>S2</b>		SYRACUSE N.Y.		<b>S1</b>	
Model # ES-86			Rating		
Mfg. Date	Serial #	CLASS HI	R.P.M.	SZ:XX MIN	Duty
XXXXXX	XXXX	XXXX	XXXX	XXXX	XXXX
Voltage	Current	MADE IN U.S.A.		H.P.	
XX	XXXX			XXXX	

**TORQUE SPECIFICATION FOR  
POWER CABLE SECURING TOP NUTS  
5/16-18 UNC - 110 IN / LBS MAX**



**MOTOR WEIGHT: 58 LBS  
CLASS "H" INSULATION  
PERFORMANCE SPEC: 11**



**MOTOR WIRING CONNECTIONS:**  
**CW ROTATION DRIVE END**  
 CONNECT S2 & A1 TOGETHER  
 CONNECT S1 TO BATTERY TERMINAL  
**CCW ROTATION DRIVE END**  
 CONNECT A2 TO OTHER BATTERY TERMINAL  
 SWITCH S1 & S2 CONNECTIONS

THIS PRINT IS THE PROPERTY OF D&D MOTOR SYSTEMS INC.  
 DO NOT SCALE  
 WORK TO DIMENSIONS  
 TOLERANCES UNLESS OTHERWISE SPECIFIED ARE AS FOLLOWS  
 .XX \_\_\_\_\_ .01  
 .XXX \_\_\_\_\_ .005  
 .XX ROUGH CASTING \_\_\_\_\_ .03  
 HOLES \_\_\_\_\_ -.001 / +.006  
 ANGLES \_\_\_\_\_ 0°30"

<b>D &amp; D MOTOR SYSTEMS INC</b>		<b>DRAWN DATE</b>		<b>RELEASE DATE</b>		<b>DWG NO. / PART NO.</b>		<b>REV</b>	
<b>MOTOR OUTLINE</b>		9-11-03				ES-86		R1	
<b>SCALE</b>		<b>STF</b>		<b>DRAWN BY</b>		<b>MJG</b>		<b>REV DATE</b>	
								11-24-03	