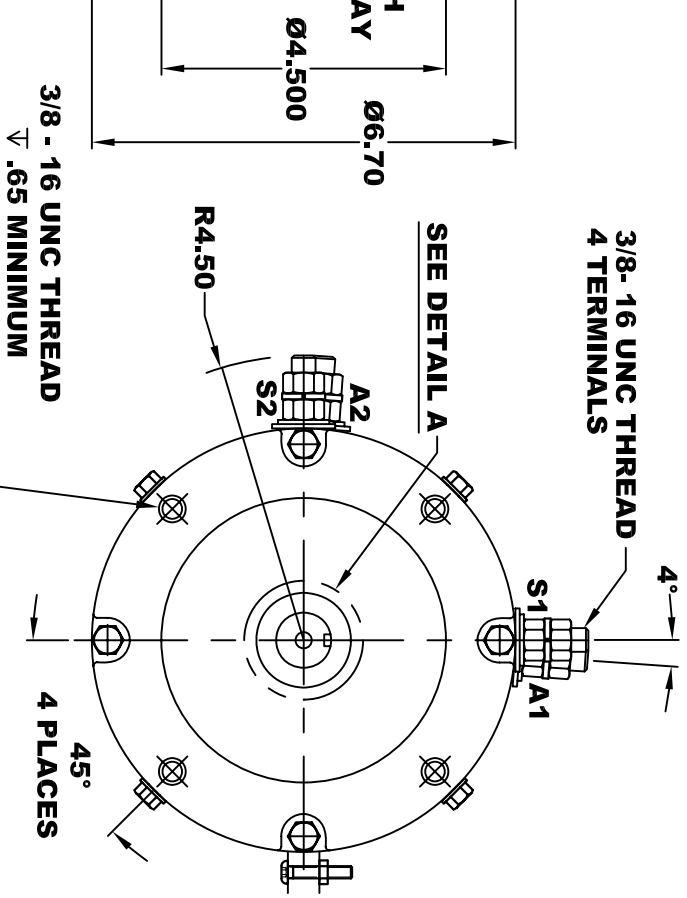
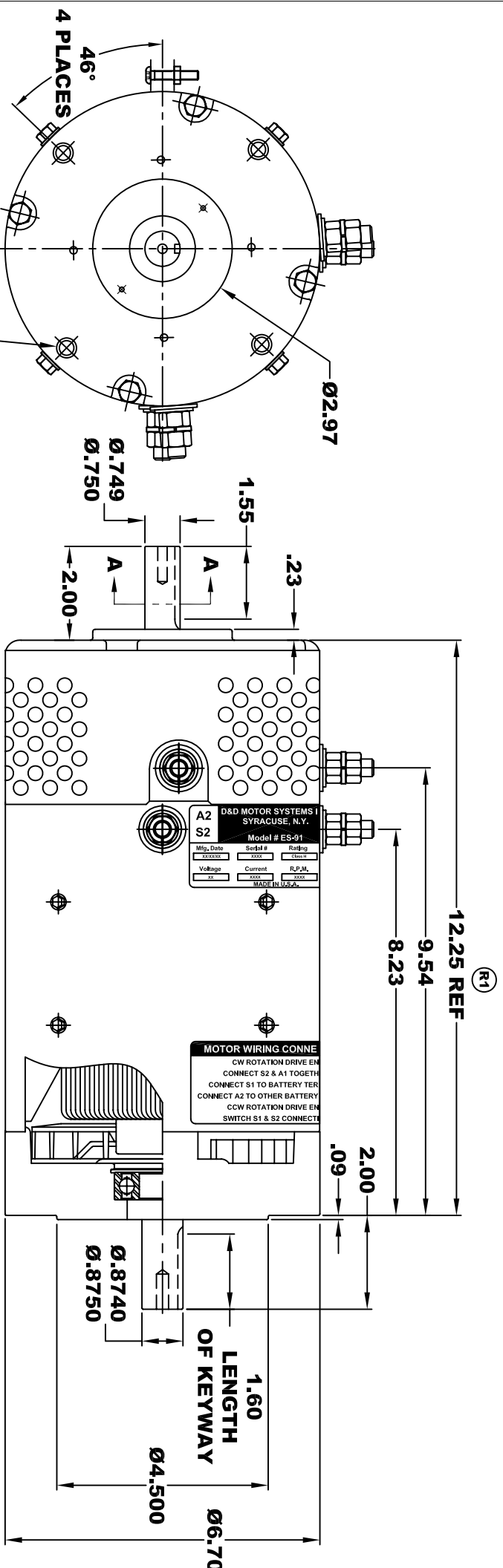
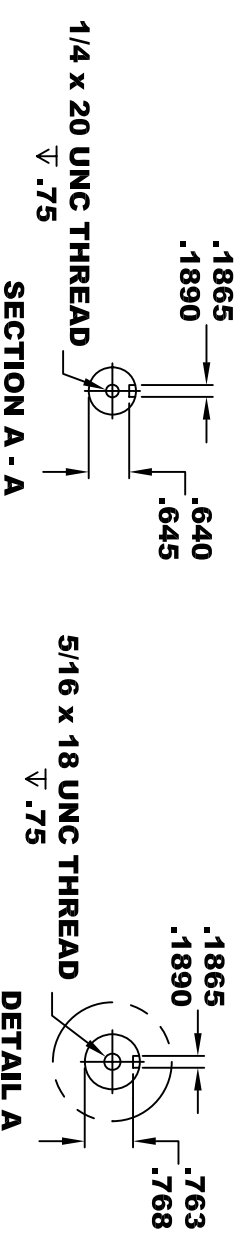


<b>A2</b>	<b>D&amp;D MOTOR SYSTEMS INC.</b>		<b>A1</b>
<b>S2</b>	SYRACUSE N.Y.		<b>S1</b>
<b>Model # ES-91</b>			
Mfg. Date	Serial #	Rating	Duty
xxxx/xx	xxxx	CLASS -H-	S2XX MIN
Voltage	Current	R.P.M.	H.P.
xx	xxxx	xxxx	xxxx
MADE IN U.S.A.			

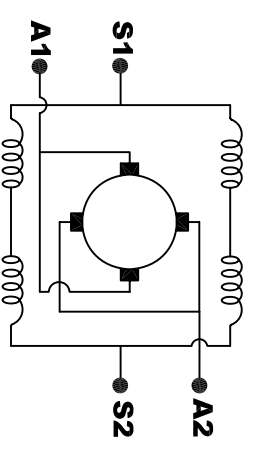
**TORQUE SPECIFICATION FOR  
POWER CABLE SECURING TOP NUTS**  
3/8-16 UNC - 140 IN / LBS MAX



3/8 - 16 UNC THREAD  
▽ .65 MINIMUM  
.03 -.05 x 45° CHAMFER  
4 PLACES, ON A Ø5.875 B. C.



**MOTOR WEIGHT: 60 LBS**  
**CLASS "H" INSULATION**  
**PERFORMANCE SPEC: 11**



**ELECTRICAL WIRING DIAGRAM**

**MOTOR WIRING CONNECTIONS:**  
**CW ROTATION DRIVE END**  
CONNECT S2 & A1 TOGETHER  
CONNECT S1 TO BATTERY TERMINAL  
CONNECT A2 TO OTHER BATTERY TERMINAL  
**CCW ROTATION DRIVE END**  
SWITCH S1 & S2 CONNECTIONS

THIS PRINT IS THE PROPERTY OF D&D MOTOR SYSTEMS INC.  
DO NOT SCALE  
WORK TO DIMENSIONS  
TOLERANCES UNLESS OTHERWISE SPECIFIED ARE AS FOLLOWS  
.XX \_\_\_\_\_ .01  
.XXX \_\_\_\_\_ .005  
.XX ROUGH CASTING \_\_\_\_\_ .03  
HOLES \_\_\_\_\_ -.001 / +.006  
ANGLES \_\_\_\_\_ 0°30"

<b>D &amp; D MOTOR SYSTEMS INC</b>			
<b>MOTOR OUTLINE</b>			
SIZE	DRAWN DATE	RELEASE DATE	DWG NO. / PART NO.
B	1-15-03		ES-91
SCALE	STF	DRAWN BY	REV DATE
		MJG	5-26-04
			REV
			R1