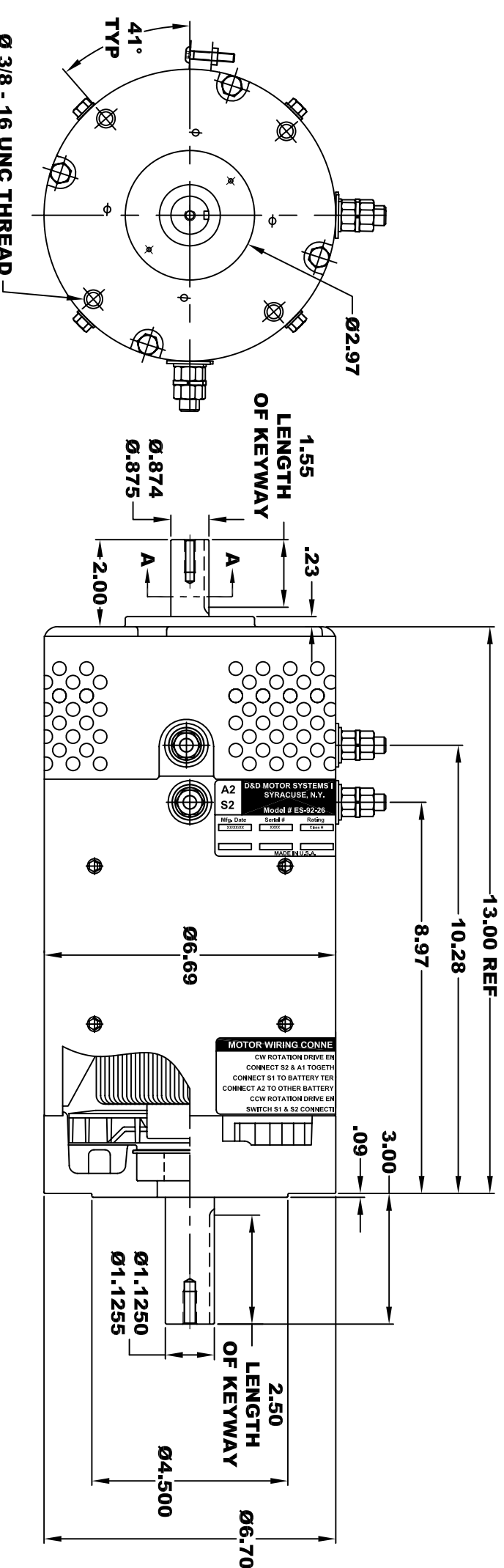
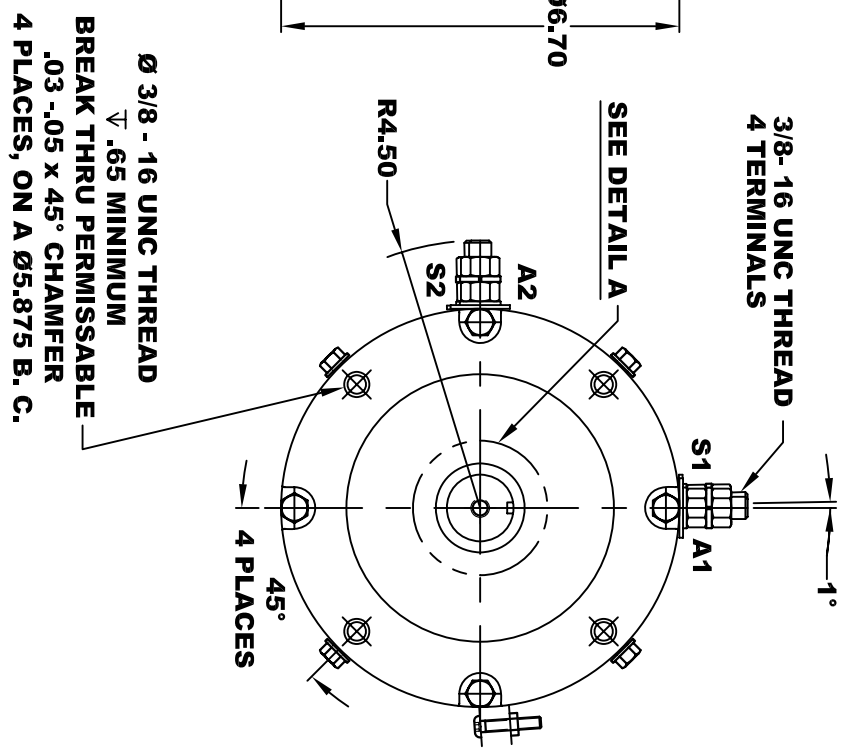
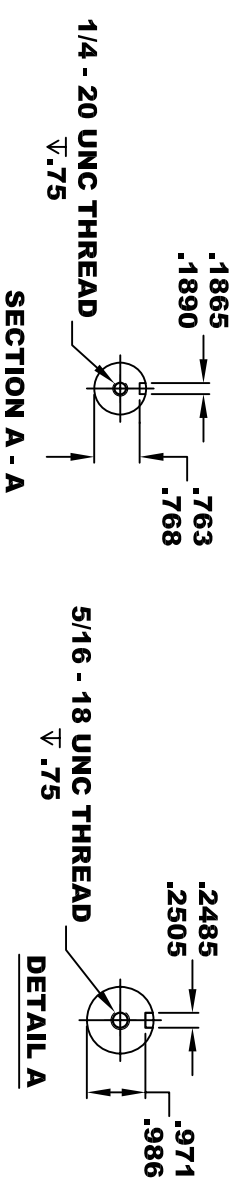


A2		D&D MOTOR SYSTEMS INC.		A1	
S2		SYRACUSE N.Y.		S1	
Model # ES-92-26					
Mfg. Date	Serial #	Rating	Voltage		
XXXXXX	XXXX	CLASS H	XX		
MADE IN U.S.A.					

**TORQUE SPECIFICATION FOR
POWER CABLE SECURING TOP NUTS
3/8-16 UNC - 140 IN / LBS MAX**



**Ø 3/8 - 16 UNC THREAD
TAPPED THRU
.03 -.05 x 45° CHAMFER
4 PLACES, ON A Ø5.875 B. C.**



**Ø 3/8 - 16 UNC THREAD
∇ .65 MINIMUM
BREAK THRU PERMISSABLE
.03 -.05 x 45° CHAMFER
4 PLACES, ON A Ø5.875 B. C.**

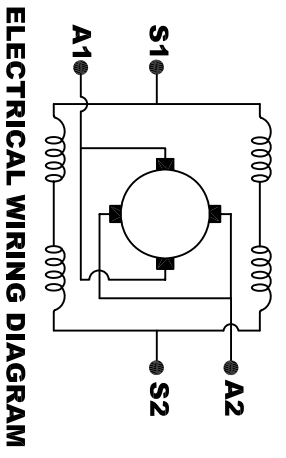
**MOTOR WEIGHT: 68 LBS
CLASS "H" INSULATION
PERFORMANCE SPEC: 26**

D & D MOTOR SYSTEMS INC

MOTOR OUTLINE

THIS PRINT IS THE PROPERTY OF D&D MOTOR SYSTEMS INC.
DO NOT SCALE
WORK TO DIMENSIONS
TOLERANCES UNLESS OTHERWISE SPECIFIED ARE AS FOLLOWS
.XX _____ .01
.XXX _____ .005
.XX ROUGH CASTING _____ .03
HOLES _____ -.001 / +.006
ANGLES _____ 0°30"

SIZE	DRAWN DATE	RELEASE DATE	DWG NO. / PART NO.	REV
B	6-14-05		ES-92-26	
SCALE	STF	DRAWN BY	MJG	REV DATE



**MOTOR WIRING CONNECTIONS:
CW ROTATION DRIVE END
CONNECT S2 & A1 TOGETHER
CONNECT S1 TO BATTERY TERMINAL
CCW ROTATION DRIVE END
CONNECT A2 TO OTHER BATTERY TERMINAL
SWITCH S1 & S2 CONNECTIONS**

ELECTRICAL WIRING DIAGRAM