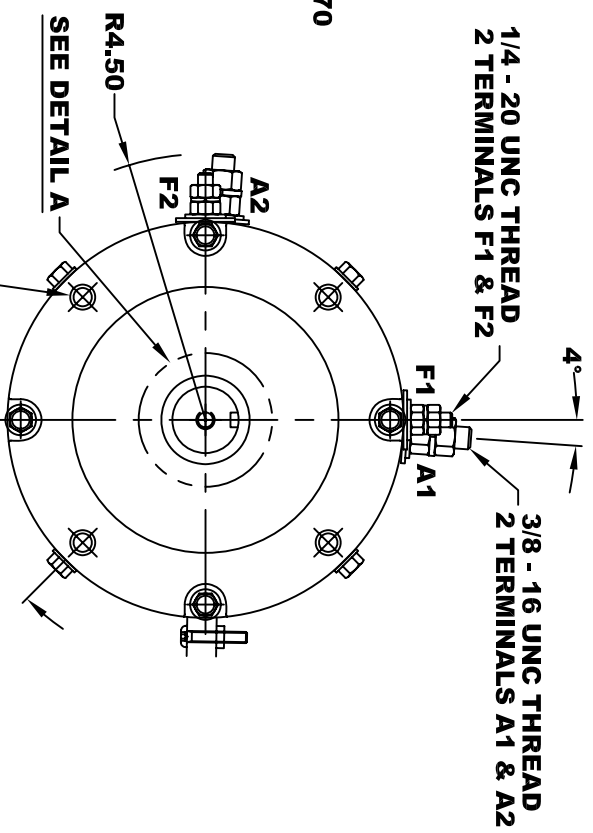
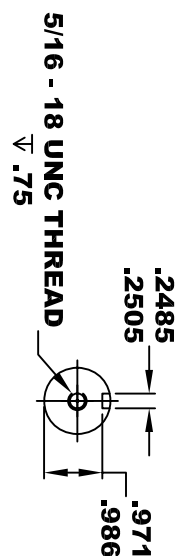
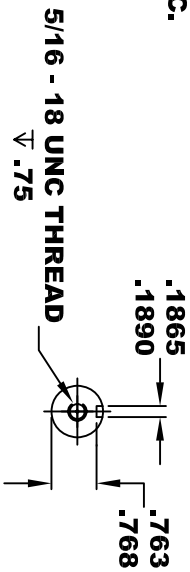
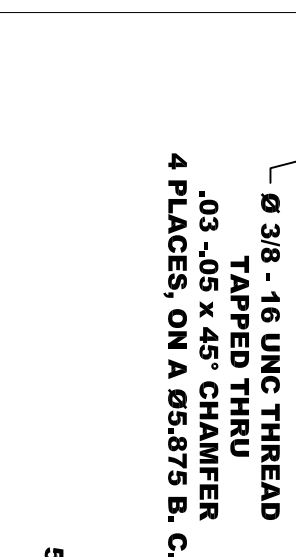
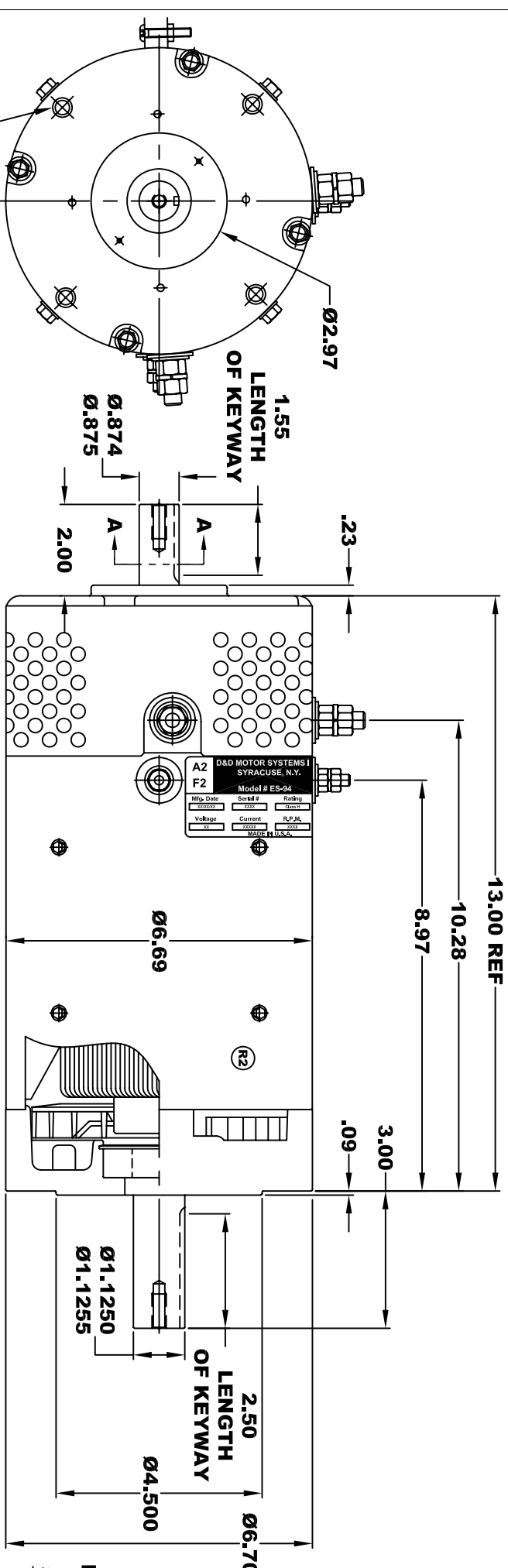
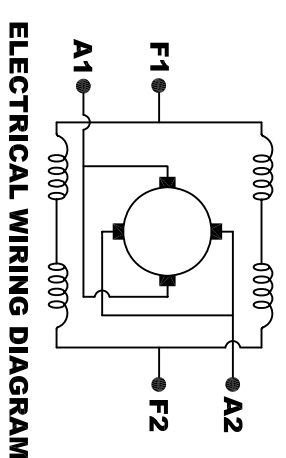


<b>D&amp;D MOTOR SYSTEMS INC.</b>				<b>A1</b>
SYRACUSE N.Y.				<b>F1</b>
<b>Model # ES-94</b>				
Mfg. Date	Serial #	Rating	Duty	
XXXXXX	XXXX	Class H	Sz. XX MIN	
Voltage	Current	R.P.M.	H.P.	
XX	XXXXX	XXXX	XX	
MADE IN U.S.A.				

**TORQUE SPECIFICATION FOR  
POWER CABLE SECURING TOP NUTS**  
**3/8-16 UNC (A1 / A2) - 140 IN / LBS MAX**  
**1/4-20 UNC (F1 / F2) - 50 IN / LBS MAX**



**MOTOR WEIGHT: 68 LBS**  
**CLASS "H" INSULATION**  
**PERFORMANCE SPEC: 7**



**MOTOR WIRING CONNECTIONS:**  
**CW ROTATION DRIVE END**  
**CONNECT A1 & F1 TO ONE BATTERY TERMINAL**  
**CONNECT A2 & F2 TO OTHER BATTERY TERMINAL**  
**CCW ROTATION DRIVE END**  
**SWITCH F1 & F2 CONNECTIONS**

THIS PRINT IS THE PROPERTY OF D&D MOTOR SYSTEMS INC.  
 DO NOT SCALE  
 WORK TO DIMENSIONS  
 TOLERANCES UNLESS OTHERWISE SPECIFIED ARE AS FOLLOWS

.XX \_\_\_\_\_ .01  
 .XXX \_\_\_\_\_ .005  
 .XX ROUGH CASTING \_\_\_\_\_ .03  
 HOLES \_\_\_\_\_ -.001 / +.006  
 ANGLES \_\_\_\_\_ 0°30"

<b>D &amp; D MOTOR SYSTEMS INC</b>			
<b>MOTOR OUTLINE</b>			
SIZE	DRAWN DATE	RELEASE DATE	DWG NO. / PART NO.
B	1-30-04		ES-94
SCALE	STF	DRAWN BY	MJG
		REV DATE	5-24-13
		REV	R2