

D&D Motor Systems - 200A Main Solenoid



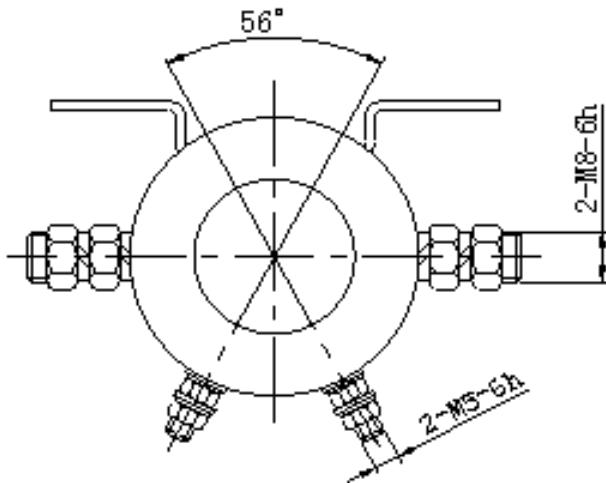
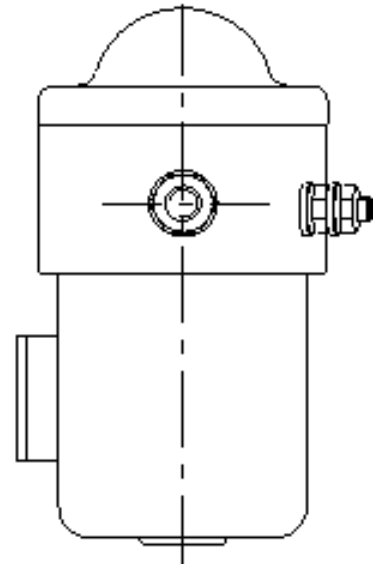
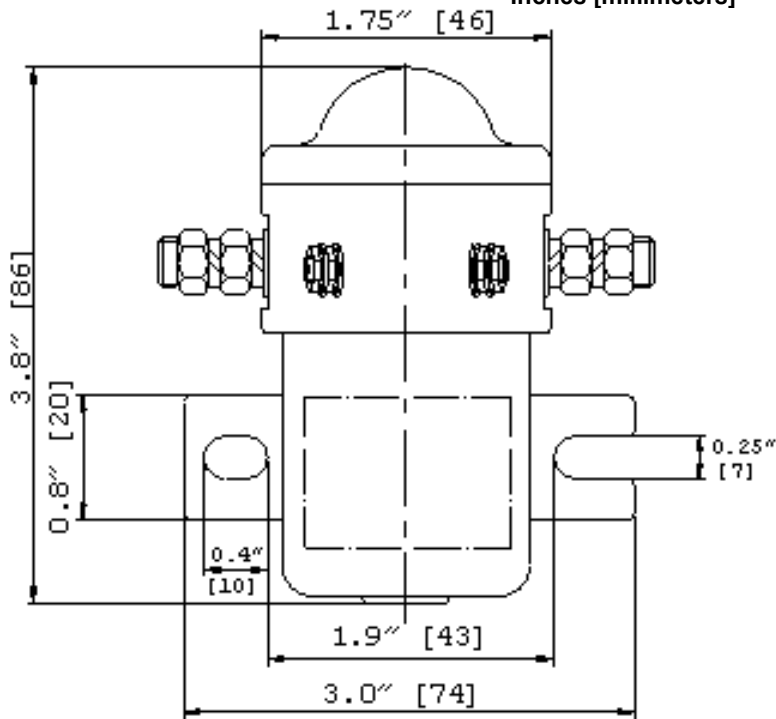
Specifications

Product code	SOL-24V-200A	SOL-36V-200A	SOL-48V-200A
Rated coil voltage (V DC)	24V	36V	48V
Max. coil current under rated volt at 20 °C (A)	0.35A	0.26A	0.26A
Max. coil start current in cold state at 20 °C (A)	6.5A	N/A	3.5A
Rated voltage of contact circuit (VDC)	48V	48V	48V
Operating voltage in cold state at (20 ± 5)°C (VDC) Pickup	13.5V	24V	22V
Operating time in cold state at (20 ± 5)°C (VDC) Release	1.4 min	3 min	2.4 min
Typical coil dropout voltage	± 20% rated volt	± 20% rated volt	± 20% rated volt
Typical fault currents than can be interrupted (5ms time constant)	800A	800A	800A
Main contact close time	30ms	30ms	30ms
Typical Contact bounce period	3ms	3ms	3ms
Voltage drop per 100A	80mv	80mv	80mv
Breakdown voltage	50hz, 1000VAC, 1 min	50hz, 1000VAC, 1 min	50hz, 1000VAC, 1 min
Electrical cycles	10,000 cycles	10,000 cycles	10,000 cycles
Working Duty	Continuous	Continuous	Continuous
Operating Ambient Temperatures	-25C to 40C	-25C to 40C	-25C to 40C
Relative Humidity	Up to 98% at 20C	Up to 98% at 20C	Up to 98% at 20C
Vibration frequency in mounted position	1-50Hz	1-50Hz	1-50Hz
Shock Rating	1G	1G	1G
Mounting Direction	Horizontal	Horizontal	Horizontal

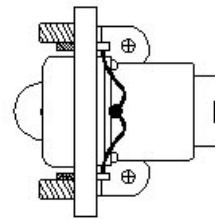
D&D Motor Systems - 200A Main Solenoid

Dimensions

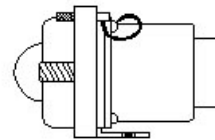
Inches [millimeters]



Mount Horizontal



Wall



Flat